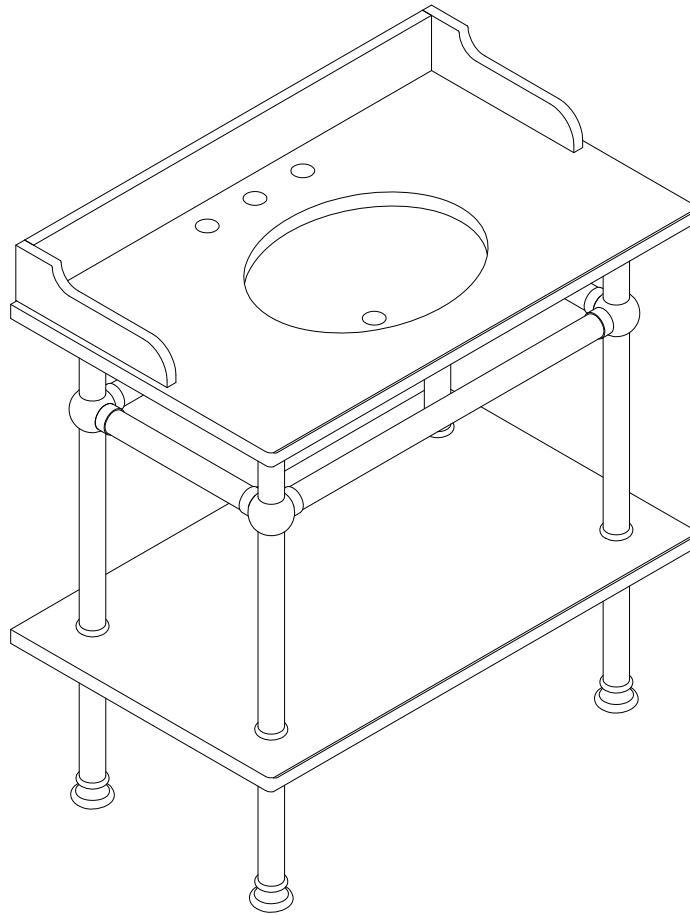


# POTTERYBARN

## APOTHECARY SINK

### ASSEMBLY INSTRUCTIONS

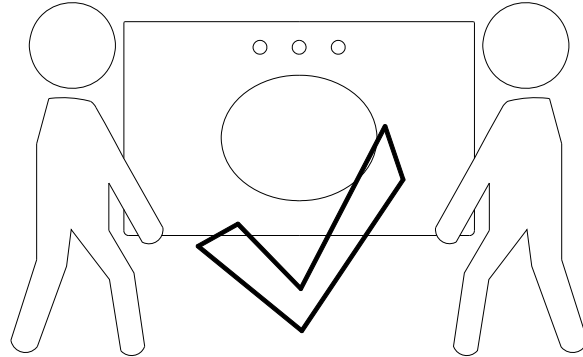


**Important Safety Instructions:**

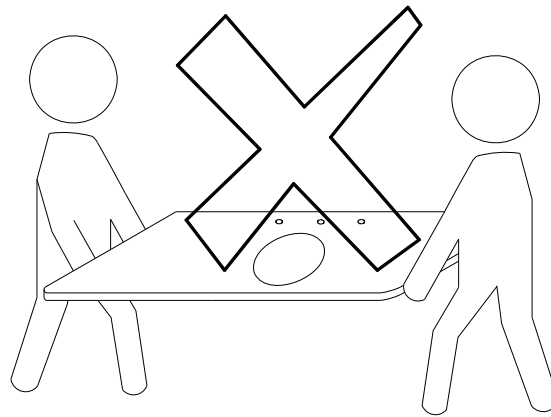
Keep natural stone materials in its packaging until installation and store on its edge.

**CAUTION:** When removing natural stone product from its package, always ensure it is removed vertically on its long edge.

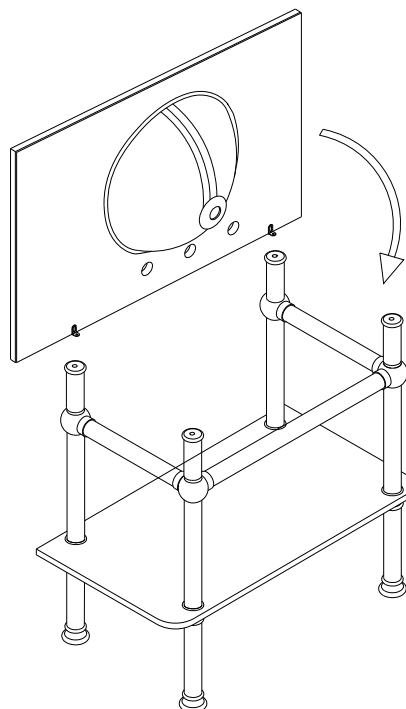
- Always carry natural stone product vertically on its long edge.



- Carrying natural stone flat WILL cause them to crack or break.



- Place top as close as possible to the final desired location.



- **NOTE:** Avoid moving the top after it has been set into place.

- **PROFESSIONAL INSTALLATION REQUIRED - Contractor and Plumber needed for Installation.**
- Please read all instructions carefully before assembling.
- For your safety, assembly by two or more adults is strongly recommended.
- Keep instructions for future use.
- Use only vendor supplied hardware to assemble. Using unauthorized hardware could jeopardize the structural integrity of the item.
- The mounting hardware included with this item is meant for dry wall/stud mounting only. If your walls are made from something other than drywall or wood such as concrete, brick or plaster, please consult your local hardware store for assistance in selecting the appropriate hardware. This item is secured to the wall using either expanding anchors and screws for drywall or just the screws if a mounting hole happens to align with a wall stud.

**Pre-assembly:**

- Remove all parts and hardware from the box and lay out on a clear carpeted or scratch-free work surface, as this will avoid damaging parts during assembly. The shipping box provides an ideal work surface.
- Do not dispose of any packaging or contents of the shipping carton until assembly is completed to avoid accidentally discarding small parts or hardware.
- Use the parts and hardware lists below to identify and separate each of the pieces included.
- The illustrations provided allow for easier assembly when used in conjunction with the assembly instructions.
- The use of power tools to aid in assembly is not recommended. Power tools can damage hardware and split wood.
- **Keep all parts out of the reach of children.**
- **A standard 8" spread faucet should be used with this Marble top console.**

**Note:** The Marble top is fragile. In order to preserve its integrity, it is important to limit the amount of handling it gets. Due to the nature of this natural material, slight chipping or cracking may result with excessive handling or if placed on a hard surface.

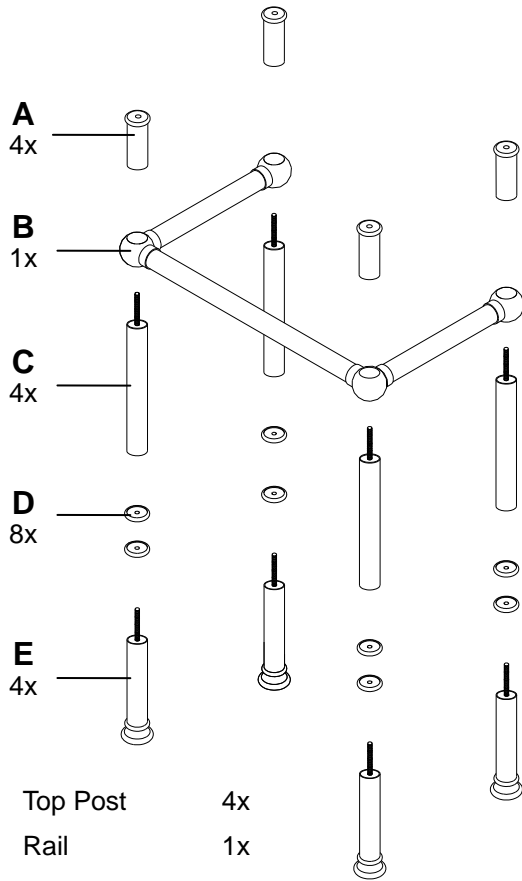
The Marble top, even when it is still packed, should never lie flat, except for when it is placed on top of the console or during unpacking. Please note that arrows on the package indicate the side to be placed up while storing.

Marble should be unpacked with extreme care. Once unpacked, the marble top should be placed directly on top of the console. If placing down, marble top should only be placed on its end and on a very soft, cushioned surface such as a rug or thick toweling.

**Note:** Consoles usually need to be leveled and mounted to both wall and floor. Some hardware items needed for proper assembly and installation are not included: ex. shim, spacer, high quality silicone or acrylic based bath sealant, etc. **DO NOT USE PLUMBERS PUTTY OR ANY OIL BASED SEALANT AS THIS WILL STAIN THE MARBLE.**

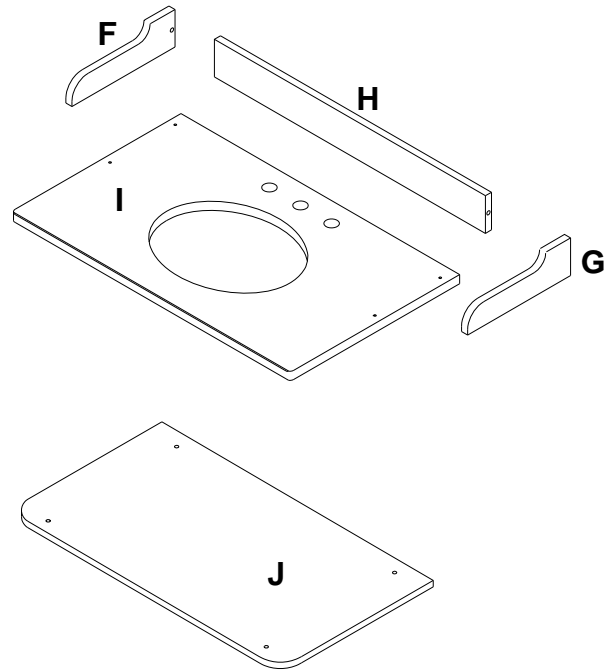
**Note:** Some cutting and drilling may be necessary to mount console base to wall or to shape shelves for under-sink hardware or plumbing.

**Parts Included (Box 1 of 3):**



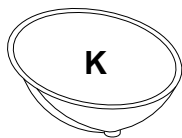
- (A) Top Post 4x
- (B) Rail 1x
- (C) Mid Post 4x
- (D) Knuckles 8x
- (E) Bottom Post 4x

**Parts Included (Box 2 of 3):**



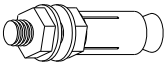
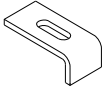
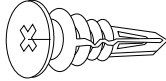
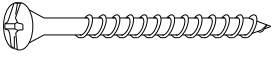
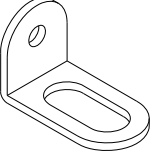
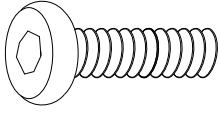
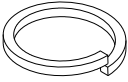
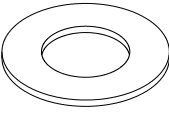

- (F) Left Side Splash 1x
- (G) Right Side Splash 1x
- (H) Back Splash 1x
- (I) Marble Countertop 1x
- (J) Marble Shelf 1x

**Parts Included (Box 3 of 3):**



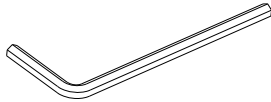
- (K) Basin 1x

**Hardware Included (Box 2 of 3):**

<p>(L) Anchor</p>  <p>4x</p>	<p>(M) L Shape Bracket</p>  <p>4x</p>	<p>(N) Toggle</p>  <p>2x</p>	<p>(O) Toggle Screw</p>  <p>Dia. 4 x 38mm 2x</p>	
<p>(P) Bracket</p>  <p>2x</p>	<p>(Q) Bolt</p>  <p>Dia. 1/4 x 1/2" 2x</p>	<p>(R) Spring Washer</p>  <p>Dia. 1/4" 2x</p>	<p>(S) Flat Washer</p>  <p>Dia. 1/4" 2x</p>	<p>(T) Rust Proof Dowel</p>  <p>Dia. 6 x 30mm 6x</p>

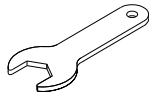
**Tools Required (Included):**

(U)

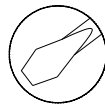


Allen Wrench

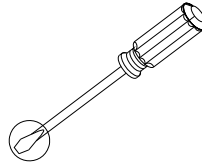
**Tools Required (Not Included):**



Open Wrench



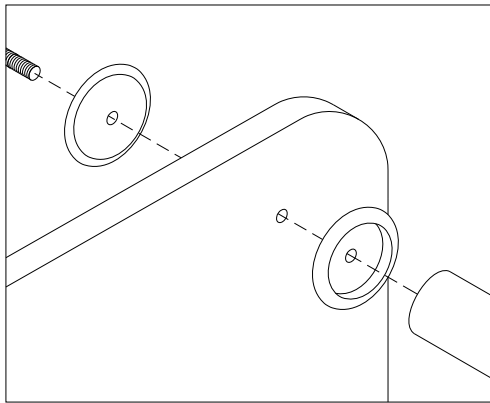
Flat Head Screwdriver



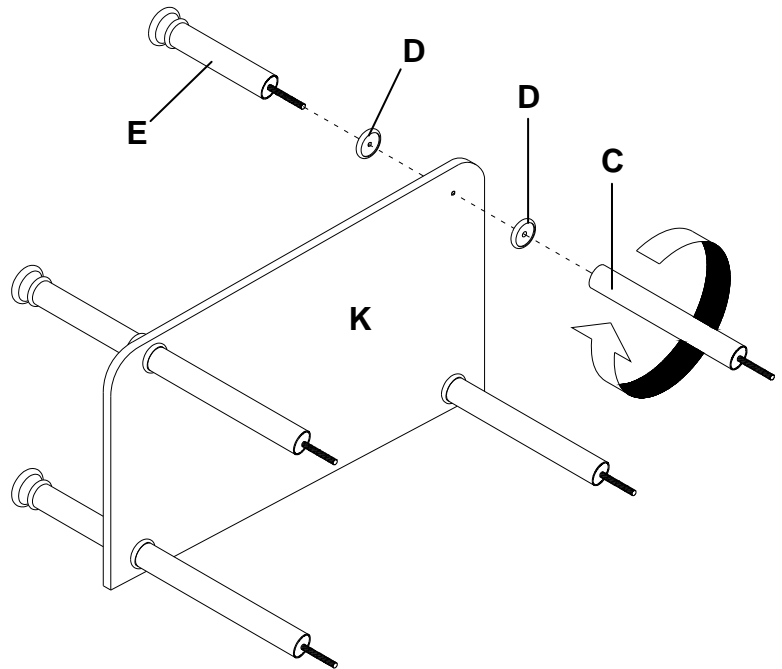
Phillips Head Screwdriver

**Assembly Instruction Steps:**

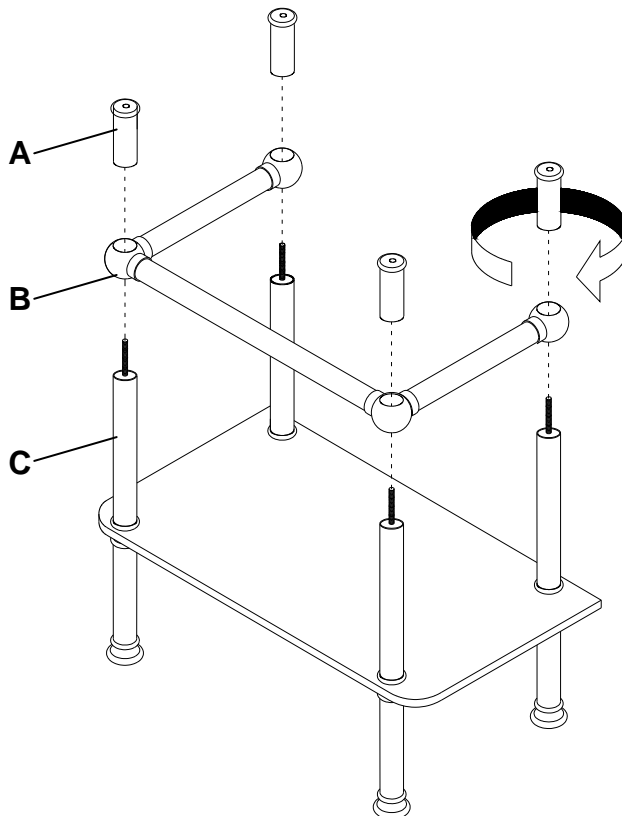
1. Screw the bottom post (E) through the Knuckles (D) and marble shelf (K) into the hole of mid post (C) as shown. Repeat the step to other 3 sets.



**Note:** The smooth side of knuckles towards the marble, the countersunk side towards the post.

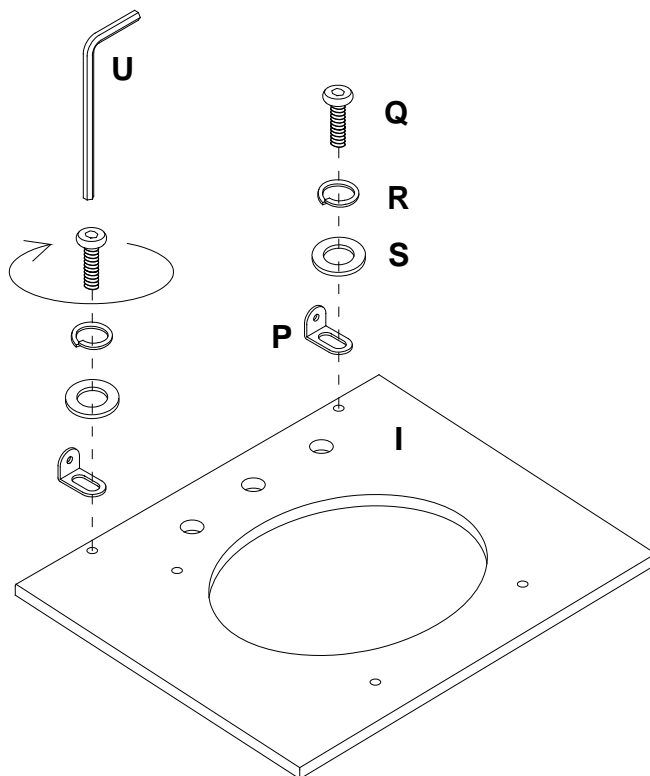


2. Carefully stand assembly upright. Attach rail (B) to the base assembly. Screw the top post (A) through the rail (B) to mid post (C) as shown. Repeat the step to other 3 sets.

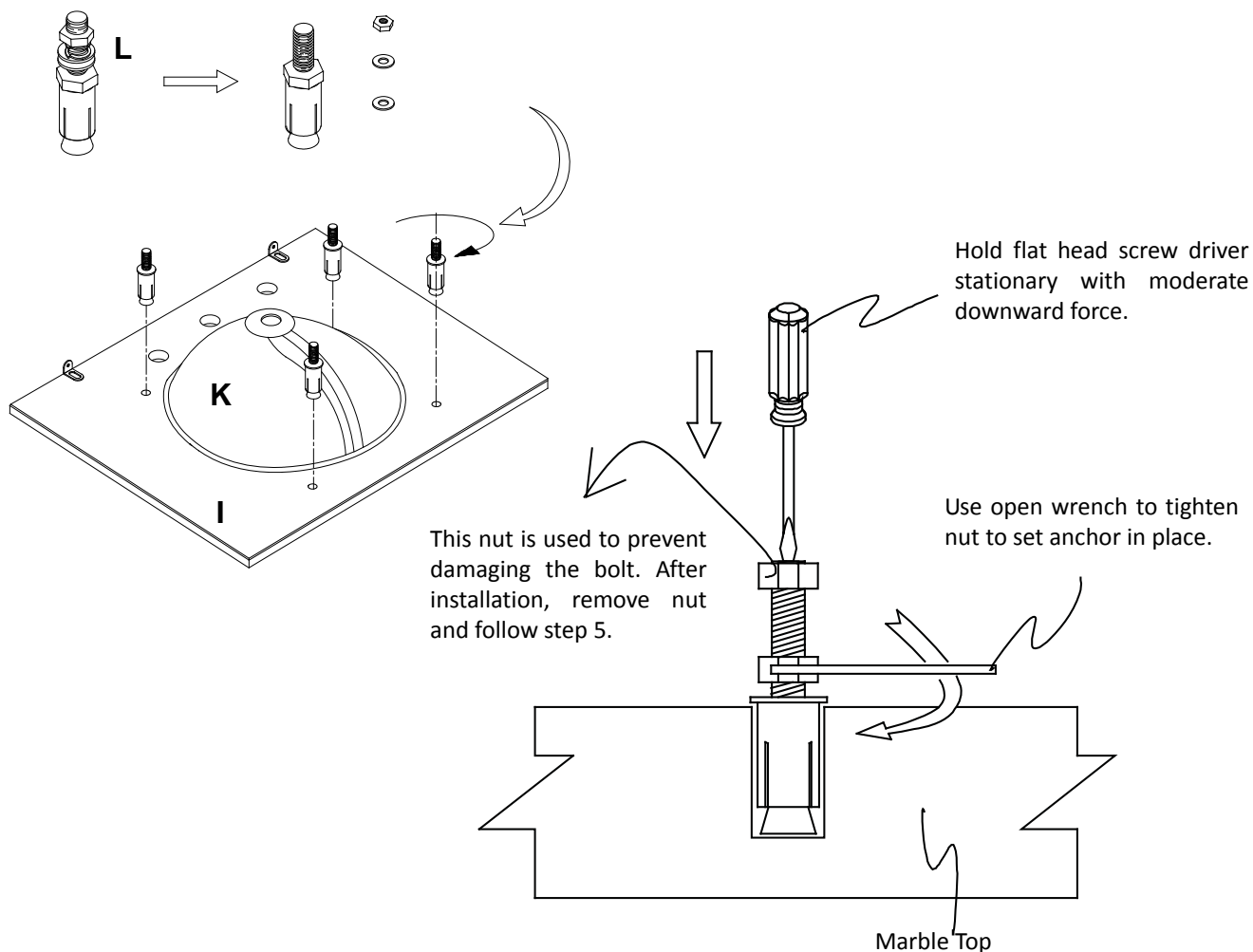


**Caution:** To avoid damage in next steps, make sure all the metal tubes are tightened strongly.

3. Carefully position the marble countertop (I) upside down on foam or soft padding to protect the surface. Attach brackets (P) to marble countertop (I) using bolts (Q), spring washers (R) and flat washers (S) as shown. Tighten by hand at first. Securely tighten the bolts with Allen wrench (U).



4. Position the basin (K) by placing over the marble top cutout. Remove top washer and nut from anchor (L). Carefully set the threadless anchor end into the predrilled holes at backside of countertop.



5. Basin installation:

- 1) Place the L shape brackets (M), top washer and nut in succession through the other end of anchor. Secure by tightening the nut with a wrench.

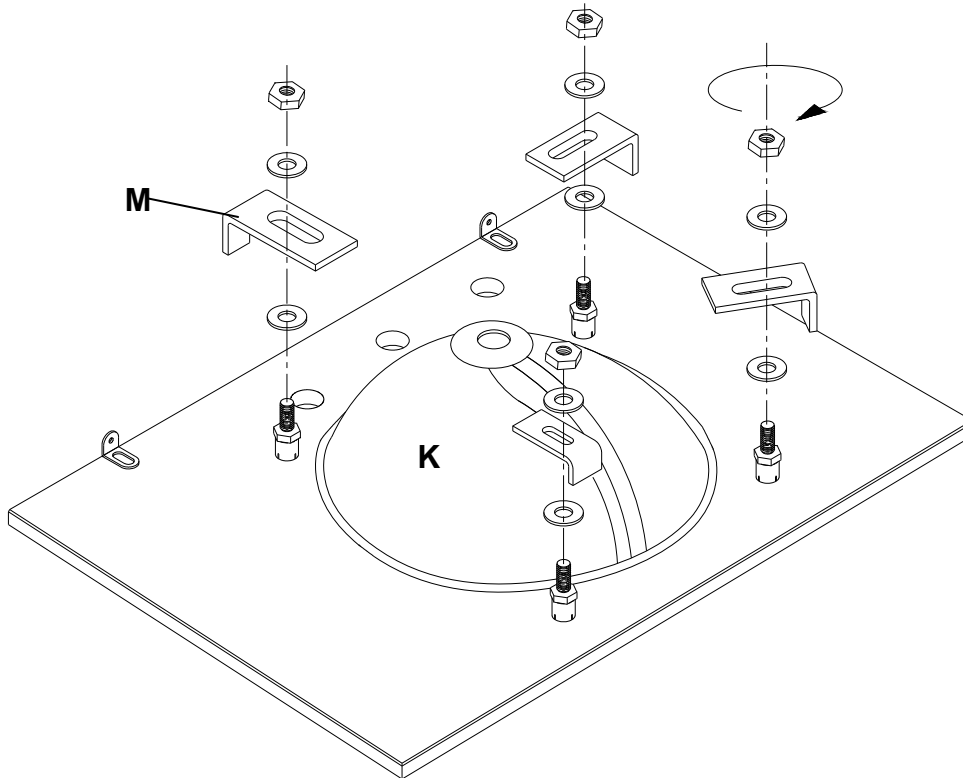
**Note:** position the basin (K) squarely under the cutout before fixing L shape brackets tightly, don't tighten the brackets at this stage.

- 2) Apply a continuous bead of high quality silicone or acrylic based bath sealant to the basin rim where it will contact the countertop. **DO NOT USE PLUMBERS PUTTY OR ANY OIL BASED SEALANT AS THIS WILL STAIN THE MARBLE.** **Note: Don't use adhesives or adhesive sealants.**

Draw the basin rim up to the countertop until it is snug.

**CAUTION: TO AVOID BREAKAGE, DON'T OVER-TIGHTEN WITH WRENCH.**

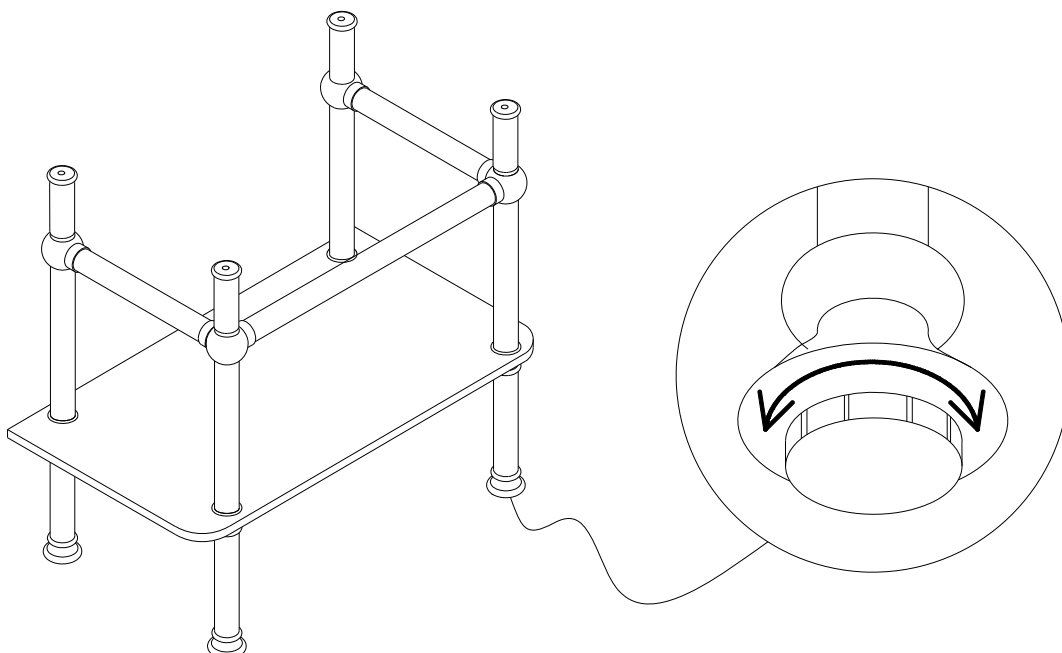
Immediately wipe away any excessive sealant.



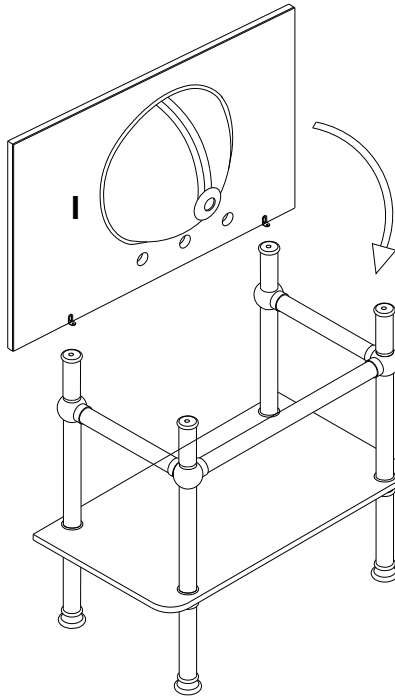
6. Leveler adjustment:

**Note:** Before installing marble top onto console base; console needs to be properly leveled, shimmed (if necessary), and secured to floor and wall as required.

Levelers are pre-installed on the corner of bottom console and adjust as needed to make sure the console is level. Turn counter-clockwise to increase height, clockwise to decrease height.



7. Place the base near desired location. Use a dry cloth to wipe off any dirt or dust from the top edge of console, apply high quality silicone or acrylic based bath sealant to top edge of console. **DO NOT USE PLUMBERS PUTTY OR ANY OIL BASED SEALANT AS THIS WILL STAIN THE MARBLE.** Carefully lift up the marble countertop (I) with basin attached to place it onto the console base.



**Caution: For safe handling, 2-3 people are recommended.**

**Note: Always carry any natural stone vertically. Carrying stone products flat may cause cracking or breakage.**

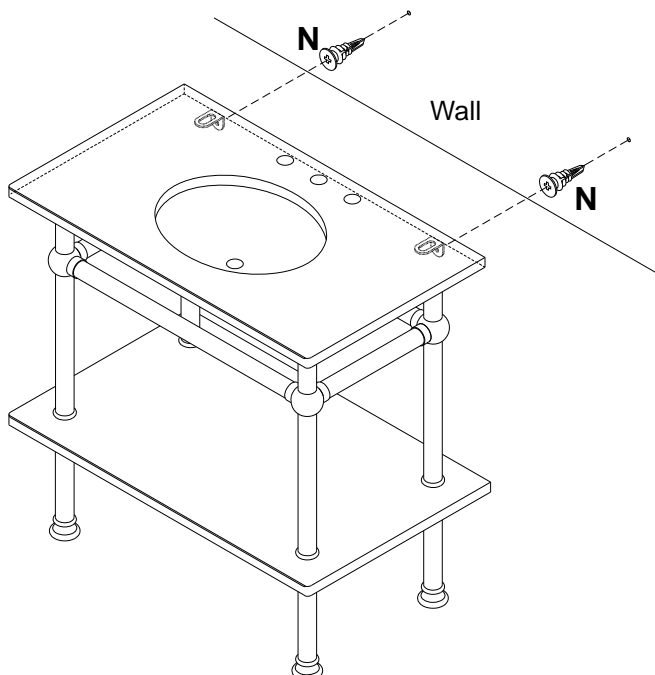
8. Mount APOTHECARY SINK to the wall:

- 1) **NOTE: Adjust the APOTHECARY SINK position to make sure drain holes are right on top of the cutout for drainpipe on the shelf.**

Place a level on the APOTHECARY SINK and with the help of another person, position the APOTHECARY SINK against the wall at a desired location. Adjust the APOTHECARY SINK so that it is level and then use a pencil to mark the wall through hole located in the bracket (P). These marks are the insertion marks for the provided hardware.

Set the APOTHECARY SINK aside so you have access to its rear surface.

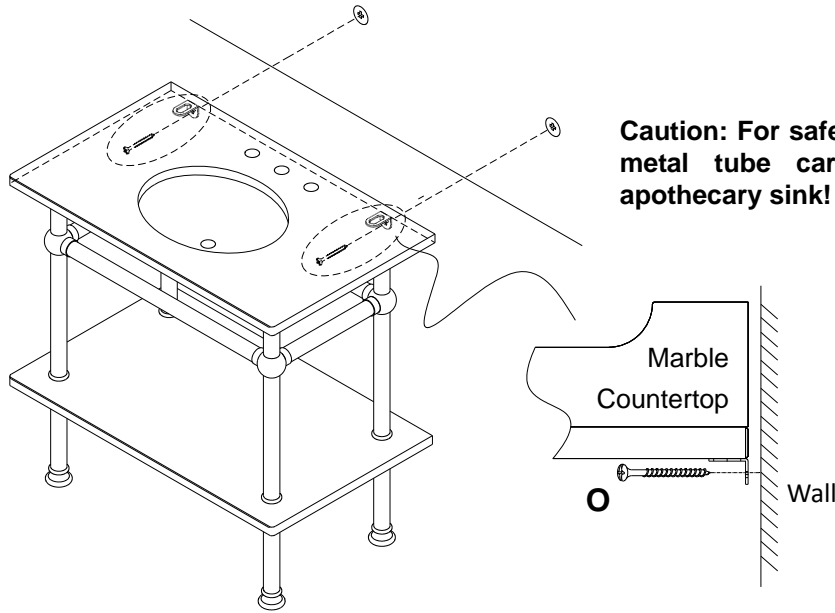
- 2) The provided toggles (N) are needed for drywall applications, but cannot penetrate into wall studs (wood). Therefore, we recommend that you use a stud finder to determine if any of the insertion marks align with a wall stud. If so, only a screw will be used at that mark. If not, then both a toggle and a screw will be used.
- 3) For marks that do not align with a wall-stud, use a screwdriver to engage a toggle (N) and position the toggle tip against the wall at one of the insertion marks. Gently push the toggle into the wall as you rotate the toggle clockwise. Continue rotating until the large flange of the toggle is flush with the wall. Repeat this step with the other anchors and non-stud marks.



**Caution: For safe handling, always handle the metal tube when removing the apothecary sink!**

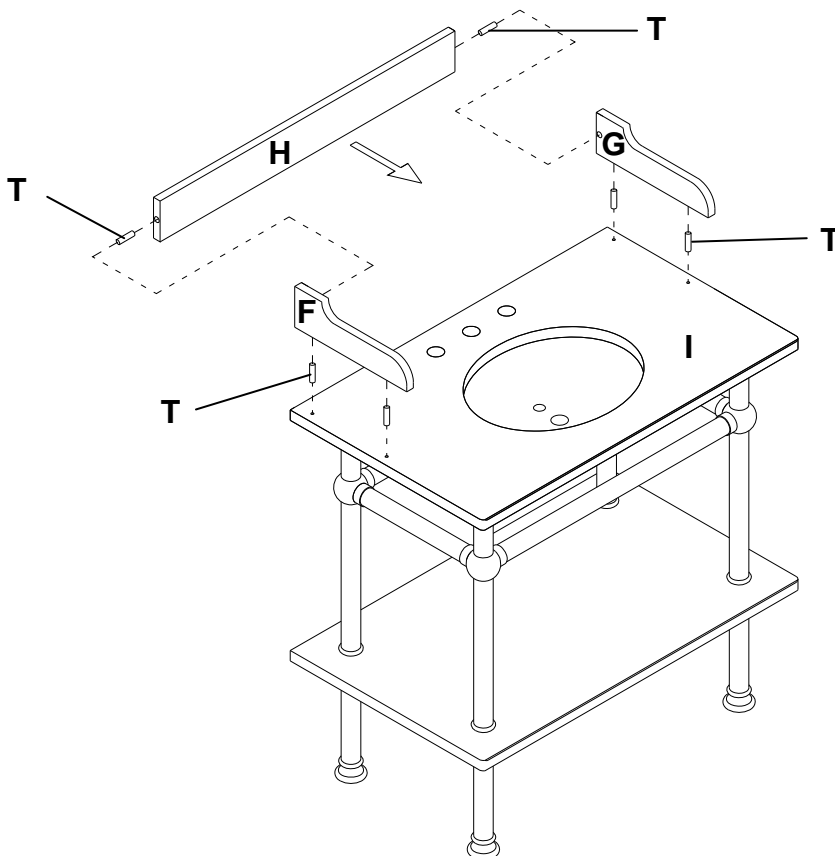


- 4) Once the toggles (N) are installed into the wall at the marked locations, reposition the APOTHECARY SINK so that the holes of brackets (P) are aligning with the toggles.
- 5) Use a screwdriver to secure a provided Toggle Screw (O) into each hole of the bracket (P) and into either an awaiting installed toggle, or directly into the wall if the hole aligns with a wall stud. Rotate each Toggle Screw (O) clockwise until tight.



**Caution: For safe handling, always handle the metal tube carefully when removing the apothecary sink!**

9. Slight adjust the position of base, and then secure the basin tightly.
10. There are pre-drilled holes on the marble countertop (I), side splash (F&G). Use high quality silicone or acrylic based bath sealant to install side splash (F&G), back splash (H) by rust proof dowel (T) orderly, clean up any excess immediately with a clean damp rag. **DO NOT USE PLUMBERS PUTTY OR ANY OIL BASED SEALANT AS THIS WILL STAIN THE MARBLE.** Wipe off any excess wax or residue that may have accumulated around sink area. Avoid moving the top after it has been set into place. Allow the top to dry a minimum of 24 hours to allow for proper adhesion to the console.



**Caution: Do not allow children to stand on lower shelf.**

## Care Instructions:

- **Console Care:**

Wipe cabinet with a soft, dry cloth. To protect the finish, avoid the use of all chemical and household cleaners and abrasives as they may damage finish.

- **Marble Care:**

Marble is a natural material, the amount of veining and coloration will vary which is part of its inherent beauty. Marble is sensitive to acid, as it's kind of natural stone, and consists mainly of calcium carbonate; please remove wine or fruit juice immediately from the surface of marble top. We strongly advise to avoid using acidic cleaners.

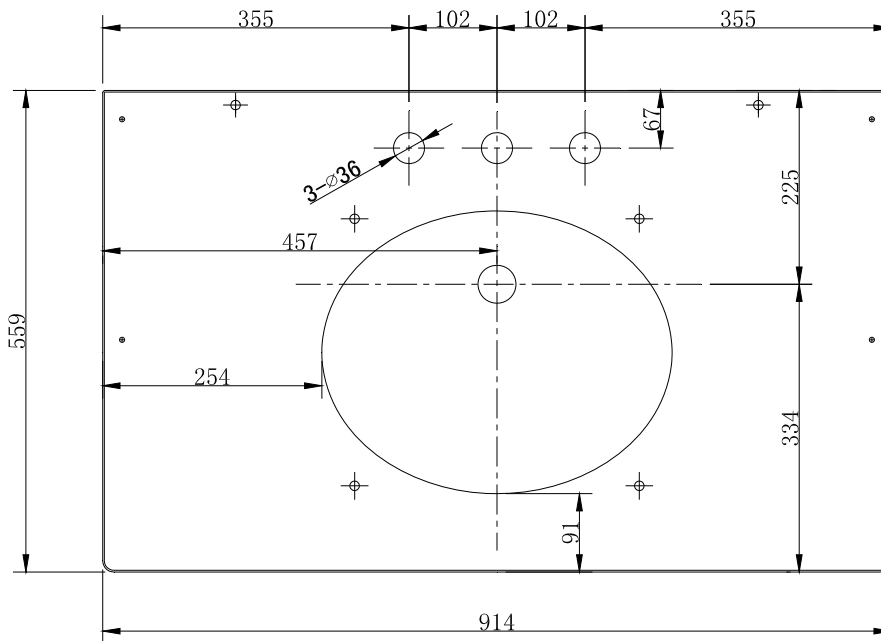
- **To maintain the marble top:**

Consult with a professional at your local home supply store regarding sealer. Re-apply sealer every two years.

Clean frequently with a clean soft damp cloth. Use a mild liquid detergent and warm water.

- Avoid all types of abrasive cleaners and rough cleaning pads. Do not use any products that contain acids on the marble as this can cause the finish to dull.
- Liquid spills should be cleaned up promptly.
- Placing protective pads on the bottom of any heavy objects will help prevent scratching of the marble surface.
- Do not place extremely heavy items on the marble top.

# APOTHECARY SINK



254 mm= from side of marble top to side of basin  
 457 mm= from side of marble top to basin drain hole  
 334 mm= from front of marble top to basin drain hole  
 91 mm= from front of marble top to front of basin  
 225 mm= from center of basin drain hole to back of marble top

