

P O T T E R Y B A R N

Carved Floor Standing Mirror Mounting Instructions

This mirror includes an easel assembly that is pre-attached to the rear surface of the mirror to allow the mirror to be used as a floor-standing mirror. The mirror also includes D-rings located on the rear surface that allow the mirror to be optionally mounted to a wall either vertically or horizontally, as desired. The following instructions guide the user to mounting this mirror to a wall.

For safe mounting it is important to use the proper hardware for your wall type. The hardware included here is meant for drywall and stud mounting only. If your walls are made from concrete, brick or plaster, please consult your local hardware store for assistance in selecting the proper hardware. It will be helpful to have two people mount this product to the wall.

Hardware (included):

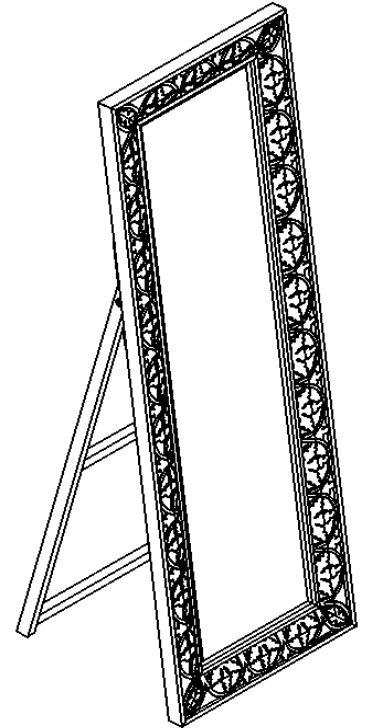
- A) TWO Toggles
- B) TWO Long Screws (for Use with the Toggles)
- C) TWO Short Screws (for stud mount only)

Parts (included):

Paper Template, Frame Mirror

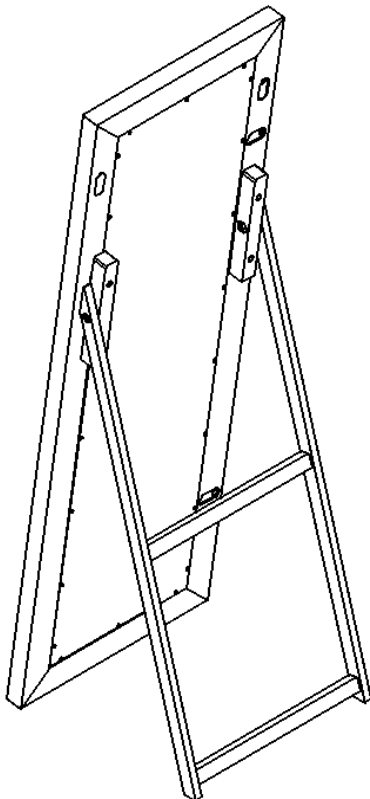
Tools needed:

Philips Screwdriver, Allen Wrench, Level, stud-finder, and Pencil

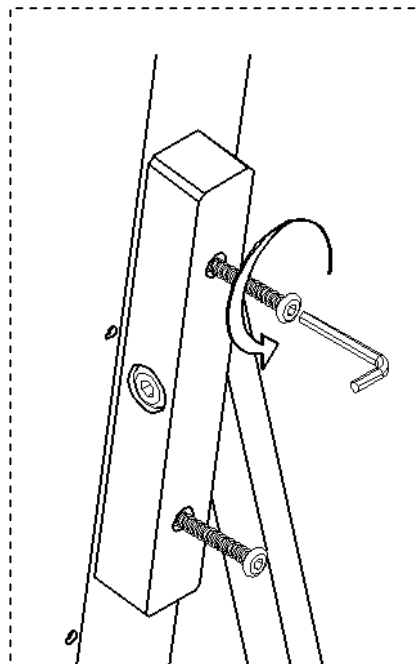


Wall-Mounting Instructions

A. Remove the Pre-Mounted Easel Stand



Carefully lay the mirror face down on the floor (use appropriate padding to protect the mirror against damage). This will provide you with access to the four socket bolts that hold the easel stand to the mirror. Use the provided 5mm Allen wrench to remove these four bolts and separate the easel stand from the mirror. Set the stand and four bolts aside. See figure # 1.



B) Use the Paper Template to Mark the Wall:

Decide if you want the mirror oriented horizontally or vertically and place the provided template against the wall at a desired location and orientation. Use a level to make sure the template is level or true. Either have another person hold the template or use tape or tacks to temporarily secure the template to the wall. Carefully use a sharp pencil to mark the wall through the hole marks shown on the template. See figure 2

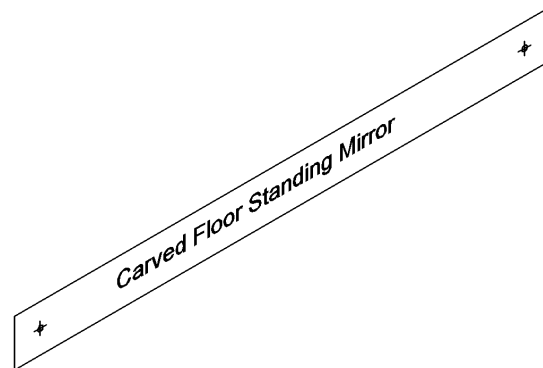


Figure 2

C) Locate Wall Studs:

Use a stud finder to determine if either mark aligns with a wall stud. If so, use the screwdriver to secure one of the provided screws (the shorter one with the pointed tip) into the wall at any of the aligned marks. Rotate the screw clockwise until the screw head is about 3/8 from the wall.

D) Install Toggles

For marks that do not align with a wall stud, use the screwdriver to install a toggle at the mark. To do this, engage the toggle with the screwdriver and position the tip of the toggle at the mark on the wall. Rotate the toggle clockwise as you push the toggle forward into the wall. The toggle will drive itself into the wall. Continue rotating until the flange is even with the wall surface. Repeat this step for the other (non-stud aligning) mark and toggle.

Insert a provided long screw (with a blunt tip) into each installed toggle and use the screwdriver to fully tighten the screw, rotating clockwise - Be patient - this may require quite a few turns. Once tight, use the screwdriver to loosen the screw (counter-clockwise) so that each screw head is about 3/8 inch from the wall surface. You may have to use your fingers to pull the loosened screw out from the toggle. See Figure 3.

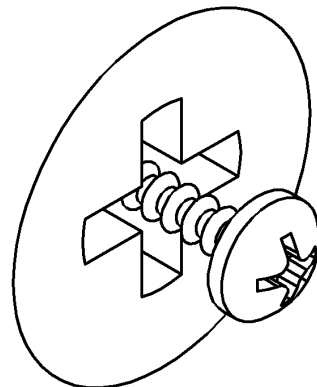


Figure 3

E) Mount the Mirror:

With the help of another person, carefully lift the mirror to align two of the four D-rings located on the rear surface with the protruding screw heads. Lower the mirror so that the screws engage the D-rings and support the mirror's weight.

Congratulations! Installation complete.

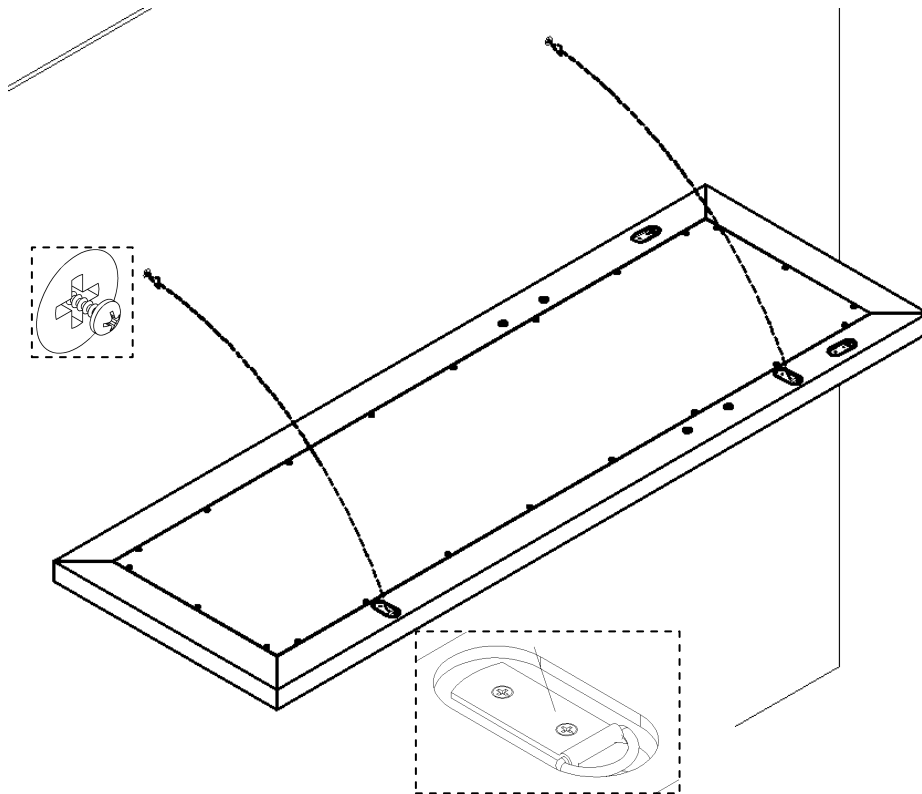


Figure 4.

Care Instructions

Wipe with a soft, dry cloth.
Do not use chemicals and household cleaners.

Thank you for your purchase!