

POTTERY BARN

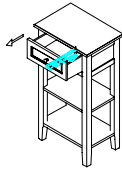
Classic Marble Top Vanity

Important Safety Instructions:

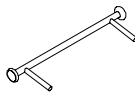
- Please read all instructions before beginning assembly.
- Save all packing materials until assembly is complete to avoid accidentally discarding smaller parts or hardware.
- Keep all parts and plastic bags out of the reach of children.
- For your safety and ease, assembly by two people is recommended.

Parts Included:

- (1) Vanity with (1) Drawer pre-installed (A)



- (2) Towel Bar (1)



- (1) Knob pre-installed
- (2) Extra Knobs



Hardware Included:

- (4) Phillips Head Bolt (2)



- (4) Spring Washer (3)

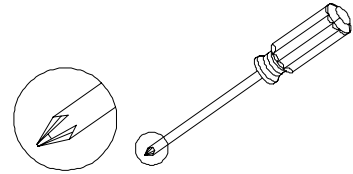


- (4) Flat Washer (4)



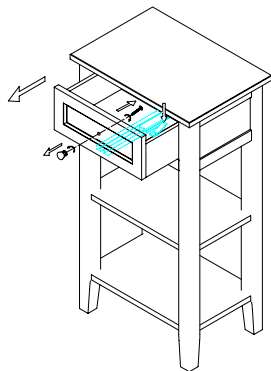
Tools Required:

- Phillips Head Screwdriver

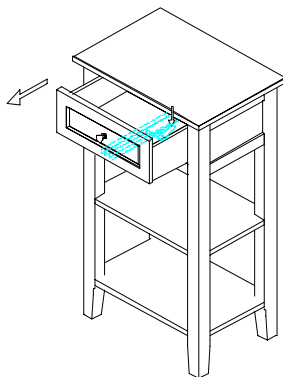


Assembly Instructions:

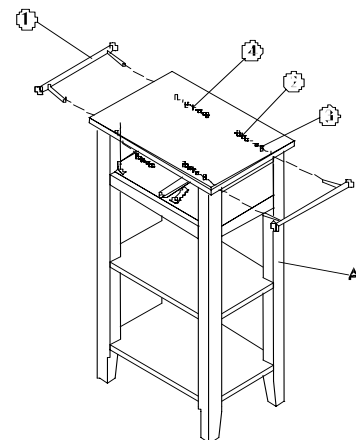
1. To replace pre-assembled knob on drawer, hold knob and unscrew the bolt on backside of drawer with a screwdriver by turning counter clockwise. Attach new knob and screw in the bolt from inside of drawer with screwdriver by turning clockwise. (Figure 1)
2. Pull the drawer out half way. Press down on the white nylon drawer stopper, which is underneath the drawer. Pull drawer completely out of the frame. (Figure 2)
3. Align (1) towel bar (#1) to the pre-drilled holes on the side of the frame. Insert the Phillips Head bolt (#2) through a spring washer (#3) and flat washer (#4). Fasten towel bar to frame by inserting hardware into towel bar through the underside of the frame. Repeat steps for other towel bar. (Figure 3)



(1)

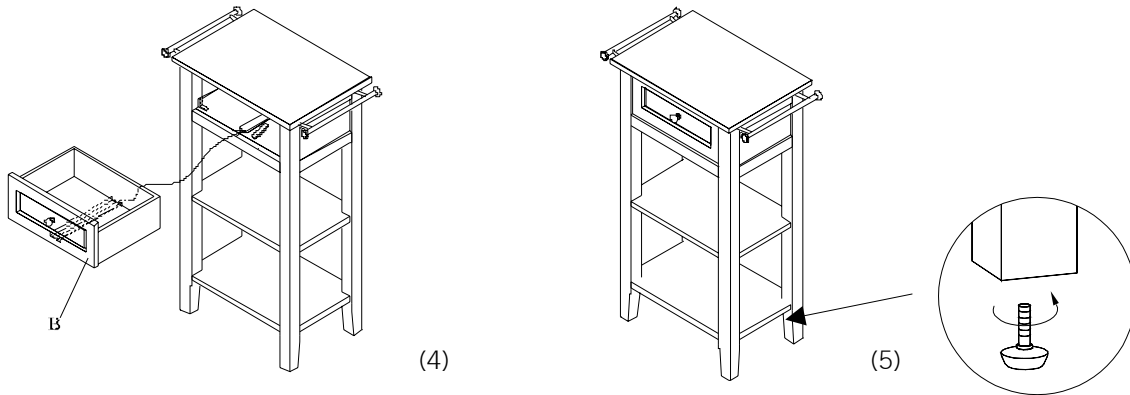


(2)



(3)

4. Slide the drawer back into the frame. (Figure 4)



Levelers:

The levelers are pre-installed onto the legs. Adjust as needed to make sure the cabinet is level. Turn counter-clockwise to increase height, clockwise to decrease height. (Figure 5)

Care Instructions:

- Wipe cabinet with a soft, dry cloth.
- To protect the finish, avoid the use of all chemical and household cleaners and abrasives as they may damage finish.
- **To maintain the beauty and longevity of marble top, we recommend dusting frequently with a clean soft damp rag. Use a stone soap or mild liquid detergent and warm water. Avoid abrasive cleaners or rough cleaning pads. Do not use products that contain lemon, vinegar, or other acids. Using this type of cleaning process will cause the finish to dull. Liquid spills such as alcohol, medications, etc, should be cleaned up promptly. Some liquids with high-acid content can etch your marble top if left for any length of time. Popular products that should be promptly cleaned up are shaving cream, toothpaste, perfume, cologne, nail polish remover, hair coloring, or perm products, shampoo, drain and toilet bowl cleaners. Place protective pads on the bottom of any heavy object such as pottery, appliances or other objects that may scratch the marble surface. Do not stand or place extremely heavy items on the marble top.**

Thank you for your purchase
stores | catalog | www.potterybarn.com