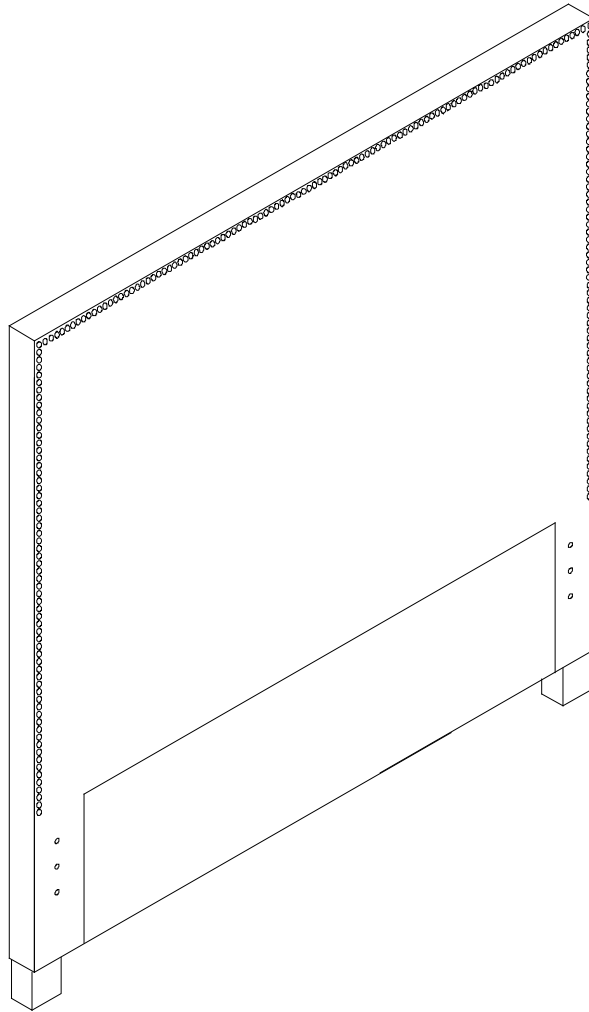


POTTERYBARN



FILLMORE SQUARE HEADBOARD (FULL TWIN)

Important Safety Instructions:

- Please read all instructions carefully before assembling.
- For your safety, assembly by two or more adults is strongly recommended.
- Keep instructions for future use.
- Use only vendor supplied hardware to assemble. Using unauthorized hardware could jeopardize the structural integrity of the item.

Pre-assembly:

- Remove all parts and hardware from the box and lay out on a clear carpeted or scratch-free work surface, as this will avoid damaging parts during assembly. The shipping box provides an ideal work surface.
- Do not dispose of any packaging or contents of the shipping carton until assembly is completed to avoid accidentally discarding small parts or hardware.
- Use the parts and hardware lists below to identify and separate each of the pieces included.
- The illustrations provided allow for easier assembly when used in conjunction with the assembly instructions.
- The use of power tools to aid in assembly is not recommended. Power tools can damage hardware and split wood.

Parts Included:

(M) Curved Headboard 1x

Parts Required: (sold separately)

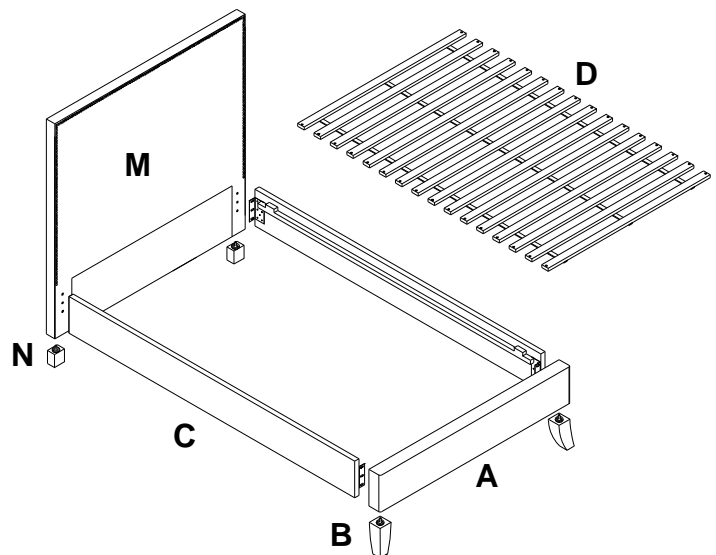
(A) Low Headboard 1x

(B) Leg 2x

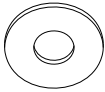
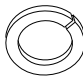
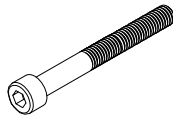
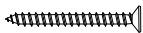
(C) Side Rail 2x

(D) Slat roll 1x

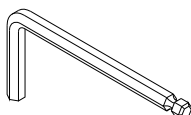
(N) Leg 2x



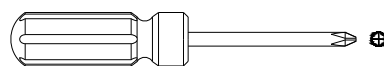
Hardware Included:

<p>(G) Flat Washer</p>  <p>Dia. 5/16"x3/4"</p> <p>12x</p>	<p>(H) Spring Washer</p>  <p>Dia. 5/16"</p> <p>12x</p>	<p>(L) Bolt</p>  <p>Dia. 5/16"x2-1/4"</p> <p>12x</p>	<p>(J) Screw</p>  <p>32x</p>
--	---	--	---

Tools Required:



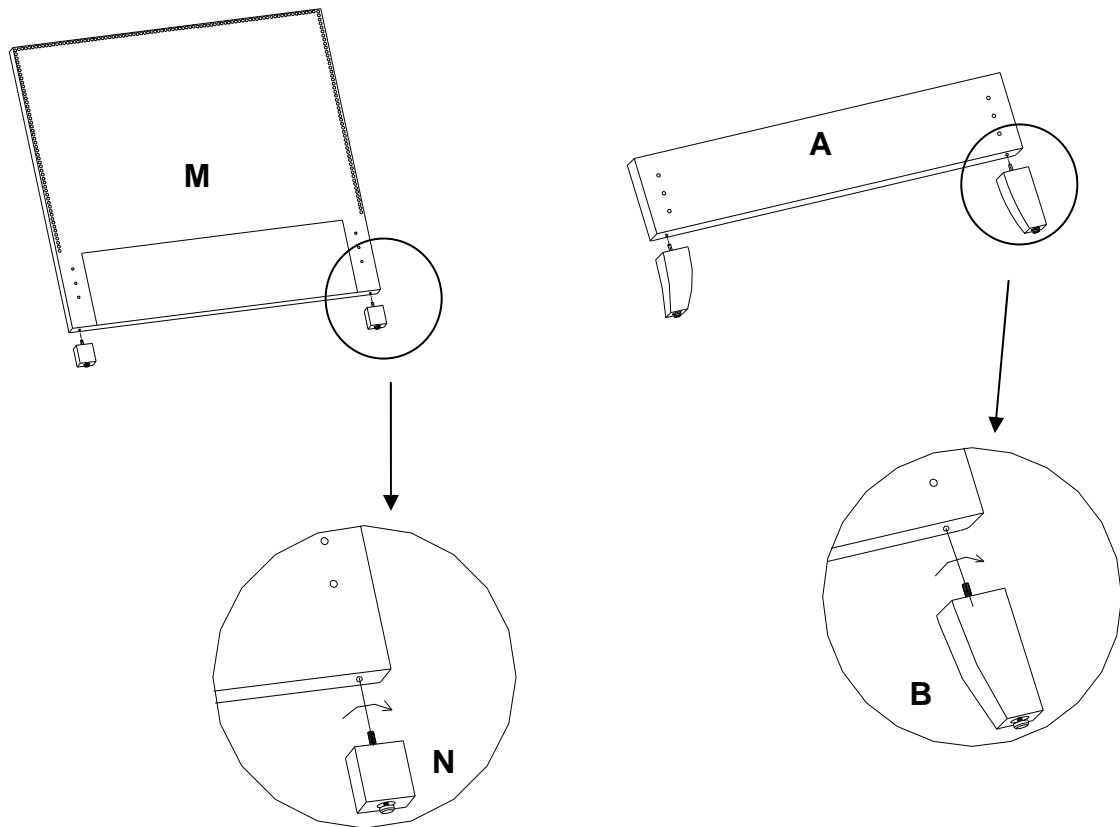
(I) Allen Key 5mm **(included):**



Phillips Head Screwdriver **(not included)**

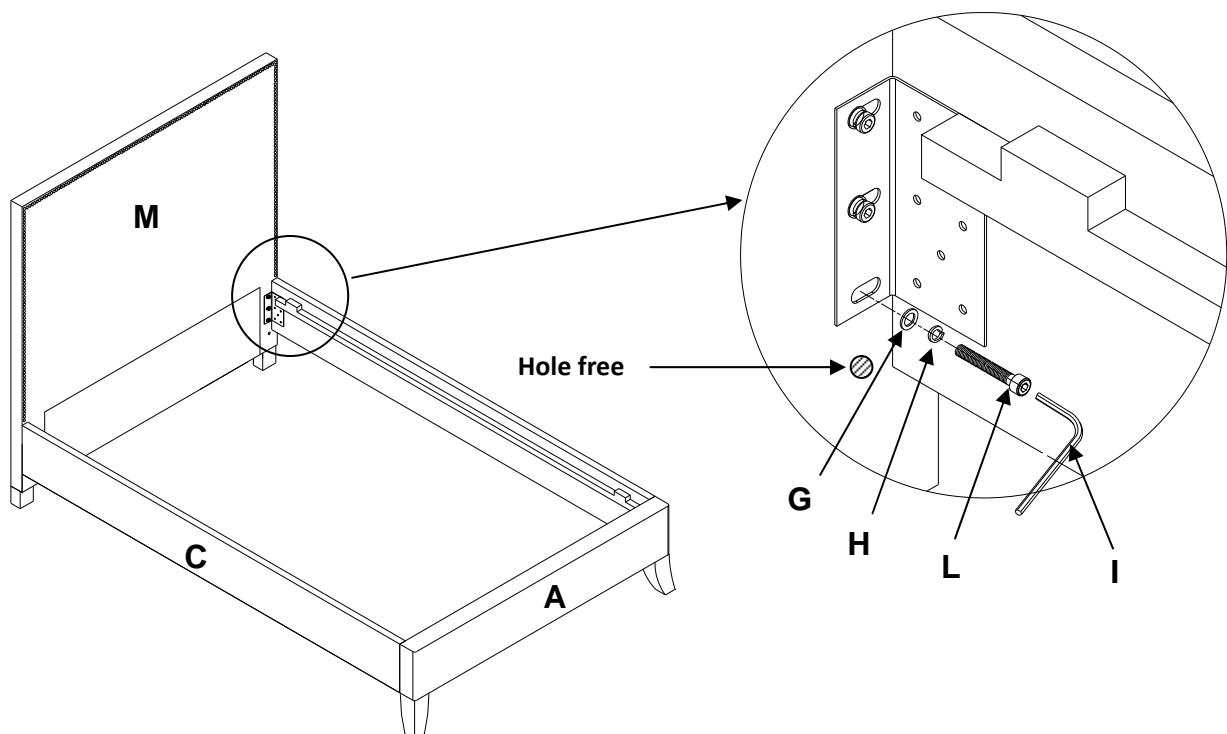
Assembly Instruction Steps:

1. Screw the Leg (B) into the bottom of Low Headboard (A) and screw the Leg (N) into the bottom of High Headboard (M).

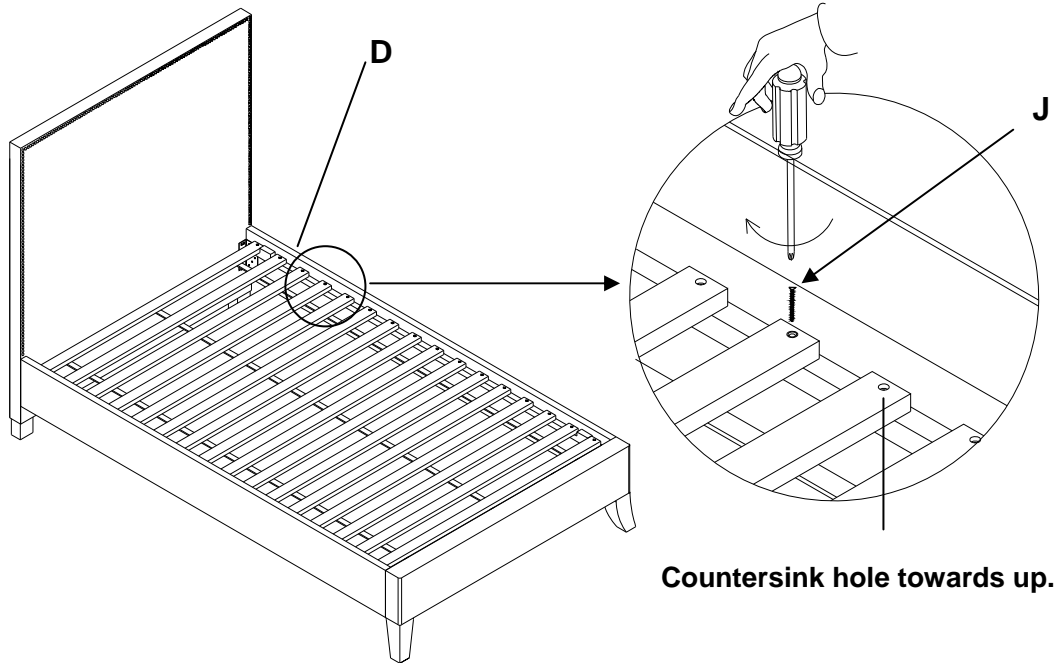


2. Attach Side Rail (C) to Headboard (M) and Footboard (A) as shown, use the 3 upper holes, insert Bolt (L) thru Lock Washer (E) and Flat Washer (F), and tighten with Allen Key (I).

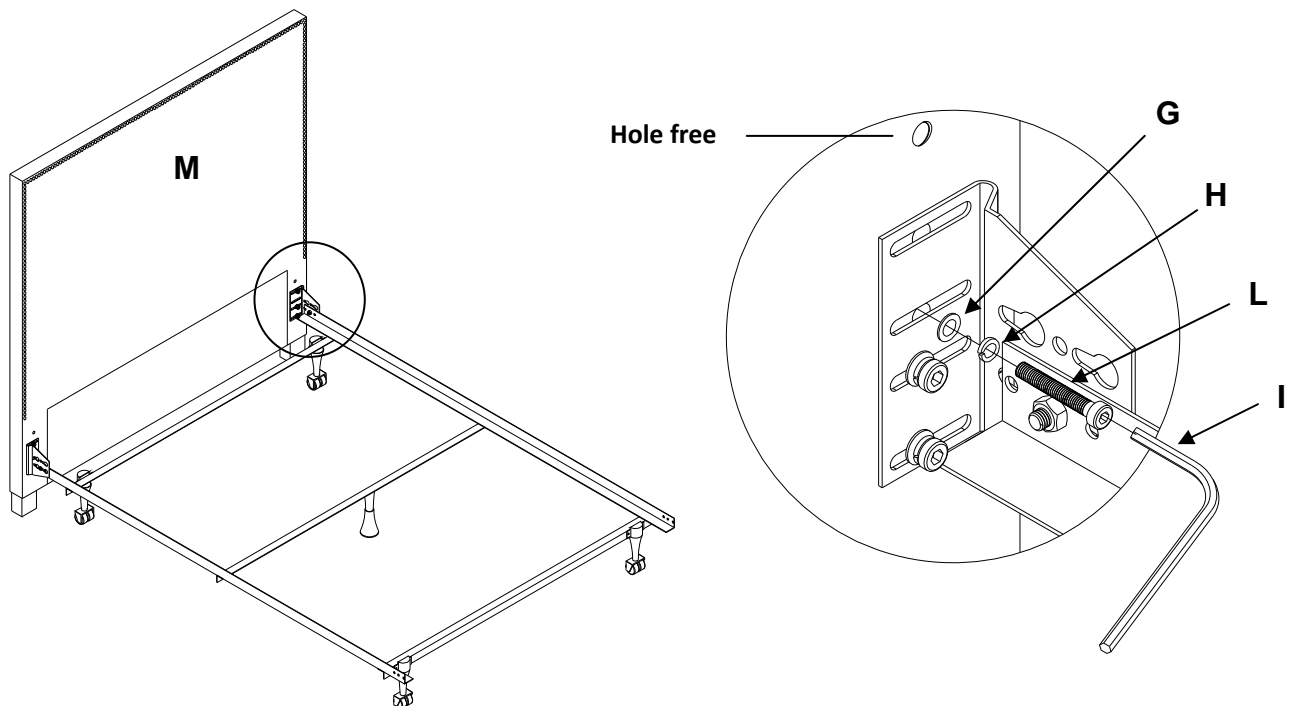
NOTE: Do not tighten up the bolts at this point to make installation of the Slat easier.



3. Place the Slate (D) on the bed, fix with screw (J), and then tighten with Phillips Head Screwdriver. **Fully tighten the bolts in step 2 with Allen key (I).** Assembly is complete.



4. This headboard could assemble with the Metal bed frame (sold separately) as below:
Hold the Headboard (M) upright near the desired location. Slide a Flat washer (G), Spring Washer (H) onto each Bolt (L), use 3 lower holes on the headboard, and then insert 3 Bolts (L) through the holes of conjunction of Metal Bed Frame, into pre-drilled holes in the bottom front side of Headboard (M). Use the Allen Key (I) to tighten Bolts (L).



Care Instructions:

- Dust often using a clean, soft, dry and lint-free cloth.
- Blot spills immediately and wipe with a clean, damp, cloth.
- We do not recommend the use of chemical cleansers, abrasives or furniture polish on our lacquered finish.
- Hardware may loosen over time. Periodically check to make sure all connections are tight. Re-tighten if necessary.

Thank you for your purchase
Stores | catalog