

POTTERY BARN

Newport Sundry

Assembly Instructions

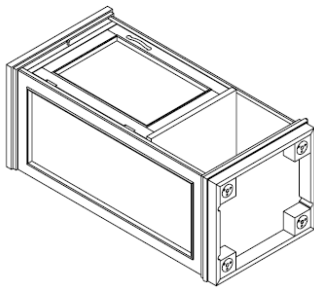
- Please read all instructions before beginning assembly. Save all packing materials until assembly is complete to avoid accidentally discarding smaller parts or hardware. Keep all parts and plastic bags out of the reach of children. For your safety and ease, assembly by two people is recommended.
- MAXIMUM INDIVIDUAL SHELF WEIGHT CAPACITY IS 30 POUNDS.

Hardware included:



1. Shelf pin (4pcs)

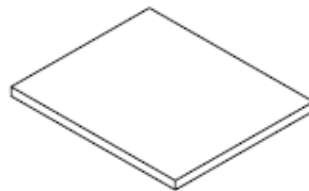
Parts included:



A. Newport Sundry Body (1pc)



B. Feet (4pcs)

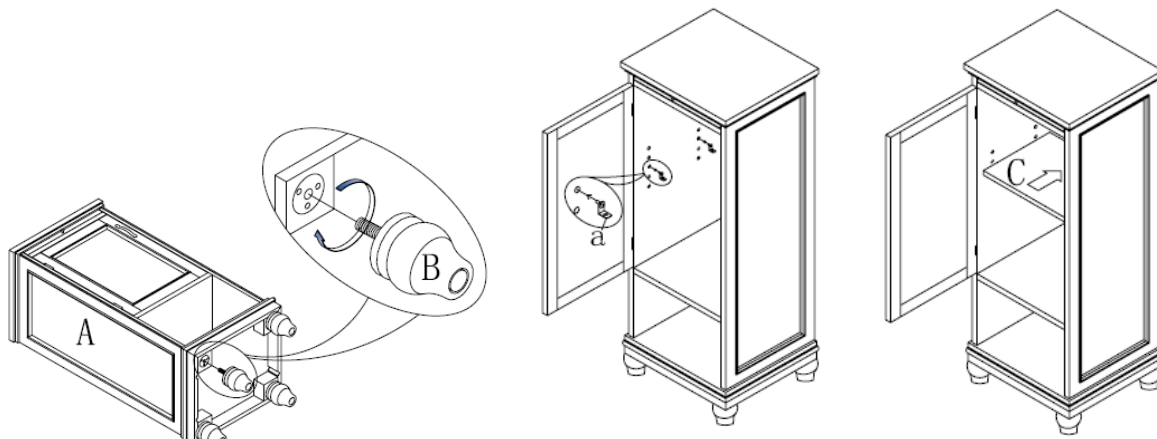


C. Shelf (1pc)

Assembly Instructions:

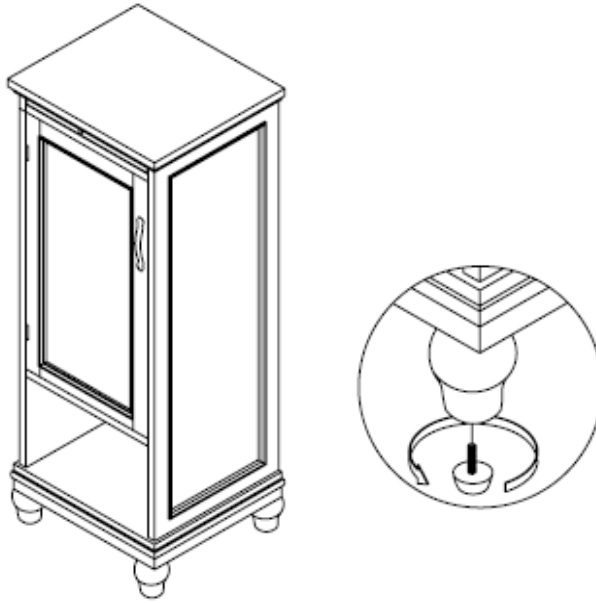
1. Place Newport Sundry Body (A) down on a soft, scratch-free surface such as a carpet or rug.
2. Thread the 4 feet (B) into pre-drilled holes at the bottom of the sundry. Carefully place upright.
3. Insert the 4 shelf pins (1) at desired level.
4. Gently place wooden shelf(C) onto shelf pins.

Note: Please refer to the separate anti-tip kit assembly instructions; FURNITURE TIPPING RESTRAINT.



Leveler Adjustment:

Levelers are pre-installed on the feet. To make sure the sundry is level, adjust as needed. Turn counter-clockwise to increase height, clockwise to decrease height.



Care Instructions:

Wipe Sundry with a soft, dry cloth. Avoid cleaners and abrasives as they may damage finish.

Granite Care:

Granite is a natural material, the amount of veining and coloration will vary which is part of its inherent beauty. To maintain the Granite top: Consult with a professional at your local home supply store regarding sealer. Re-apply sealer every two years. Clean frequently with a clean, soft damp cloth. Use a mild liquid detergent and warm water.

Avoid all types of abrasive cleaners and rough cleaning pads. Do not use any products that contain acids on the Granite as this can cause the finish to dull. Liquid spills should be cleaned up promptly. Since Granite is a natural stone it is sensitive to acid. Remove fruit juice or wine immediately from the surface of the marble top. We strongly advise avoiding all acidic cleansers. Placing protective pads on the bottom of any heavy objects will help prevent scratching of the granite surface. Do not place extremely heavy items on the granite top.

thank you for your purchase
stores | catalog | www.potterybarn.com