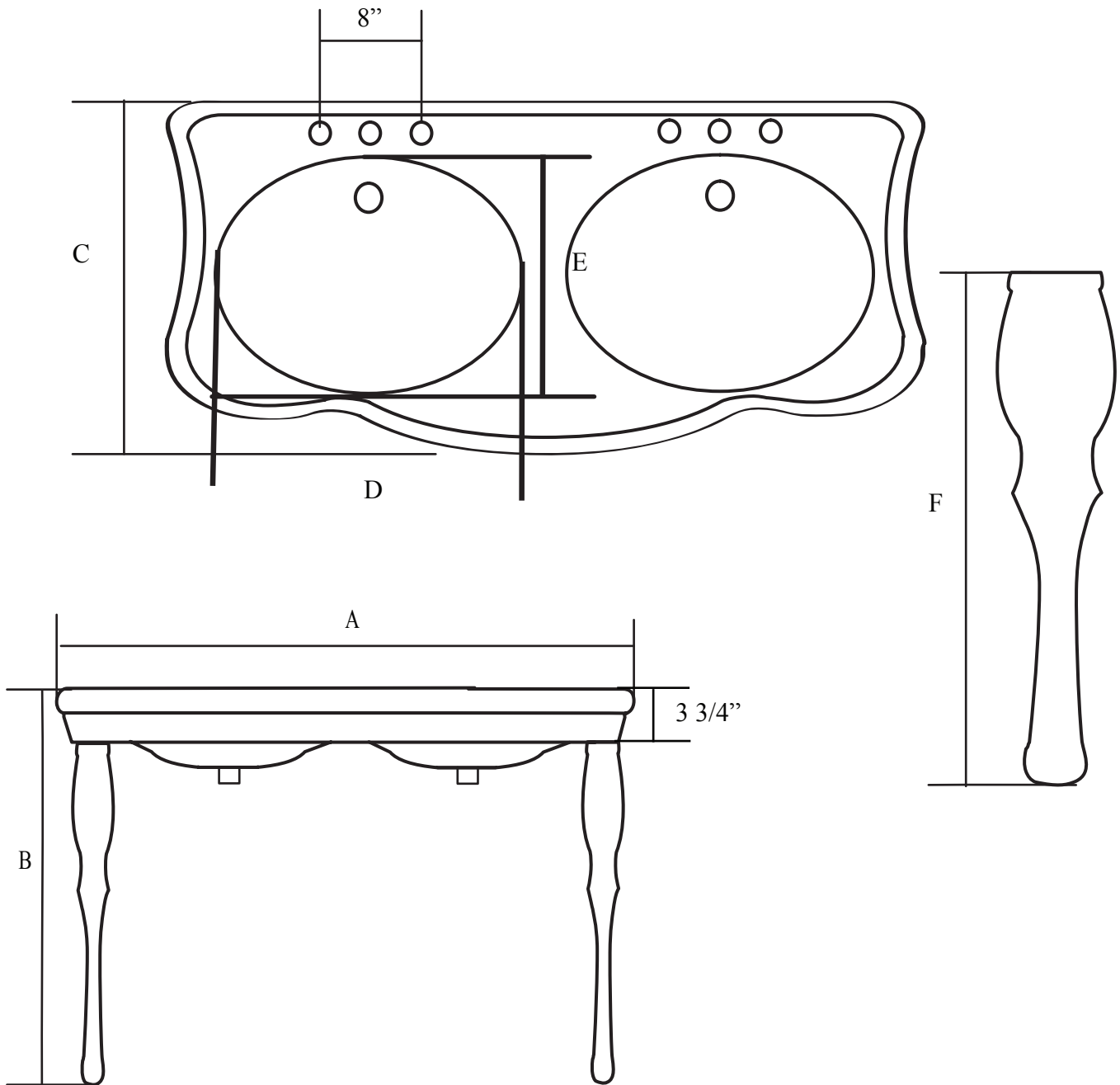


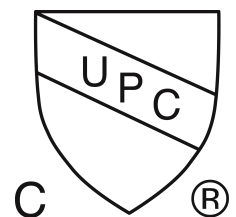
SUNRISE

930 98th Ave., Oakland, CA 94603
(510) 729-7277

#745 Double
Console Lavatory



	A	B	C	D	E	F
745	47	33 3/4	19 1/2	16 1/2	12	3 1/2



Installation should be done by a licensed plumber or contractor and not by the homeowner.

Hold the sink upright against the wall and insert the leg ends into each socket (do not bond the legs using an adhesive at this point) so that the legs support the sink.

Mark the wall through the two holes located in the back of the basin. Carefully set the basin and legs aside.

Using a power drill and a 1/8 inch drill bit, drill a pilot hole into the wall at each mark.

Return the sink basin and the legs to the mounting position

against the wall. Recheck the level and height of the basin and align the mounting holes of the back of the basin with the pilot holes in the wall.

Secure the basin to the wall by inserting a lag bolt first through a metal washer, then a rubber washer and then through each mounting hole of the sink. Tighten each bolt using an appropriate wrench from under the sink.

Apply a bead of caulking between the back of the basin and the wall

Shipping dimensions/weight

745: 50"x24"x25"/178 lbs.