

POTTERY BARN

Pearson Toilet Paper Holder Mounting Instructions

The hardware that comes with this item is meant for walls made from drywall or wood. If your walls are made from another material (such as brick, plaster or tile), please consult your local hardware store to select the appropriate hardware for your wall-type.

Tools needed:

Stud-Finder, Phillips Screwdriver, Pencil

Parts Included:

- A) 2 Screws
- B) 2 Anchors
- C) 1 Allen Wrench

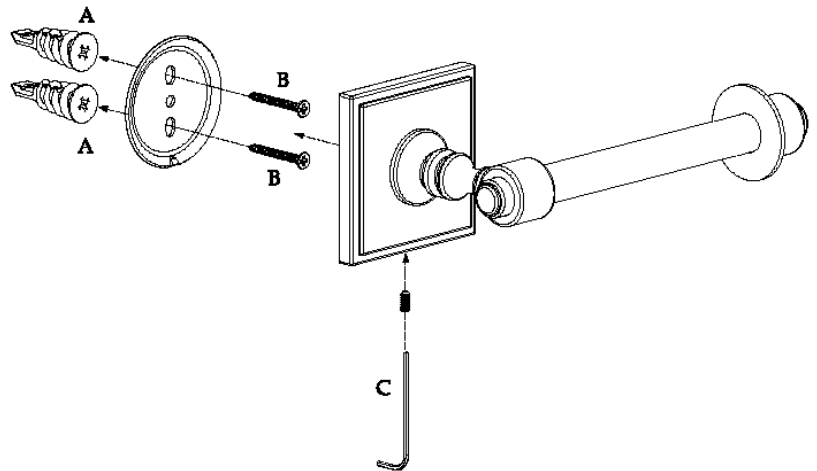
This item includes a mounting plate that is first secured to a wall. The item is later mounted and secured to the mounting plate using an Allen screw.

Mounting Instructions:

- 1) Hold the mounting plate against a wall at desired location so that the holes in the plate align vertically. With a pencil, mark the wall through the uppermost and lowermost holes in the plate. Set the plate aside.
- 2) Use a stud-finder to see if either mark aligns with a wall stud. If yes, then secure just a provided screw at this location when instructed to do so below.
- 3) For the marks that do not align with a wall stud, use a screwdriver to install an anchor into the wall. Place the tip of the anchor at the mark and use the screwdriver to both rotate the anchor (clockwise) and firmly push it into the wall. The anchor will drive itself into the wall like a screw. Continue rotating the anchor until its wide flange is even with the wall surface. Do not over-tighten.

- 4) Return the mounting plate to the wall so that the two holes in the plate align with either a stud-aligned mark or an installed anchor. Use the screwdriver to secure a provided screw through the holes of the plate and into the anchor or wall. Rotate until tight.
- 5) Attach the base of the item onto the mounting plate. Use the provided Allen wrench to tighten the set screw located at the bottom edge of the base. Rotate clockwise until tight.

Care Instructions:



Wipe with a soft, dry cloth. To protect the finish, do not use household cleaners or abrasives.

Thank you for your purchase!