

P O T T E R Y B A R N

Silver Medicine Cabinet

The mounting hardware included with this item is meant for dry wall/stud mounting only. If your walls are made from something other than drywall or wood such as concrete, brick or plaster, please consult your local hardware store for assistance in selecting the appropriate hardware. This item includes a wood French cleat that is first mounted to a wall. The cabinet is then supported by this wall-mounted cleat. The cleat is secured to the wall using either expanding anchors and screws for drywall or just the screws if a mounting hole happens to align with a wall stud.

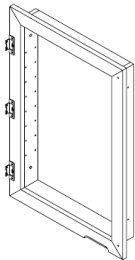
Important safety instructions:

Please read all instructions carefully before assembling. For your safety, mounting by two people is recommended. The maximum individual shelf weight capacity is 10lbs. Do not exceed the load capacity.

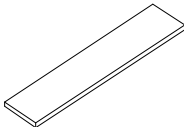
Tools Required (Not Included):

Stud Finder Phillips Screwdriver
Pencil Level
Tape Measure

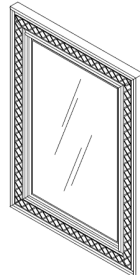
Parts Included:



Wooden Cabinet (1pc) - A



Glass Shelf (3pcs) -B



Door Panel 1pc -C

Hardware Included :



Shelf pin (12pcs) - a



Rubber Pad (2pcs) - b



Toggle Screw (4pcs) -c



Wood Screw 6pcs -d

Removing Parts from Packaging:

Remove all parts and hardware from the box and lay them out on a clear workspace, along with any plastic protective packaging. Do not dispose of any contents until assembly is complete to avoid accidentally discarding small parts or hardware.

ATTACH THE DOOR FRAME TO THE BOX

1. Attach the door panel (C) to the pre-assembled hinge of wooden cabinet (A) using wood screw (d). Securely tighten the screw with Phillips screwdriver, see **Figure 1**.

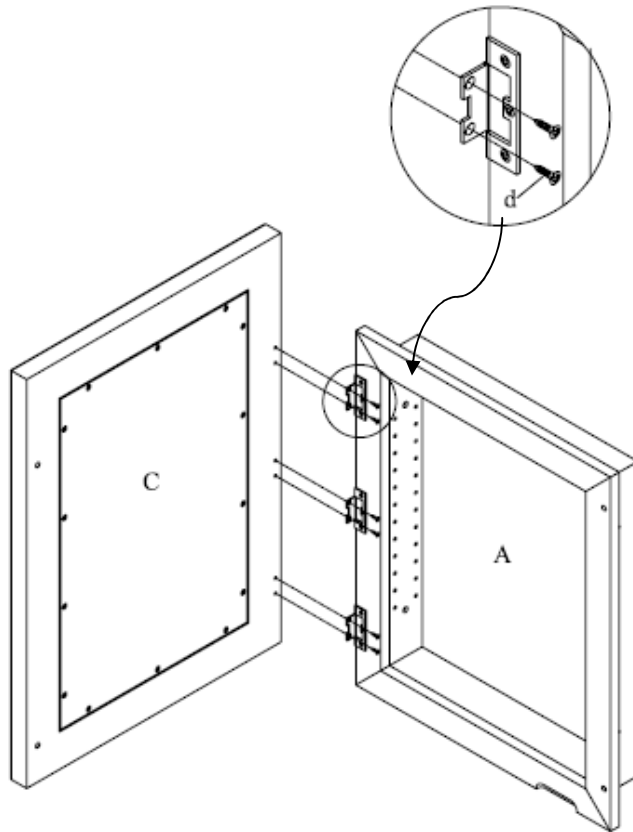


Figure 1

MOUNT CABINET TO THE WALL

Professional Mounting Instructions: See **Figure 2**

1. Mark the desired location on the wall for installation.
2. After verifying the recessed portion dimensions of cabinet, use appropriate tools to cut a rectangle in the wall covering (sheetrock) measuring approximately **19** inches wide and **23.5** inches high. Use the level to make sure that the cutout is true and level.

Note to the professional installer: Once the sheetrock cutout is removed, it is likely that at least one wall stud will interfere with the inserted portion of this cabinet (A) and that some internal framing will be required. This will likely include cutting a section from the interfering stud and adding stud sections to ensure that there is wood support located adjacent each side of this cabinet (A) when it is inserted.

3. After the appropriate stud cutting and framing has been done, insert the cabinet (A) into the recess and ensure that it fits snugly and is true. Adjust and shim as necessary and make sure that the outer molding of cabinet (A) lies flush against the wall surface.
4. While holding the cabinet (A) firmly in the recess, insert toggle screws (c) into the holes located along the inside side panels of the cabinet (A). Using a Phillips head screwdriver, screw each of the toggle screws (c) into the adjacent wall studs or wood support structure until tight.

Note: Cabinet cannot be rotated to adjust door opening direction.

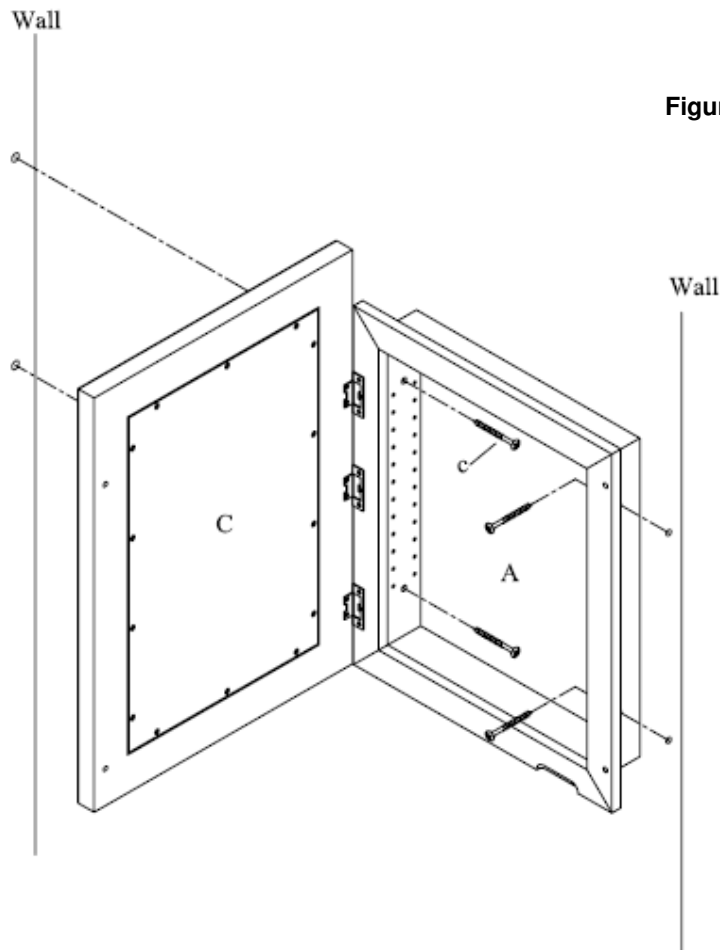


Figure 2

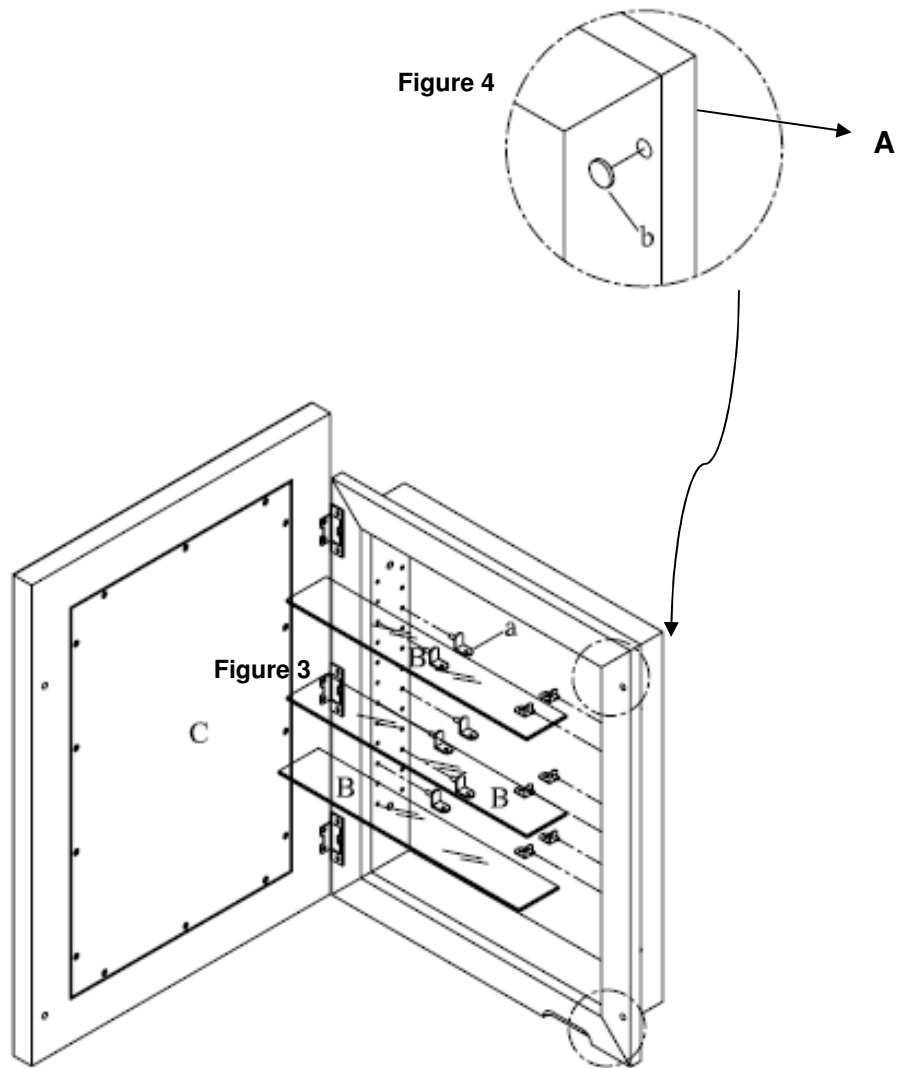
Assembly Instructions:

Installing the Glass Shelves:

1. To install the shelves: For each shelf, insert four shelf supports (a) by pressing the pin portion of each into one of the pre-drilled holes located along the side walls of the interior of the cabinet. Count the holes from the top or bottom to ensure that each set of four supports are at the same height. Gently place a glass shelf (C) onto each set of four installed shelf supports. See **Figure 3**.

Installing the Rubber Bumpers:

2. Attach the adhesive backed rubber pad (b) to each magnet along the perimeter as shown below. This will help dampen the noise of the door closing against the cabinet frame. See **Figure 4**.



Care Instructions:

- ◆Wipe cabinet with a soft, dry cloth.
- ◆To protect the finish, avoid the use of all chemical and household cleaners and abrasives as they may damage finish

thank you for your purchase

Stores/catalog/www.potterybarn.com