

# POTTERY BARN

## TRIPLE MIRROR MEDICINE CABINET

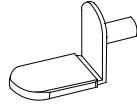
### Assembly Instructions

#### Important Safety Instructions:

- Please read all instructions before beginning assembly.
- Keep all parts and plastic bags out of the reach of children.
- Professional Installation Recommended - Otherwise, for your safety and ease, assembly by two people is recommended.

#### Hardware Included:

- (32) Shelf support peg (A)



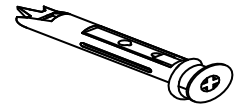
- (2) Toggle bolt (B)



- (2) Stud Mount Screw (C)



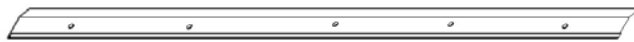
- (2) Toggle anchor (D)



- (1) Bubble level (E)



- (1) 30" wall bracket (F)



#### Pre-Assembly:

- Remove all parts and hardware from the box and lay out on a clear workspace, along with any plastic protective packaging. Do not dispose of any contents until assembly is completed to avoid accidentally discarding small parts or hardware.
- Use the parts and hardware lists above to identify and separate each of the pieces included.
- The illustrations provided allow for easier assembly when used in conjunction with the assembly instructions.

#### INSTALLATION SUMMARY:

- FIND WALL STUDS
- MOUNT WALL BRACKET TO THE WALL
- HANG THE PRODUCT ONTO THE MOUNTED WALL BRACKET

#### FIND WALL STUDS:

1. Determine the desired placement on the wall for this product. Within the desired mounting location, locate the wall studs using a stud finder and mark stud locations using a pencil. Note: The bracket is long enough to reach two studs. To ensure a strong wall-attachment, the bracket must be secured to the two studs, as well as using both Metal Toggle Anchors, provided.

#### MOUNT WALL BRACKET TO WALL

2. Insert the supplied bubble level into the channel of the wall bracket. Position the wall

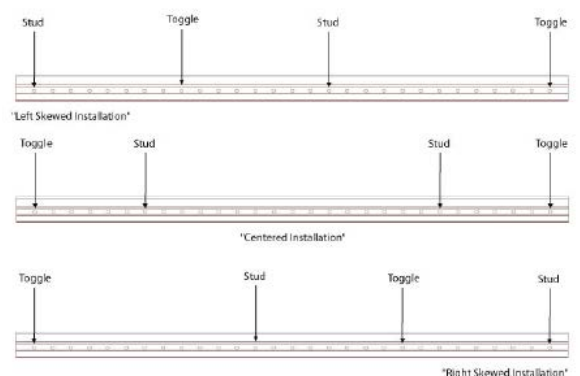


Figure 1

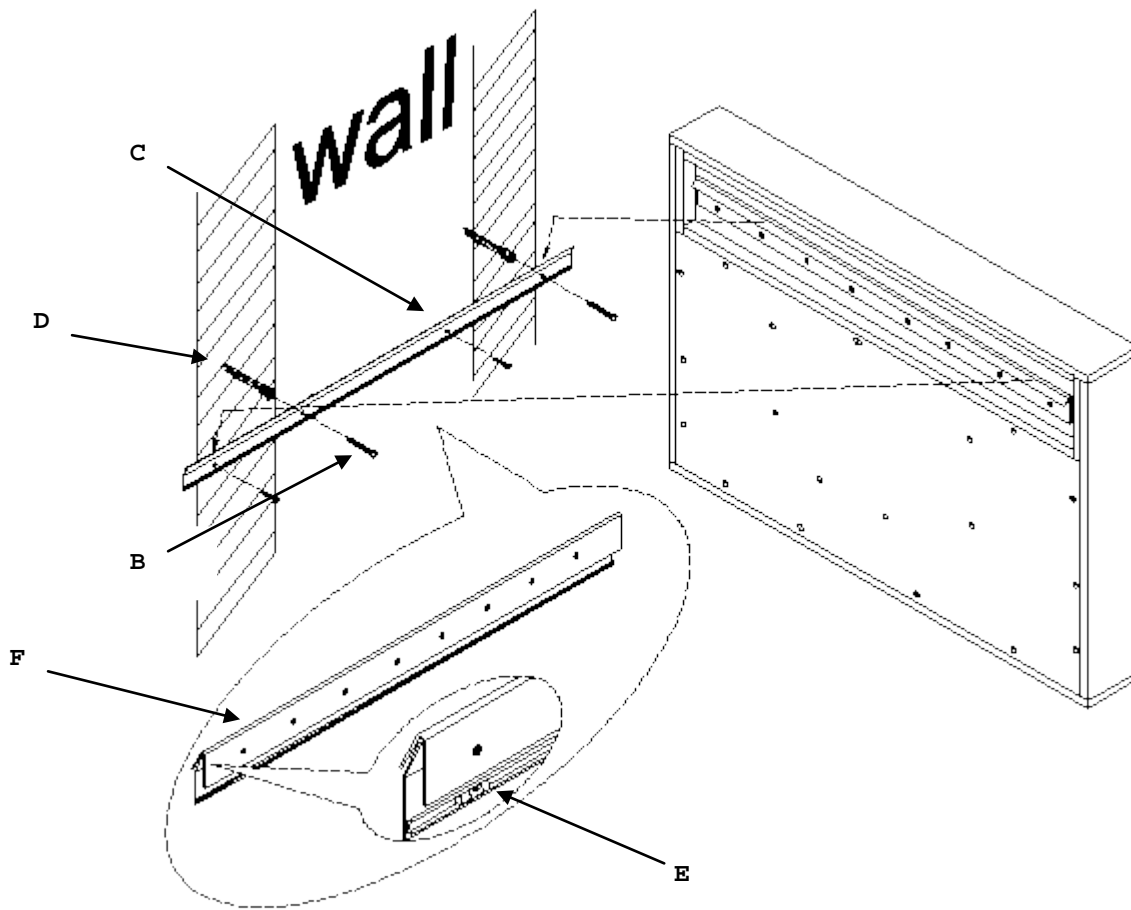
bracket on the wall and adjust so that the bracket is level and a pre-drilled hole of the bracket aligns with each of the two studs. Then, use a felt-tipped pen to mark the wall through appropriate pre-drilled holes of the bracket to indicate the locations of the Metal Toggle Anchors. Also make sure to mark the bracket itself at each selected pre-drilled hole using the pen. As shown in Figure 1, if the studs align in the middle of the bracket, then the toggle locations are at the very ends of the bracket. If the studs are at one end of the bracket, then the toggle locations will be at the other end. In other words, the locations of the Metal Toggle Anchors will depend on how the studs align with the bracket. The user should make sure that the studs and the two toggles are evenly spaced along the length of the bracket and that, if possible, the ends of the bracket should be secured using either a stud-mounted screw or a Metal Toggle Anchor.

3. Remove the wall mount bracket and set aside.
4. Using a manual screwdriver, drive a Metal Toggle Anchor into the drywall at each mark. To install these toggles into the wall, simply rotate them at the marked location as if they were a large screw, applying smooth even force. **DO NOT HIT THEM WITH A HAMMER AND DO NOT USE A POWER DRILL TO ROTATE THEM.** These toggles are designed to bore themselves into the wall. Continue rotating until the toggle head advances flush with the wall surface.
5. Once both end toggles are installed into the wall at the marked locations, reposition the wall bracket so that the marked holes of the bracket align with the toggles. Using the supplied toggle bolt secure the bracket to the installed toggles. Note: The toggle includes a nut portion that must be "set" into a locked position prior to using the product. This is done automatically as you rotate the toggle bolt into the toggle, but keep in mind that the bolt must be rotated quite a few times before the nut finally reaches this locked position. The nut will create resistance when it reaches the locked position within the wall.
6. Once the wall bracket is attached to each toggle using the toggle bolt, the bracket must be secured to the studs located along the bracket. Use the supplied stud mount screw to secure the wall bracket to the studs (note, a pre-drilled hole of the bracket should align with EACH stud location).

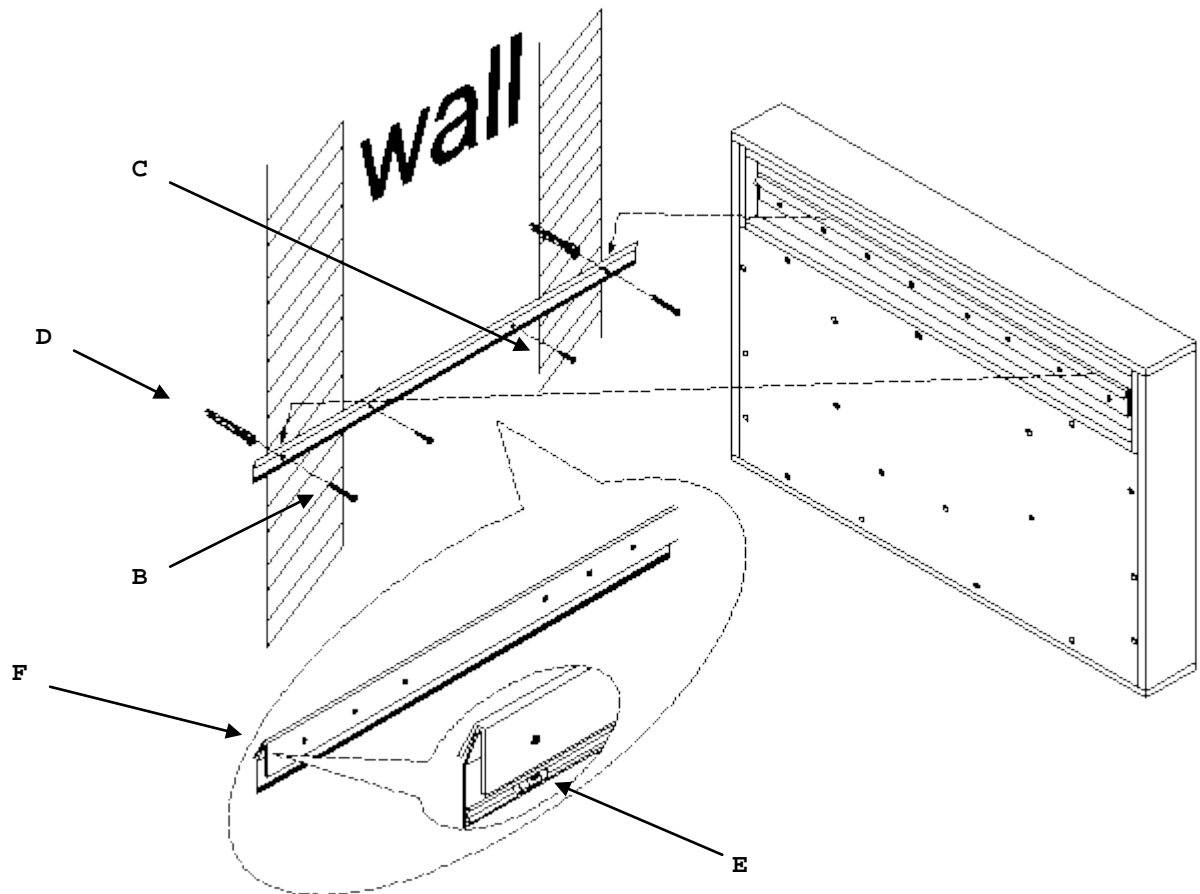
#### HANGING THE PRODUCT

1. On the back of your product is an affixed product-mounting bracket.
2. With the help of another person, carefully position the product-mounting bracket slightly above and against the wall mount bracket, insuring that the two brackets are aligned.
3. Press down firmly to engage the two brackets.
4. Your product is ready for use.

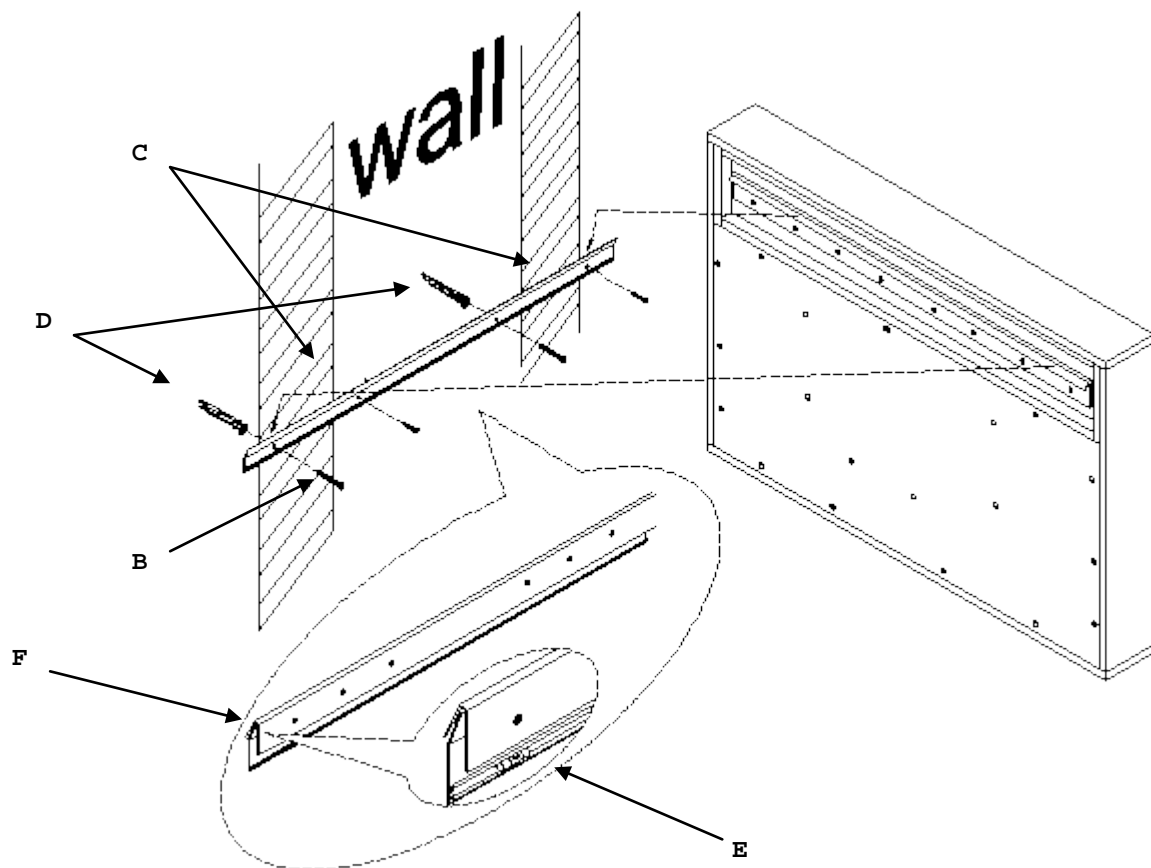
LEFT SKEWED INSTALLATION



CENTERED INSTALLATION

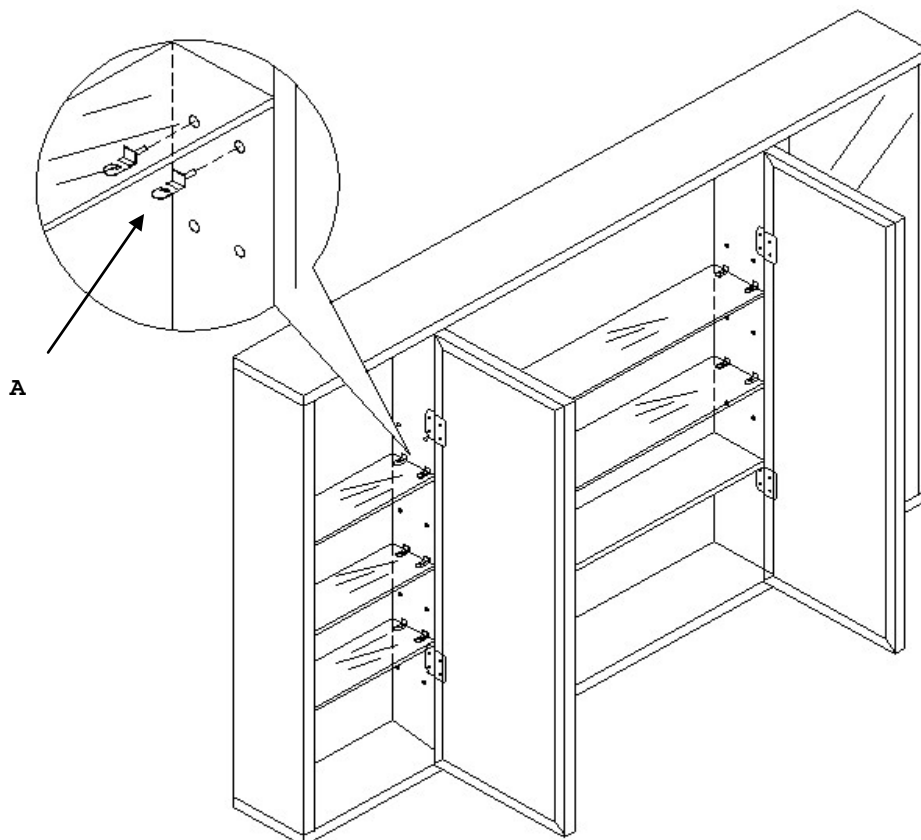


RIGHT SKEWED INSTALLATION



Shelf Installation:

1. Insert shelf support pegs into the corresponding holes at desired level. Make sure each of the peg pairs are at same level.
2. Gently place glass shelves onto the support pegs.



Care Instructions:

- Wipe cabinet with a soft, dry cloth.
- To protect the finish, avoid the use of all chemical and household cleaners and abrasives as they may damage finish.
- Use a small amount of glass cleaner and a soft cloth to clean glass shelves.

Thank you for your purchase

stores | catalog | [www.potterybarn.com](http://www.potterybarn.com)