

POTTERY BARN

22 In Standing Coat Rack

Assembly Instructions

Note: Assembly by two people recommended. Open the box safely and unpack all the included items. Do not discard packing until assembly is completed.

Parts Included:

- (2) Side Panel (A & B)
- (1) Bottom Panel (C)
- (1) Metal Rod (D)
- (2) Knob (E)

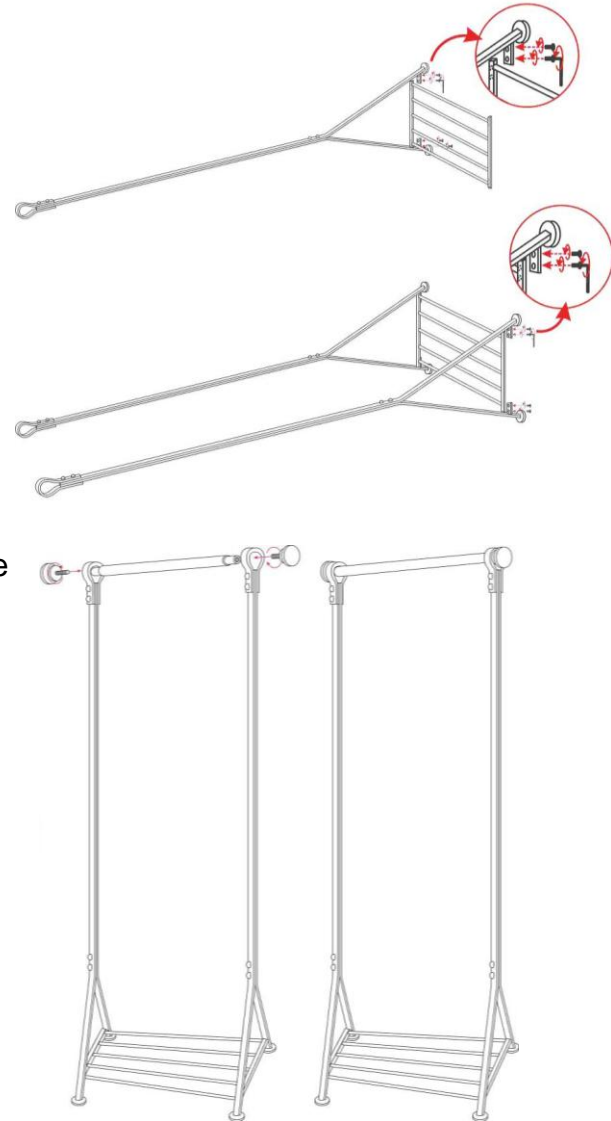
Hardware Included: (8) Allen Screws, (1) Allen Key

Step 1: Place the Side Panel (A) on the floor as per the illustration so its through holes match the holes provided on Bottom Panel (C) then insert allen screws and tight with the help of allen key provided. Do not completely tight.

Step 2: Now, Place the Side Panel (B) on the floor as per the illustration so its through holes match the holes provided on Bottom Panel (C), Insert Allen screws and tight with the help of Allen Key and then tight rest allen screws also.

Step 3: Now, place the assembled Panels on the floor vertically as per the illustration and insert Metal Rod (D) on the top of both Panels then insert Knob(E) on the both ends and rotate clockwise until tight.

Assembly is complete.



Care Instructions:

Wipe with a soft, dry cloth. Do not use any abrasive or chemical household cleaners.

Thank you for your purchase!
Stores | Catalog | www.potterybarn.com