

POTTERY BARN

HAMPTON MINI VANITY

Assembly Instructions

Hardware Included:

- 4 shelf brackets
- 2 shelves

Assembly Instructions:

1. Insert shelf brackets into holes at desired location inside cabinet. (Illustration 1)
2. Place shelves over shelf brackets, securely locking slot at shelf bottom onto pegs. (Illustration 2)

Illustration 1

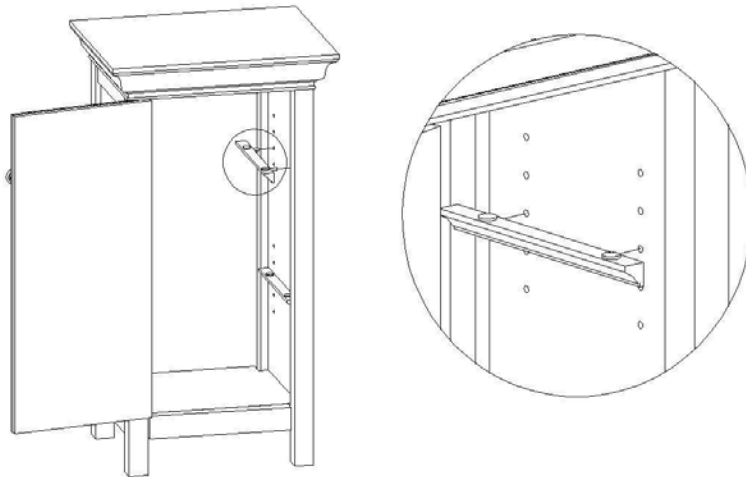
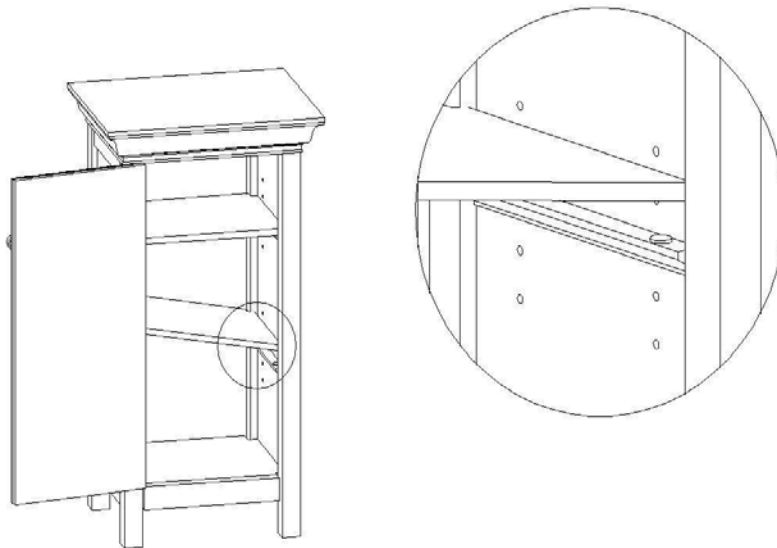


Illustration 2



Care Instructions:

- Wipe with a soft, dry cloth.
- To protect the finish, do not apply household cleaners or abrasives.