

POTTERY BARN

Hudson Daybed

Pre-Assembly:

- ❖ Please read all instructions carefully before assembly.
- ❖ For your safety and ease, assembly by two people is recommended.
- ❖ Carefully lay out and identify all parts and hardware prior to assembly.
- ❖ Save all packing materials until assembly is complete to avoid accidentally discarding small parts or hardware.

Part Included:

BOX 1

- (1) Headboard (A)

BOX 2

- (1) Footboard (B)

BOX 3

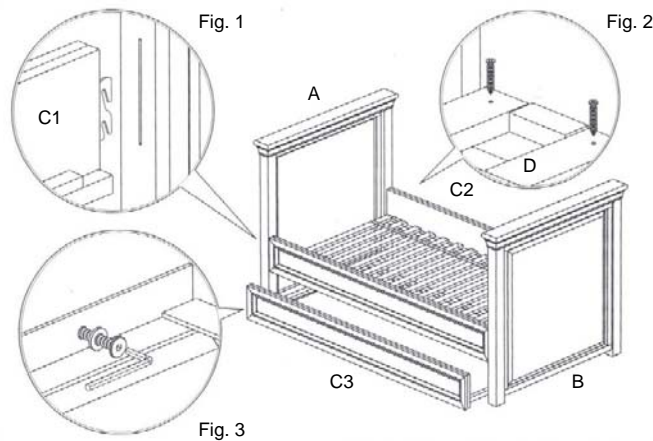
- (3) Side rails (C1, C2, C3)
- (1) Slat Roll (D)

Hardware Enclosed:

- (34) Wood screws $\frac{1}{4}$ x 1" (includes 2 additional screws)
- (4) Flat Head Screw M.6 x $\frac{7}{8}$ "
- (4) Flat Washer
- (1) Allen Wrench

Assembly instructions:

1. Attach side rails (C1, C2) to headboard (A) and footboard (B), placing hook into slot. Fig. 1)
2. Lay the slat roll (D) in place so the pre-drilled holes on the end of each slat lines up with the pre-drilled holes on the side rail lip. (Fig. 2)
3. Secure the slats by inserting the wood screws. Tighten screws with a Phillips screwdriver. (Fig. 2)
4. Install Metal Trundle on side rail (C3) using the flat head screw and flat washer. Tighten with Allen wrench. (Fig. 3)
5. Assembly is complete.



Care Instructions:

- For daily cleaning, dust with a dry, soft cloth.
- Avoid the use of chemical and abrasive cleaners.
- Wipe up spills immediately.

thank you for your purchase

store | catalog | www.potterybarn.com