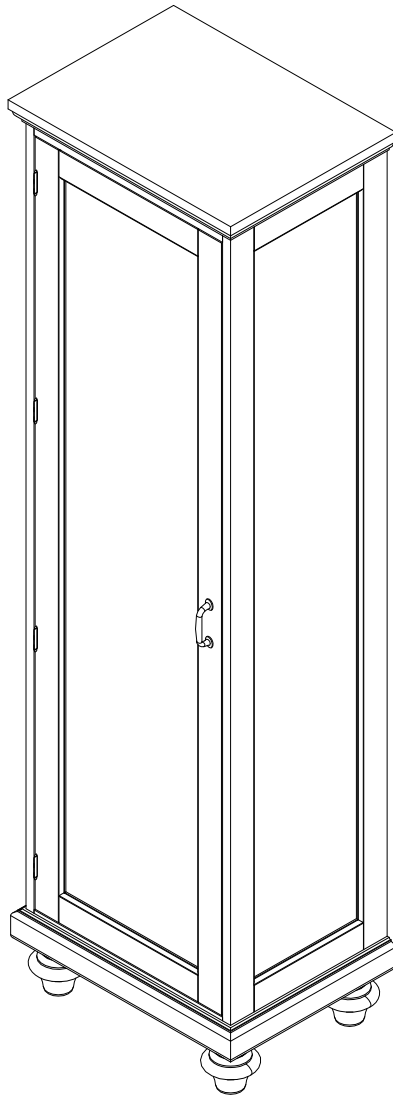


POTTERY BARN



STUART LINEN CLOSET (WALL MOUNTED)

Important Safety Instructions:

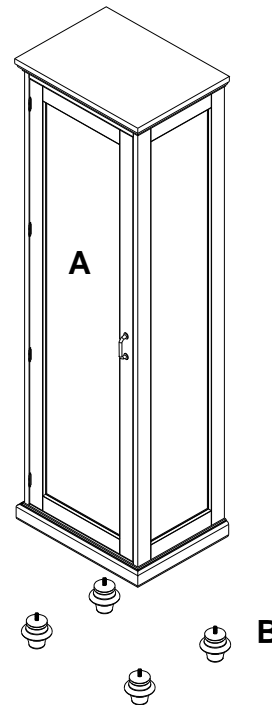
- Please read all instructions carefully before assembling.
- For your safety, assemble by two or more adults is strongly recommended.
- Keep instructions for future use.
- Use only vendor supplied hardware to assemble. Using unauthorized hardware could jeopardize the structural integrity of the item.
- **NOTE:** For safe mounting it is essential to use the proper hardware for your wall type. The hardware included is meant for drywall or wood stud mounting only. If walls are concrete, brick or plaster, please consult your local hardware store for assistance in selecting the appropriate hardware. The item is secured to the wall using either expanding anchors and long screws for drywall or just the wood screws if a mounting hole happens to align with a wall stud. Mount to wood studs whenever possible.

Pre-assembly:

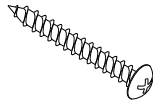
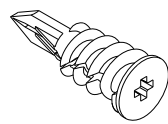
- Remove all parts and hardware from the box and lay out on a clear carpeted or scratch-free work surface, as this will avoid damaging parts during assembly. The shipping box provides an ideal work surface.
- Do not dispose of any packaging or contents of the shipping carton until assembly is completed to avoid accidentally discarding small parts or hardware.
- Use the parts and hardware lists below to identify and separate each of the pieces included.
- The illustrations provided allow for easier assembly when used in conjunction with the assembly instructions.
- The use of power tools to aid in assembly is not recommended. Power tools can damage hardware and split wood.

Parts Included:

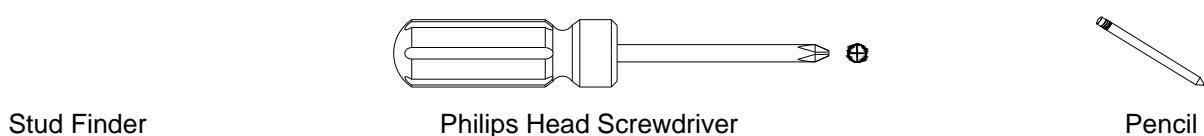
- (A) Cabinet 1x
- (B) Foot 4x



Wall Mounted Hardware Included:

| | |
|--|---|
| <p>(C) Anchor Screw</p>  <p>45mm 1x</p> | <p>(D) Drywall Anchor</p>  <p>1x</p> |
|--|---|

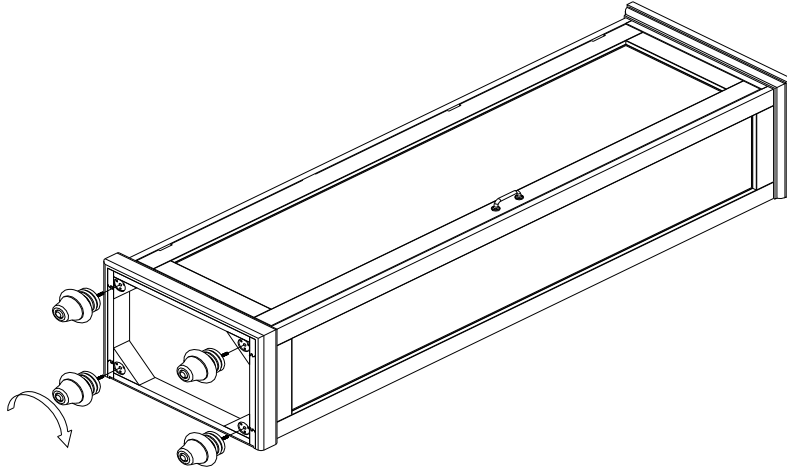
Tools Required (not included):



Assembly Instruction Steps:

1. Foot Assembly

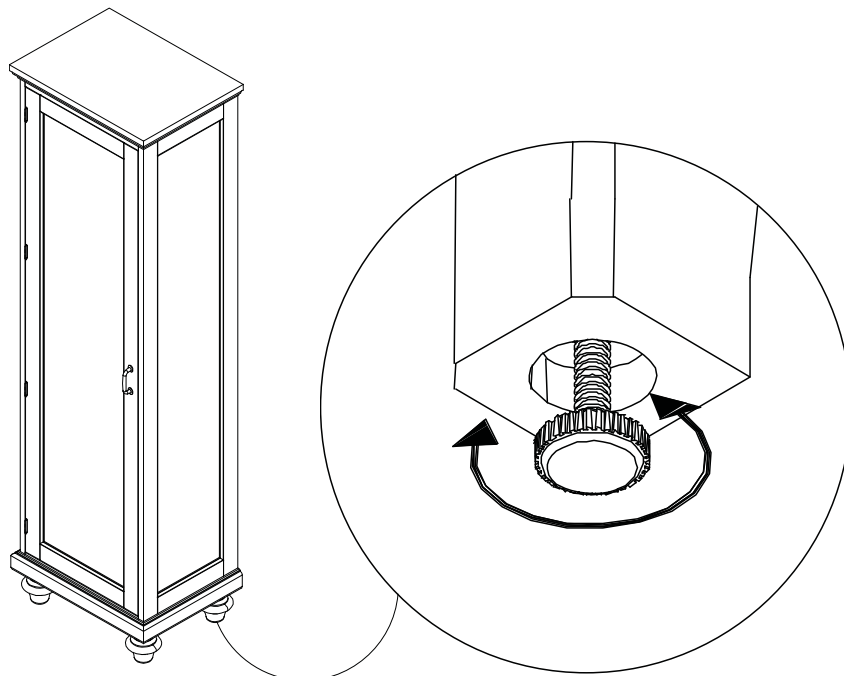
- 1) Secure a flat clean smooth surface.
- 2) Lay the cabinet to the prepared surface, the door should be facing upwards.
- 3) Screw the foot one at a time firmly.
- 4) Carefully turn the cabinet upright and place the cabinet standing to the desired location.



2. Adjusting the levelers:

Due to an uneven floor, the furniture may not sit level due causing it to wobble. If the Buffet wobbles, determine which corner does not touch the ground correctly. With two people follow these steps:

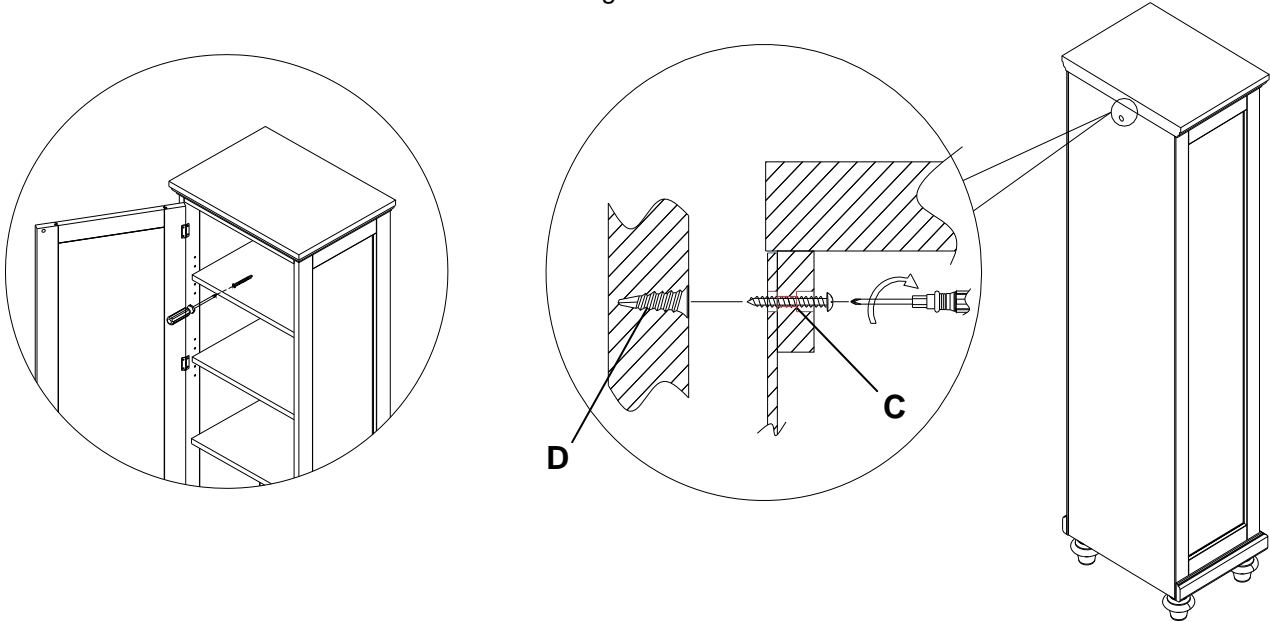
- 1) Carefully elevate the item slightly to provide access to the levelers attached to the bottom.
- 2) Turn the levelers until adequate contact will be made with the floor. Gently set down the piece and check stability.
- 3) Repeat steps until furniture sits firmly on the ground.



3. Mounting the Cabinet onto the wall:

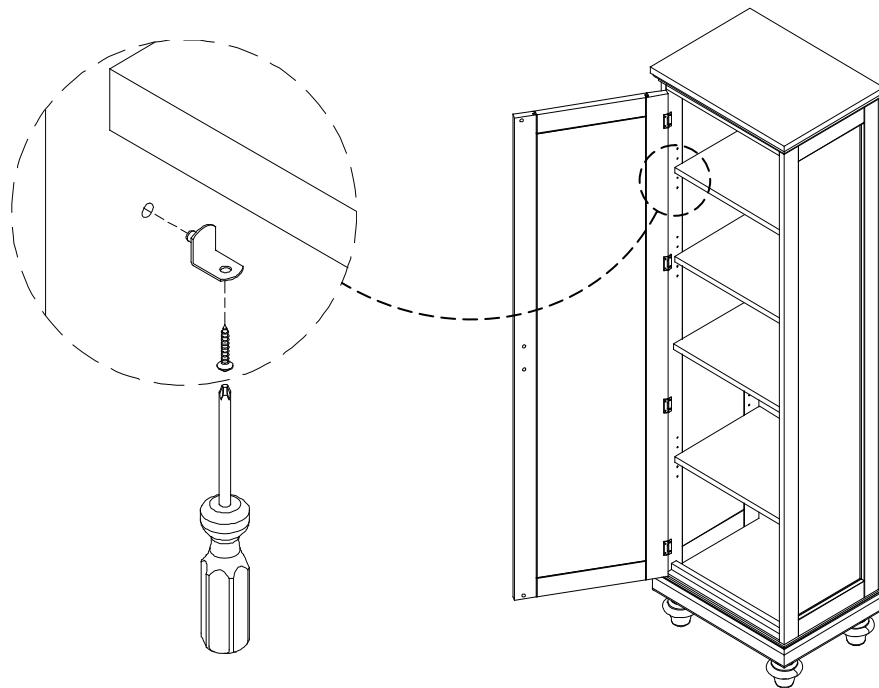
- 1) The provided anchor is needed for drywall applications but cannot penetrate into wall studs (wood). Therefore, we recommend that you use a stud finder to determine if any of the insertion marks align with a wall stud. If so, only a screw will be used at that mark. If not, then both an anchor and an anchor screw will be used. Mount to wood studs whenever possible.

- 2) Place the cabinet against the wall, open the door and using a pencil to mark the hole from back panel as shown, this will be the exact location of the provided hardware. Set the cabinet aside so you have access to its rear surface.
- 3) For marks that do not align with a wall-stud, use a screwdriver to engage an anchor and position the tip against the wall at one of the insertion marks. Gently push the anchor into the wall as you rotate the anchor clockwise. Continue rotating until the large flange of the anchor is flush with the wall. Repeat this step with the other anchor and non-stud marks.
- 4) Place back the cabinet against the wall. Use a screwdriver to secure a provided anchor screw thru the hole of back panel and into either an awaiting installed anchor, or directly into the wall if the hole aligns with a wall stud. Rotate the screw clockwise until tight.



4. Adjusting the shelves

To change the position of a shelf: first remove the short wood screws from the bottom of the shelf pin. Remove the shelf and relocate the shelf pin to another set of pre-bored holes. Gently rest the shelf on to the shelf pin and re-insert short wood screws. Tighten with Philips Head Screwdriver.



Care Instructions:

- Dust often using a clean, soft, dry and lint-free cloth.
- Blot spills immediately and wipe with a clean, damp, cloth.
- We do not recommend the use of chemical cleansers, abrasives or furniture polish on our lacquered finish.
- Hardware may loosen over time. Periodically check to make sure all connections are tight. Re-tighten if necessary. **DO NOT** over tighten.

Thank you for your purchase
Stores | catalog