

P O T T E R Y B A R N

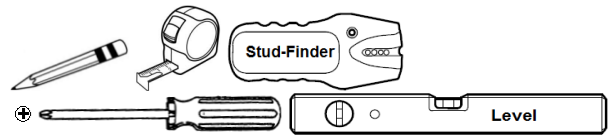
Studio Bakery Sign

Mounting Instructions

Hardware(Included):

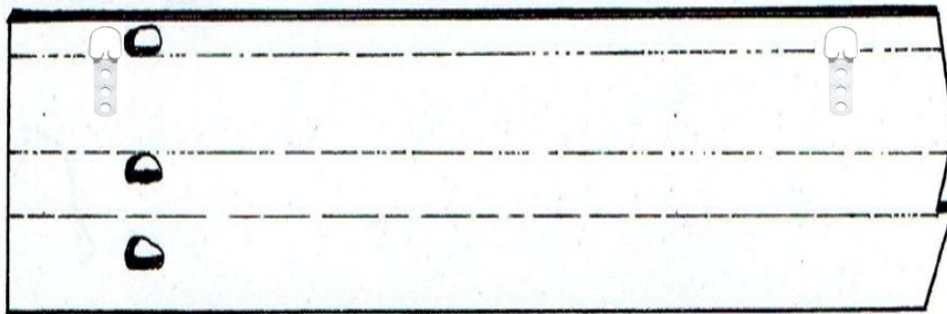


TOOLS NEEDED (not included):



The hardware included with this item is meant for drywall or stud mounting only. If your walls are made from concrete, brick or plaster, please consult your local hardware store for assistance in selecting the appropriate hardware.

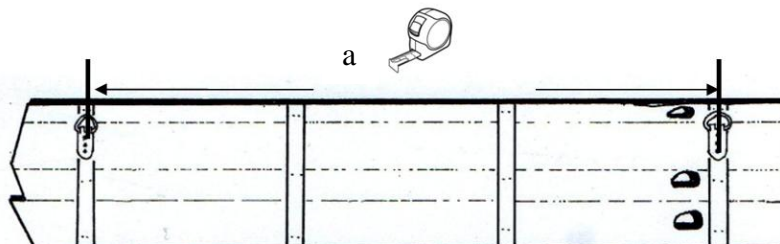
Hanging Orientation:



Mounting Instruction:

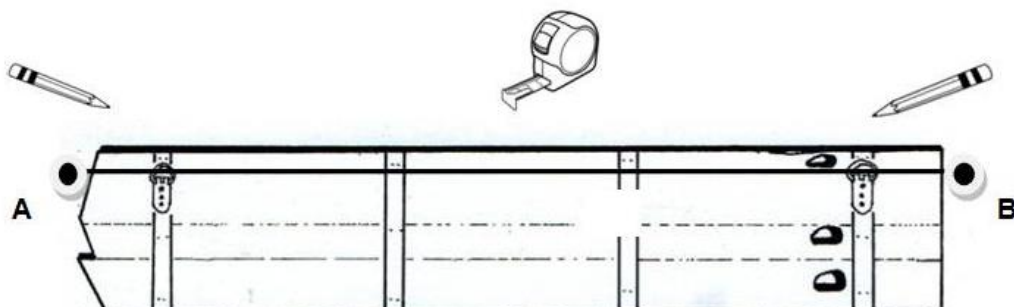
1

Measure the distance between the center of the two D-rings.

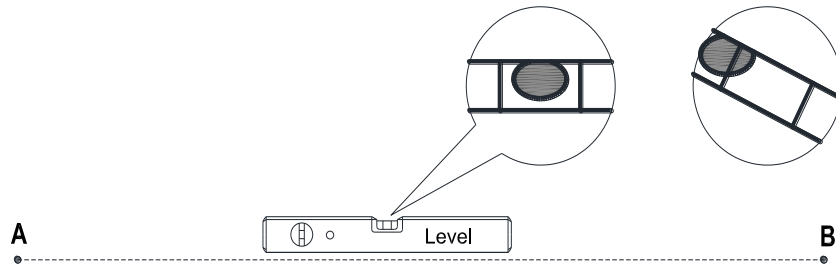


2

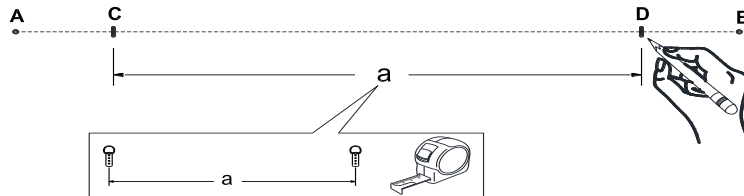
With the back of the Bakery Sign facing away from the wall, hold it against the wall at a desired mounting location. Mark two reference points(A, B) on the wall as shown.



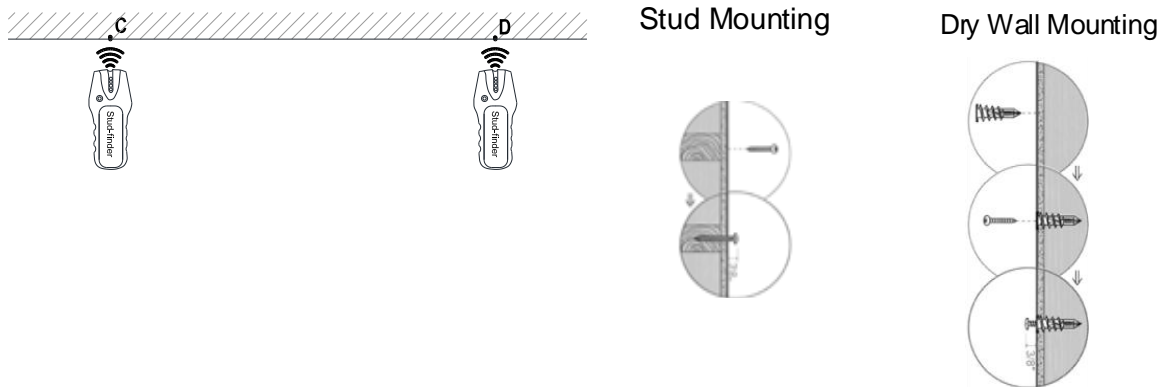
- 3** Connect the two points (A, B) with a light pencil line. Use a level to ensure that the line is level.



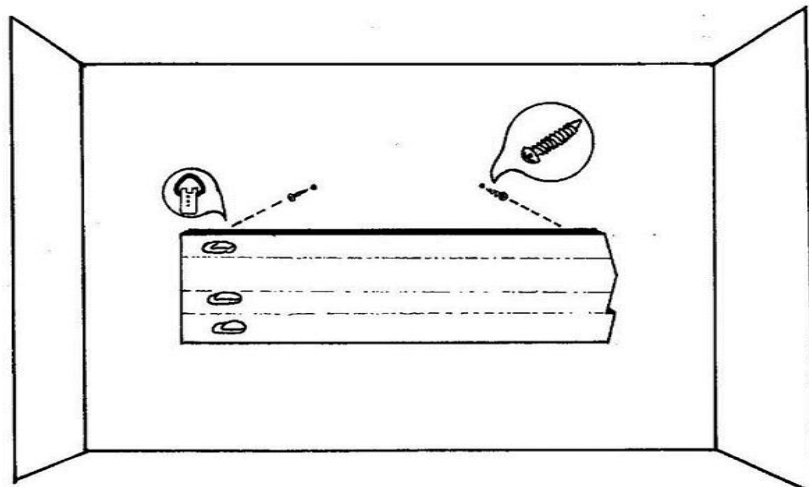
- 4** Make two insertion marks (C, D) centered along the line using the measurement "a".



- 5** Use a stud-finder to determine if there is a wall stud[s] located at [each] either insertion mark. Install the proper hardware, as shown below. Note that the head of each screw resides about 3/8" from the wall.



- 6** With the help of another person, hang the item to the wall so that the D-ring engage screw heads.



Care Instructions:

- Dust often with a soft, dry cloth
- Avoid using strong chemical or abrasive cleaners.