

P O T T E R Y B A R N

VINTAGE WRITING DESK ASSEMBLY INSTRUCTION



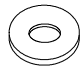

Pre - assembly :

- Please read all instructions carefully before beginning assembly.
- For your safety and convenience, assembly by two persons or more is recommended.
- Save all packing materials until assembly is complete to avoid accidentally discarding small parts or hardware.

Parts Included :

A	Top Assembly	1	Pc
B	Legs	4	Pcs

Hardware Included :

I.	Hexagonal Nut	8 pcs	
II.	Lock Washer	8 pcs	
III.	Flat Washer	8 pcs	
IV.	Wrench	1 pc	

Assembly Step:

1. PREPARE FOR ASSEMBLY :

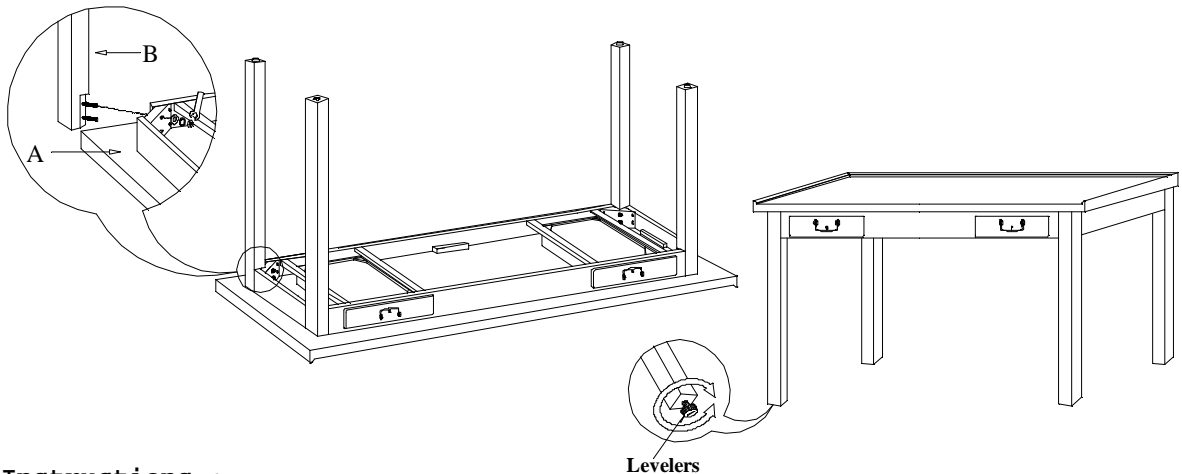
Two persons or more should assist each other in turning the top assembly " upside down " onto a smooth surface such as a carpeted floor (the shipping box works well).

2. ATTACH LEGS TO THE TOP ASSEMBLY :

Get one Leg and insert the pre-mounted bolt thru the corner block holes and place the flat washer then the lock washer and the hexagonal nut and tighten with the open wrench provide. Repeat for the remaining legs. Make sure all Bolts are fully tightened before returning the table to an upright position.

3. HOW TO ADJUST THE LEVELERS :

If the floor is uneven adjust the levelers located at the underside of the legs, to do this lift up the side that need to be elevated to provide access to the levelers, turn the leveler until adequate contact with the floor.



Care Instructions :

- For daily cleaning, dust with a dry soft cloth.
- Always avoid the use of chemical and abrasive cleaners.
- Wipe off spills immediately.

thank you for your purchase
stores | catalog | www.potterybarn.com