

P O T T E R Y B A R N

Mia Pendant Large Assembly and Installation Instructions

CAUTION:

- **BEFORE INSTALLING FIXTURE, MAKE SURE THE POWER TO THE CIRCUIT IS TURNED OFF AT THE MAIN FUSE BOX / CIRCUIT BREAKER UTILITY BOX.**

Important Safety Instructions:

- These instructions are provided for your safety. It is important that they are read carefully and completely before installing fixture.
- We strongly recommend that a professional electrician install all direct wire fixtures.
- **THIS PRODUCT MUST BE INSTALLED IN ACCORDANCE WITH THE APPLICABLE INSTALLATION CODES BY A PERSON FAMILIAR WITH THE CONSTRUCTION AND OPERATION OF THE PRODUCT AND THE HAZARDS INVOLVED.**
- This fixture has been rated for up to three (3) **40Watt maximum TYPE B standard (candelabra) incandescent light bulbs** (not included) or three (3) **9-Watt compact fluorescent bulbs** (not included). To avoid the risk of fire, **DO NOT EXCEED THE RECOMMENDED WATTAGE.**
- The lighting fixture is meant for indoor use, **DRY LOCATIONS ONLY**. It must be connected only to 3-wire, single-phase electrical supply systems (provided with Ground wire or equivalent protection system).
- **Save these instructions.**

WARNING:

- **To reduce the risk of fire, electrical shock or personal injury, always turn off light fixture and allow it to cool prior to replacing light bulb.**
- **Do not touch bulb when fixture is turned on. Do not look directly at lit bulb.**
- **Keep flammable materials away from lit bulb**
- **This lighting fixture contains lead, a chemical known to the State of California to cause cancer, birth defects and other reproductive harm. Wash hands after installing, handling, cleaning or otherwise touching this light fixture.**

Pre-assembly:

- For your safety and convenience, assembly by two people is recommended.
- Remove all parts and hardware from box along with any plastic protective packaging.
- Do not discard any contents until after assembly is complete to avoid accidentally discarding small parts or hardware.

Parts Included:

- (1) Mounting Plate (A)
- (1) Green Ground Screw (B)
- (1) Canopy (C)
- (1) Canopy Nut (D)
- (1) Hanging Loop (V)
- (1) Fixture Loop (E)

Hardware Enclosed:

- (3) Plastic Wire Nut Connectors (T)
- (3) Mounting Screws (U)
-- include one extra screw
- (2) Lock Washer (W)
-- include one extra washer

- (1) Small Filigree Metal Band (F)
- (1) Center Tube (G)
- (2) Threaded Nipple (H)
- (1) Big Filigree Metal Band (I)
- (1) Threaded Pole (J)
- (1) Metal Plate (K)
- (1) Large Finial (L)
- (36) Long Beaded Strings (M)
- (36) Short Beaded Strings (N)
- (3) Socket (O)
- (1) Threaded Tube (P)
- (2) Hex Nut (Q)
- (1) Chain (R)
- (2) Closable Links with Screw Caps (S/Fig.2)

TOOLS REQUIRED (not included): Ladder, Phillips Head & Flat Blade Screwdrivers, Wire Cutter/Stripper & Electrical Tape.

To adjust the suspension length of the fixture:

1. Note: The adjustment or shortening of the lighting fixture's suspension length is only needed if the factory set chain length is not appropriate for your installation. We recommend that you adjust the chain to the proper desired length before cutting the electrical cord.
2. Determine the lighting fixture suspension length from the ceiling for the product installation, allowing the extra cord length for the outlet junction box wire connections as noted below.
3. Pull out the fixtures 2 wire power cord and bare ground wire woven through the Chain (R).
4. The chain length may be shortened from either end, if desired, by using pliers to separate a link along a split-line formed in each link. Use two pairs of pliers to gently pry the link apart so that a space is created large enough for the link to be removed from the remaining chain. Use a cloth or folded piece of paper between the pliers and the link to protect the finish of the link during bending. For longer lengths of chain to be removed, select the desired link from either end to open and remove the length of chain. Once the chain is at the desired length, reattach the chain (if it isn't already) to the two Closable Links with Screw Caps (S) at each end of the chain. Secure each link by tightening the Closable Link Screw Cap (Fig2). One Closable Link with Screw Cap (S) must be attached to both the Chain (R) and Fixture Loop (E) at the top of the Chandelier Body and the other Closable Link with Screw Cap (S) must be securely attached to the other end of the Chain (R) and Hanging Loop (V).
5. Re-weave the fixtures 2 wire power cord and bare ground wire through to the top of Chain (R).
6. If needed, (depending upon final fixture hanging position from the ceiling), cut off the extra power cord length on the 2 wire cord and bare ground wire. Make sure when cutting the power cord and bare ground wire to cut them so that they all are at least 6 inches (152.4 mm) long within the outlet junction box (J-box). Prepare the cut power cord wires using the following steps. Use wire strippers to prepare the ends of the two wires so that there is about 1/2 inch of exposed wire for the Plastic Wire Nut Connectors (T).

Assembly & Installation Instructions:

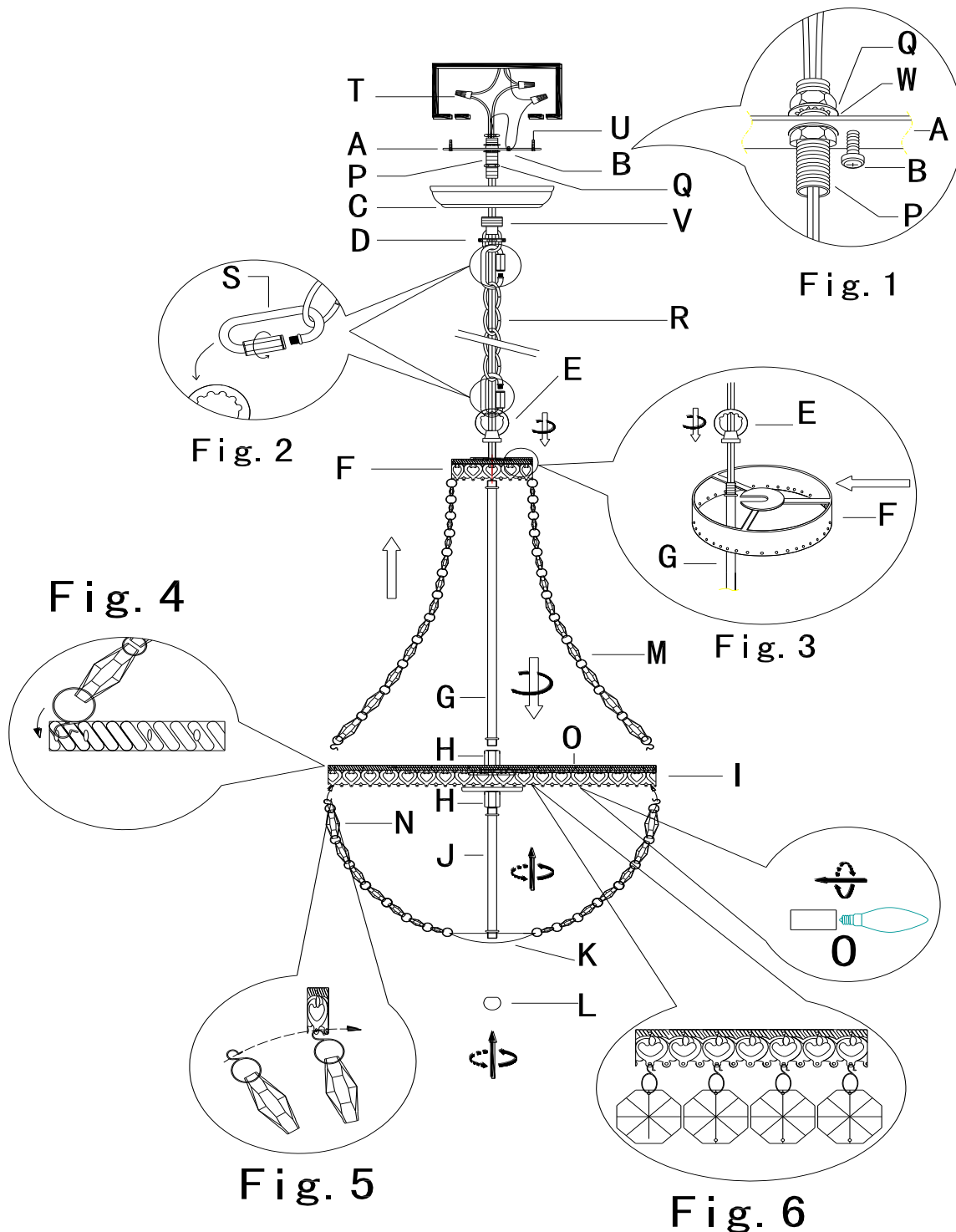
1. SHUT OFF THE MAIN ELECTRICAL SUPPLY FROM THE MAIN FUSE BOX/CIRCUIT BREAKER!
2. Carefully unpack all fixture parts and hardware and lay them out on a clear workspace.

3. Screw the Center Tube (G) to the Thread Nipple (H) in a clockwise direction until tight, position the center plate of Small Filigree Metal Band (F) onto the top of Center Tube (G), as Fig. 3, and secure it in place by turning the Fixture Loop (E) onto the Center Tube (G) in a clockwise direction until tight.
4. Attach the Long Beaded Strings (M) onto the Big Filigree Metal Band (I) (as Fig.4).
5. Screw the Threaded Pole (J) to the Threaded Nipple (H) in a clockwise direction until tight.
6. Position the Metal Plate (K) with Short Beaded Strings (N) onto the Threaded Pole (J) and secure it in place by turning the Large Finial (L) in a clockwise direction until tight.
7. Attach the Short Beaded Strings (N) onto the Big Filigree Metal Band (I) (as Fig.5), use every other hole for the strings (as Fig.6).
8. Unscrew the Closable Link Screw Cap from the lower Closable Link (S), and insert the bottom loop of Chain (R) and Fixture Loop (E) into the Closable Link (S). Tighten the Closable Link Screw Cap as shown in Fig.2
9. Re-weave the fixtures 2 wire power cord and bare ground wire through to the top of Chain (R).
10. Slip Canopy Nut (D) first and then position Canopy (C) over the upper end of Chain (R), and continue to pass the 2 wire cord and bare ground wire through the central wiring hole in Hanging Loop(V) and Threaded Tube (P).
11. Unscrew the Closable Link Screw Cap from the upper Closable Link (S), and insert the top loop of Chain (R) and Hanging Loop (V) into the Closable Link (S). Tighten the Closable Link Screw Cap as shown in Fig.2
12. If the parts are not already preassembled, attach the Threaded Tube (P) into the threaded bore of the Hanging Loop (V) and rotate the Threaded Tube (P) clockwise until it is tightly engaged within the Hanging Loop (V). If the Threaded Tube (P) is not yet secured to the Mounting plate (A), do so now so that a portion of the Threaded Tube (P) extends beyond the Mounting plate (A).
13. Position the Lock Washer (W) first and then the Hex Nut (Q) onto the extended upper portion of the Threaded Tube (P). Make sure the length of the Threaded Tube (P) is longer on the bottom end, as shown in Fig. 1. Tighten the Hex Nut (Q) until tight using a hex wrench or a pair of pliers so that the Hanging Loop (V) is now firmly secured to the middle of the Mounting plate (A).
14. Feed the fixtures 2 wire power cord and bare ground wire through to the Hanging Loop (V) and the Short Threaded Tube (P).
15. Carefully inspect the fixtures wires. The NEUTRAL FIXTURE WIRE has FINE LONGITUDINAL RIDGES running along its length. The HOT FIXTURE WIRE is SMOOTH and the bare copper wire is the GROUND WIRE. If you have any doubt and cannot identify the power-supply wires with confidence, then we recommend that you ask an electrician and that you not continue with the installation.
16. Gently pull existing wire down from the ceiling junction box and allow it to hang. The HOT or LIVE wire is usually black. The NEUTRAL wire is usually white. Check to see if there is a ground wire that is usually green or green with a yellow stripe or exposed copper metal wire. If needed, use a pair of wire strippers to remove about 1/2 inches of insulation from each wire.
17. Attach the GROUND WIRE from the fixture to the GROUND JUNCTION BOX WIRE from the ceiling outlet junction box (J-box) (usually green insulation or bare wire). Fasten each together with a Plastic Wire Nut Connector (T) by twisting the connector in a clockwise direction and wrap the connection with electrical tape. Be sure that no wire strands are exposed. If your outlet junction box DOES NOT have a GROUND WIRE, be sure to insert the Green Ground Screw (B) into the Mounting Plate (A), marked as "GND", facing downward and wrap the fixture's bare ground wire around the Green Ground Screw (B). Tighten screw to clamp ground wire between ground screw head and Mounting Plate (A). **IT IS IMPERATIVE THAT THE JUNCTION BOX IN YOUR HOME BE PROPERLY GROUNDED!**
18. Connect the NEUTRAL FIXTURE WIRE to the NEUTRAL JUNCTION BOX WIRE (usually white insulation). Fasten each together with a Plastic Wire Nut Connector (T) by twisting the connector in a clockwise direction and wrap the connection with electrical tape. Be sure that no wire strands are exposed.
19. Connect the HOT FIXTURE WIRE to the HOT JUNCTION BOX WIRE (usually black insulation). Fasten each together with a Plastic Wire Nut Connector (T) by twisting the connector in a clockwise direction and wrap the connection with electrical tape. Be sure that no wire strands are exposed. **DO NOT REVERSE THE HOT AND NEUTRAL CONNECTIONS OR SAFETY WILL BE COMPROMISED.**
20. Gently tuck the wire connections neatly into the ceiling junction box.
21. With the help of another person to hold the weight of the fixture, attach the Mounting Plate (A) to the ceiling outlet box using two Mounting Screws (U). Tighten screws with a screwdriver until secure.
22. Slide the Canopy (C) upward along the chain and the upper rim of the canopy should be pressed gently against the ceiling surface, covering the junction box and Mounting Plate (A). Attach the Canopy Nut (D) onto the Hanging Loop (V) by rotating in a clockwise direction until secure. Do not over tighten this nut. Screw it by finger should be sufficient to hold the canopy firmly in place.

23. Insert (3) 40Watt maximum TYPE B standard (candelabra) incandescent light bulb (no included) or 9-Watt compact fluorescent bulb (not included) into the Socket (O). **DO NOT EXCEED SPECIFIED WATTAGE.**
24. Restore power to junction box and text fixture.
25. Assembly is completed.

CARE INSTRUCTIONS:

- Wipe clean with a soft, dry cloth or static duster.
- Always avoid the use of harsh chemicals or abrasive cleaners as they may cause damage to the fixture's finish.



thank you for your purchase

Stores | catalog | www.potterybarn.com