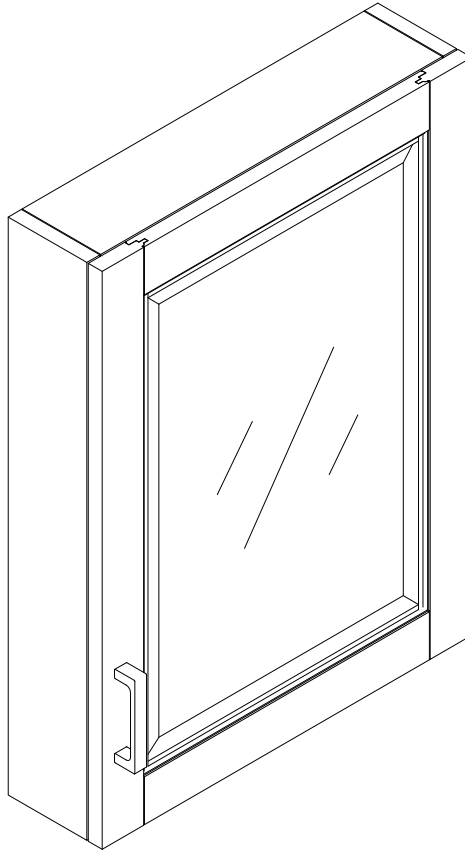


POTTERY BARN



MAXFIELD WALL MOUNTED MEDICINE CABINET RIGHT XL

Important Safety Instructions:

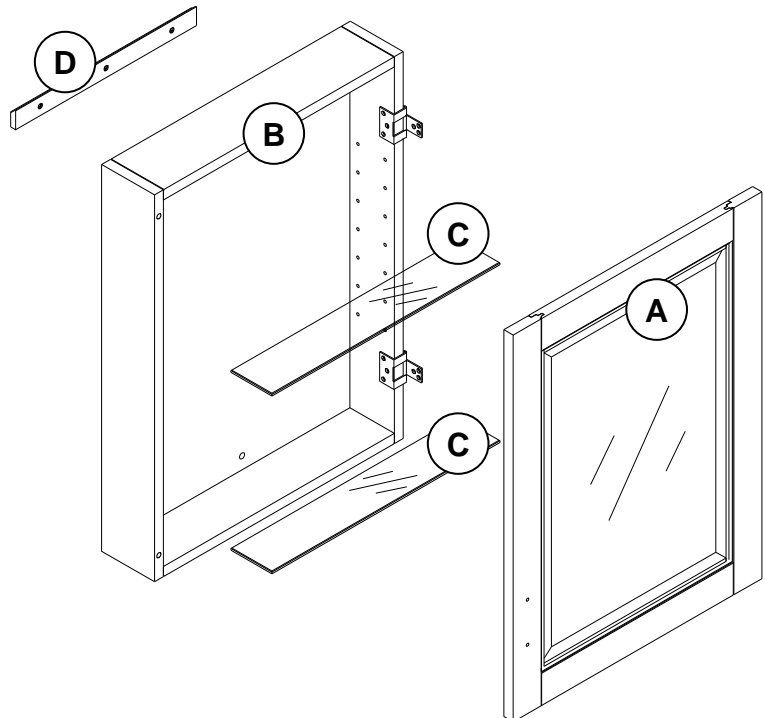
- **Note:** Professional installation required
- Please read all instructions carefully before assembling.
- For your safety, assembly by two or more adults is strongly recommended.
- Keep instructions for future use.
- Use only vendor supplied hardware to assemble. Using unauthorized hardware could jeopardize the structural integrity of the item.
- This hanging system is meant for drywall/stud mounting only.
- If walls are concrete, brick or plaster, please consult your local hardware store for assistance.
- The maximum individual shelf weight capacity is 20lbs. Do not exceed the load capacity.

Pre-assembly:

- Remove all parts and hardware from the box and lay out on a clear carpeted or scratch-free work surface, as this will avoid damaging parts during assembly. The shipping box provides an ideal work surface.
- Do not dispose of any packaging or contents of the shipping carton until assembly is completed to avoid accidentally discarding small parts or hardware.
- Use the parts and hardware lists below to identify and separate each of the pieces included.
- The illustrations provided allow for easier assembly when used in conjunction with the assembly instructions.
- The use of power tools to aid in assembly is not recommended. Power tools can damage hardware and split wood.

Parts Included:

- | | | |
|-----|-------------|-----|
| (A) | Door | 1 x |
| (B) | Cabinet | 1 x |
| (C) | Glass Shelf | 2 x |
| (D) | Wall Rail | 1 x |

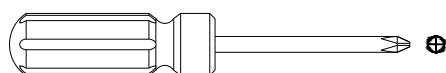


Hardware Included:

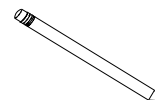
(E) Handle	(F) Handle Screw	(G) Toggle Anchor	(H) Screw	(I) Rubber Pad	(J) Toggle Screw	(K) Shelf Pin
	 Dia. 5/32"x3/4"	 Dia. 14*12mm	 Dia. 5x16mm		 Dia. 4x38mm	
1 x	2 x	4 x	6 x	2 x	4 x	8 x

Tools Required (not included):

- Stud Finder
- Level
- Tape Measure



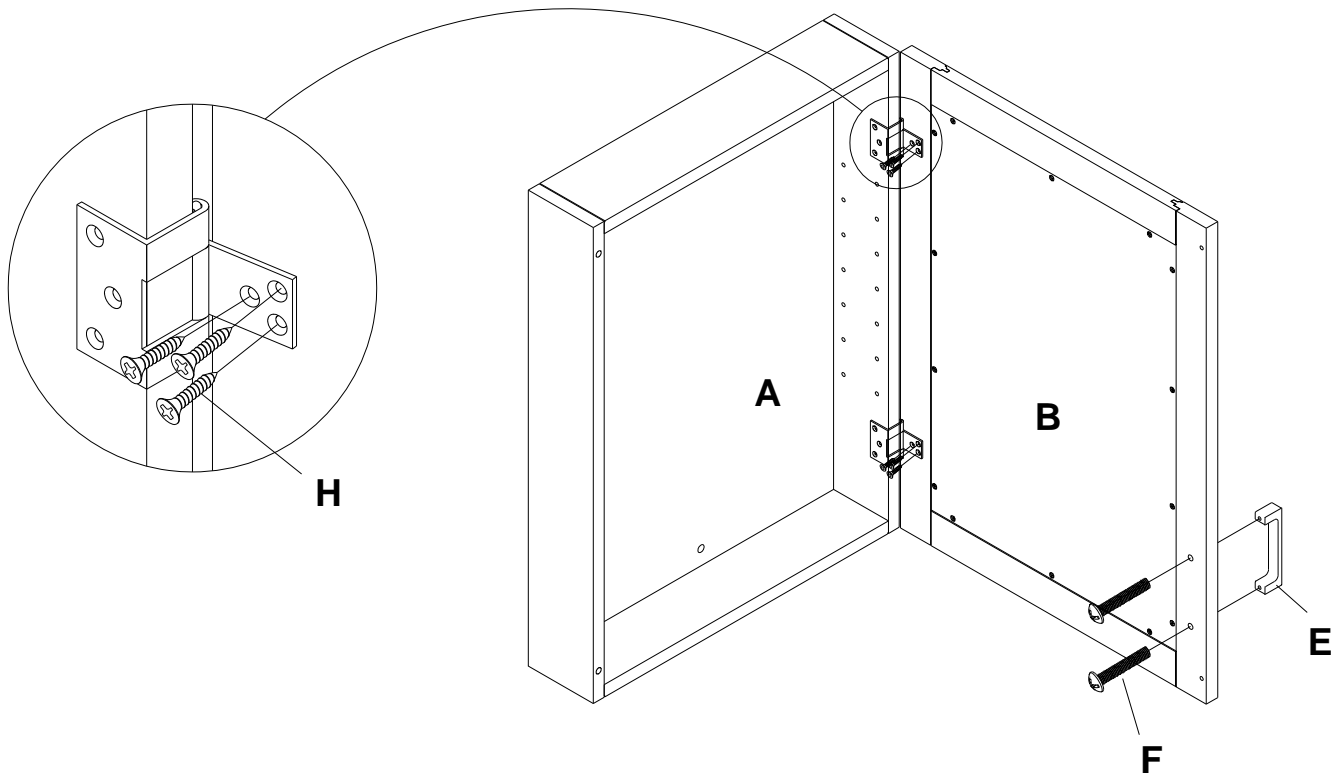
Philips Head Screwdriver



Pencil

Assembly Instruction Steps:

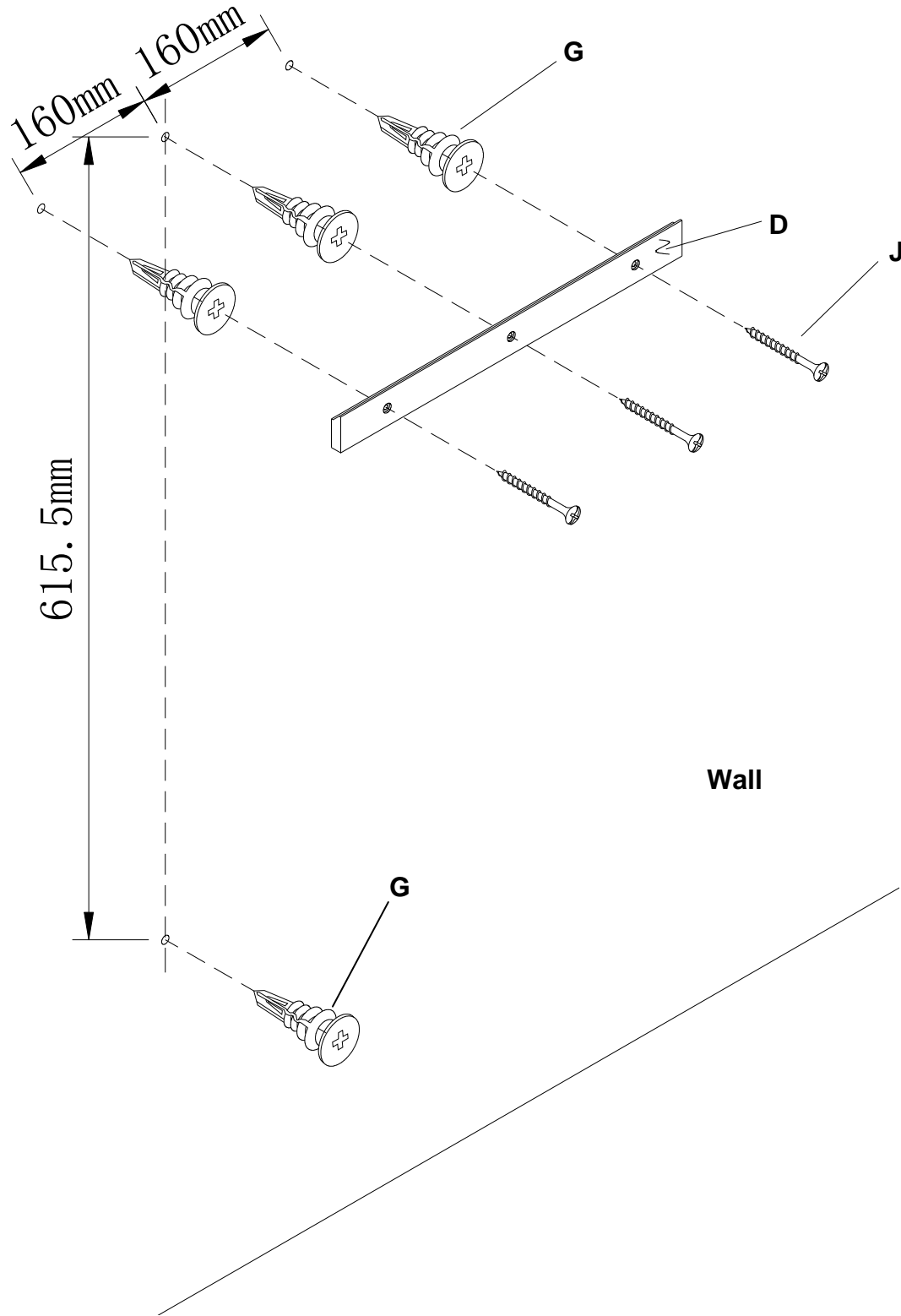
1. Attach the door (A) to the cabinet (B) using screw (H), securely tighten with Philips head screwdriver.
Attach the handle (E) to door (A) using handle screw (F), securely tighten with Philips head screwdriver.



2. Mounting the Cabinet to the Wall:

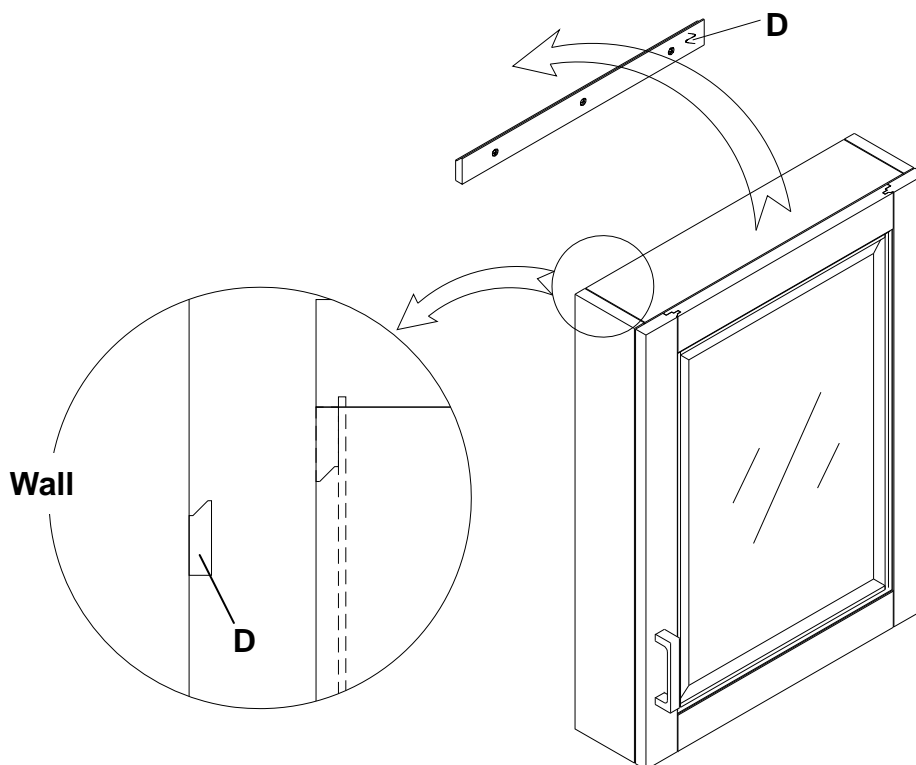
- 1) Place a level on the cabinet and with the help of another person, position the cabinet against the wall at a desired location. Adjust the cabinet so that it is level and then use a pencil to mark the wall along the top surface. Set the cabinet aside so you have access to its rear surface.
- 2) The wall cleat may already be attached to the cabinet. If not, hold the wall cleat into engagement with the receiving cleat which is located about an inch below the top of the cabinet on the back. The wall cleat has a sharp edge that should face up and towards the front of the cabinet. Use the tape measure to measure the exact distance between the top of the cabinet and the bottom edge of the wall cleat. This is measurement "A".
- 3) Back at the wall, use the tape measure to make a line below the line you drew in step (1). Make this lower line so that it is spaced a distance equal to measurement "A". Use the level again just to make sure that this lower line is level.
- 4) Separate the wall cleat from the cabinet and hold it against the wall so that its bottom edge aligns with this lower line (the sharp edge of the cleat must be facing up and away from the wall). Hold the cleat in place and use a sharp pencil, or a screw to mark the wall through each of the holes located in the cleat. These marks are the insertion marks for the provided hardware.
- 5) The provided toggles are needed for drywall applications, but cannot penetrate into wall studs (wood). Therefore, we recommend that you use a stud finder to determine if any of the insertion marks align with a wall stud. If so, only a screw will be used at that mark. If not, then both a toggle and a screw will be used.
- 6) For marks that do not align with a wall-stud, use a screwdriver to engage a toggle and position the toggle tip against the wall at one of the insertion marks. Gently push the toggle into the wall as you rotate the toggle clockwise. Continue rotating until the large flange of the toggle is flush with the wall. Repeat this step with the other toggles and non-stud marks.

- 7) Hold the wall cleat against the wall so that the sharp edge is facing UP and AWAY FROM the wall, as shown in below. Use a screwdriver to secure a provided screw into each hole of the cleat and into either an awaiting installed toggle, or directly into the wall if the hole aligns with a wall stud. Rotate each screw clockwise until tight.



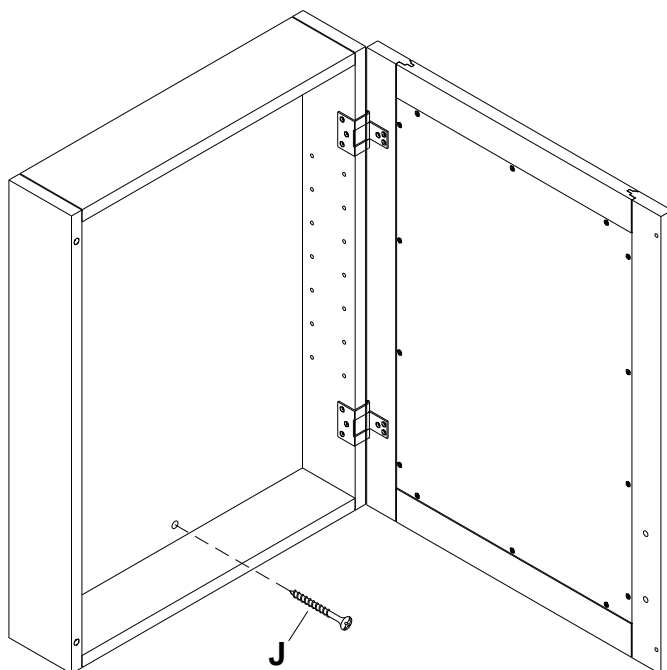
3. Mounting the Cabinet onto the Wall Cleat:

- 1) With the help of another person, lift the cabinet up against the wall to align the upper rear edge of the cabinet above the mounted wall cleat. Lower the cabinet to engage the two cleats so that the wall cleat fully supports the weight of the cabinet. While holding the cabinet, gently move it side to side to ensure that it is engaged with the wall cleat.



4. Securing the Tie-Down Fastener:

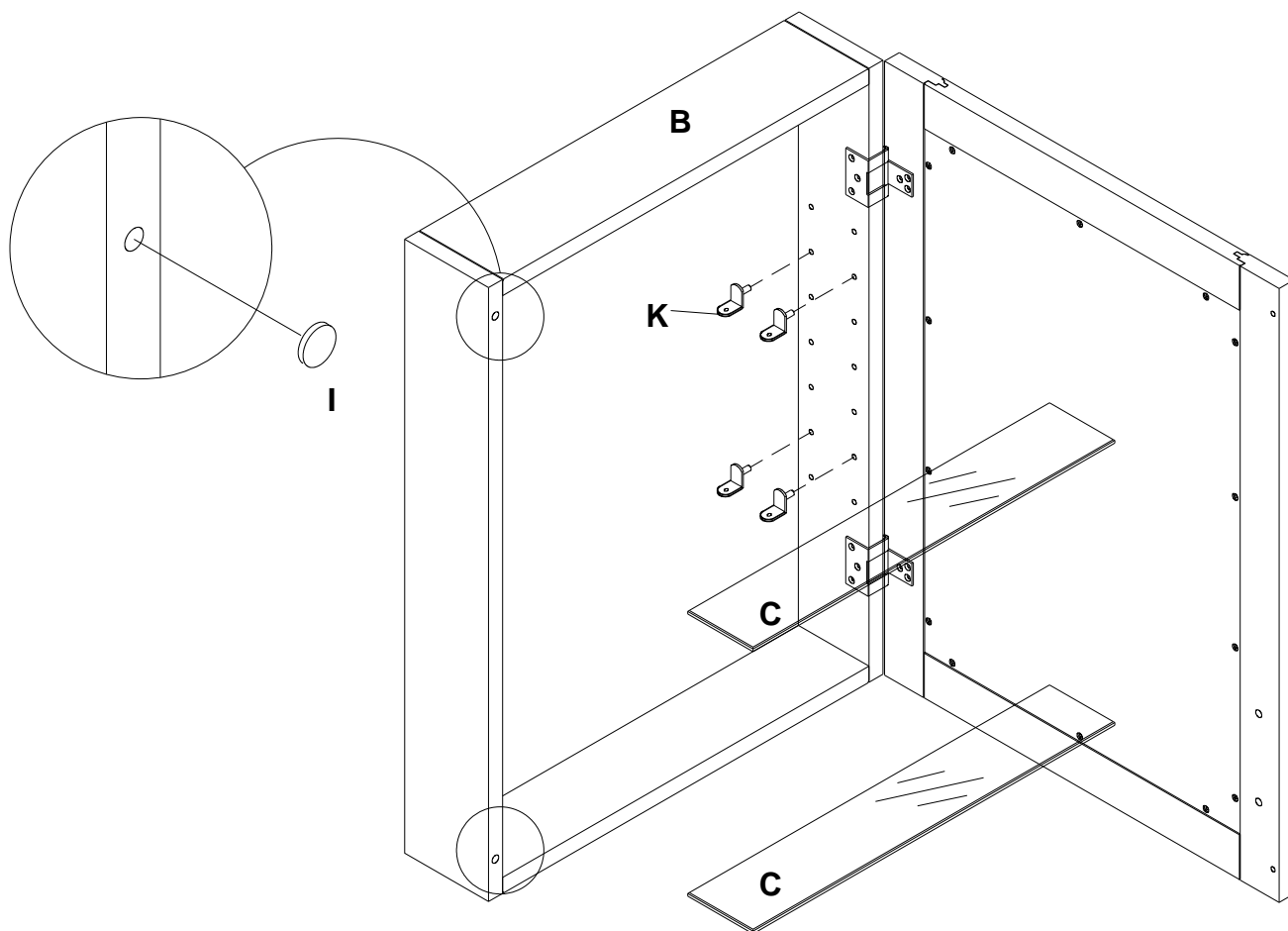
This item includes a tie-down fastener that prevents the cabinet from lifting off of the wall cleat. Although optional, we recommend that it be installed. To install this fastener, use a pencil or a long screw to mark the wall through the hole that is located inside the cabinet, just above the lowermost shelf surface. Once the mark is made, remove the cabinet from the wall and install a toggle at that mark (using step (1-6) above). Once the toggle is installed, return the cabinet to the wall so that the hole lines up with the toggle. Use a screwdriver to secure a screw through the hole of the cabinet and into the toggle.



5. Installing the Glass Shelves:

To install the shelf: Insert the shelf pin (K) into the pre-drilled holes on the interior side of the cabinet (B) at desired level. Gently place glass shelf (C) onto the shelf pin (K). Repeat this step for the other shelf.

Optional: Attach the rubber pad (I) into the magnet in the wooden cabinet (B).



Care Instructions:

- Dust often using a clean, soft, dry and lint-free cloth.
- Blot spills immediately and wipe with a clean, damp, cloth.
- We do not recommend the use of chemical cleansers, abrasives or furniture polish on our lacquered finish.
- Hardware may loosen over time. Periodically check to make sure all connections are tight. Re-tighten if necessary.

Thank you for your purchase
Stores | catalog