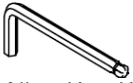


POTTERY BARN

Marble and Metal Floor Storage

- Please read all instructions carefully and completely before beginning assembly.
- Save all packing materials until assembly is complete to avoid accidentally discarding smaller parts or hardware.
- Use the parts and hardware lists to identify and separate each of the components included.
- For your safety and ease, assembly by two people is recommended.

Hardware Included:



A. 4mm Allen Key (1pc)

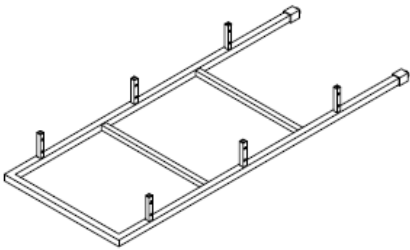


B. M5x10mm Bolt (24pcs)



C. Ø10mm Metal Washer (24pcs)

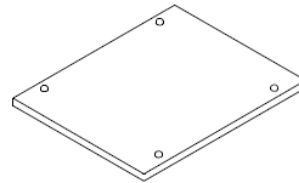
Parts Included:



D. Left & Right side frame (1pc each)



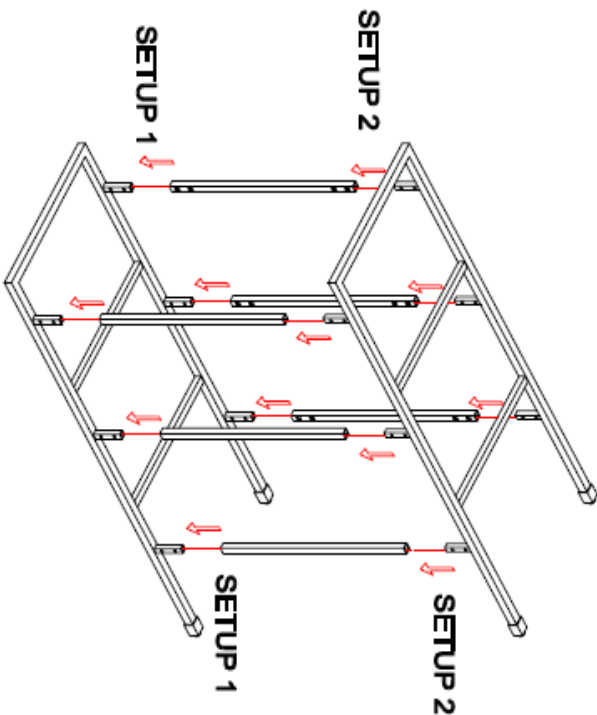
E. Center Rail (6pcs)



F. Marble Shelf with pre-attached metal pins (3pcs)

Assembly Instructions:

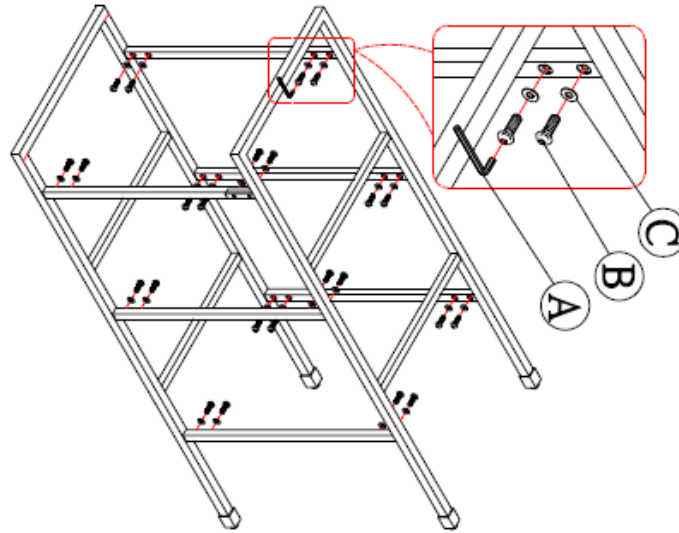
1. Carefully remove all parts and hardware from packaging and lay out on a clear work surface.
2. Connect both frames to the center rails by inserting the short steel tube which is pre-attached to the frame into the center rail.



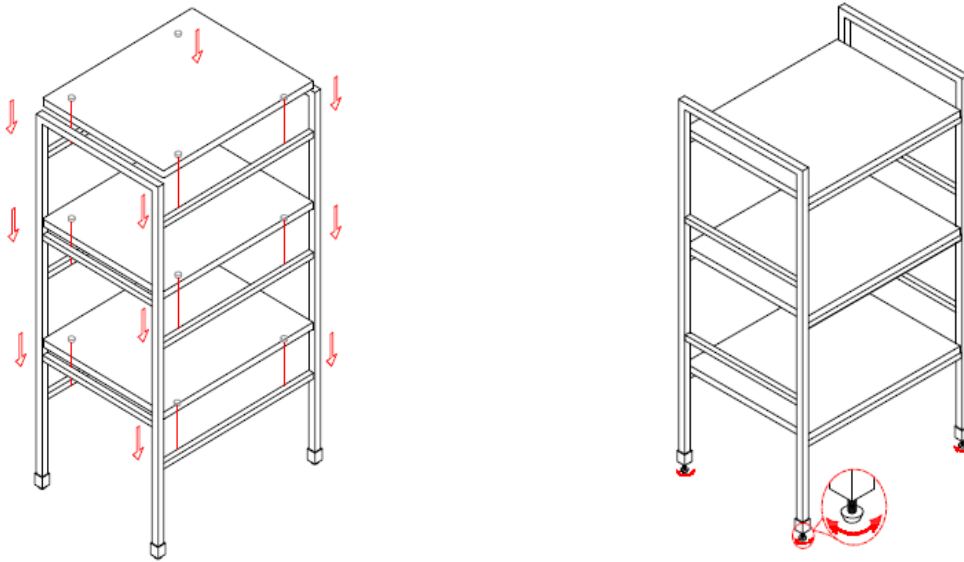
POTTERY BARN

Marble and Metal Floor Storage

- Secure the center rails to the frame using the bolts (B) and metal washers (C). Tighten with the enclosed Allen key (A).



- Place marble shelves (with metal pin side down) by holding at a slightly tilted angle and inserting onto frame.



- Levelers are pre-installed on the feet. Adjust as needed to make sure floor storage is level. Turn counter-clockwise to increase height, clockwise to decrease height. Assembly is complete.

Care instructions:

- Dust with a clean, soft damp cloth. Wipe dry immediately. Avoid the use of chemicals and harsh cleaning agents.

thank you for your purchase

stores/catalog/www.potterybarn.com