

# P O T T E R Y B A R N

## Kensington Fixed Mirror Mounting Instructions

**Hardware Included:** Two Anchors  
Two Screws

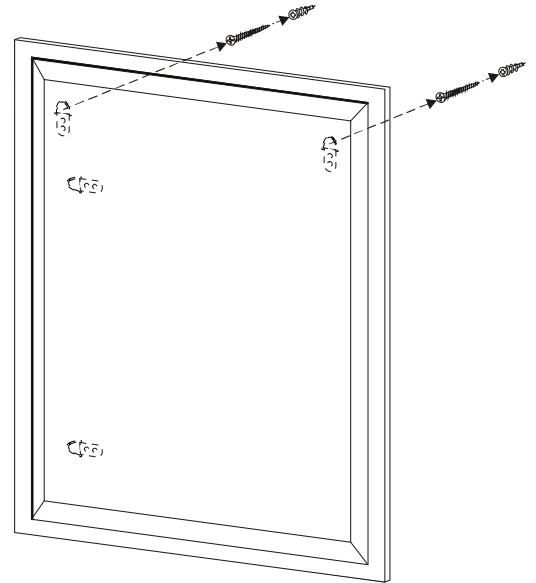
**Tools Required:** Phillips Screwdriver, Level  
Pencil, Stud Finder

The hardware included with this item is meant for dry wall mounting only. If walls are concrete, brick or plaster, please consult your local hardware store for assistance.

This item includes four D rings on the rear surface that are used to mount the mirror to a wall.

### Mounting Instructions:

- 1) Hold the mirror at a desired location on a wall and use a level to ensure that the mirror is level and then use a pencil to mark the wall at the D ring locations. Remove the mirror from the wall. The resulting marks on the wall are the insertion points for the mounting hardware.
- 2) The provided anchors cannot penetrate wood. Therefore we have to determine if the marks of Step (1) happen to align with a wall stud. If either does (use a stud finder to determine this), do not use an anchor at the mark. Instead, use a screwdriver to secure a provided screw directly into the wall at this mark. Rotate the screw clockwise until the screw head resides about 3/8" from the wall.
- 3) For marks that do not align with a stud, install a provided anchor into the drywall first and then the screw. To install the anchor, use the screwdriver to engage the anchor and then position the anchor tip against the wall at the mark. Firmly push the anchor into the wall as you rotate it clockwise. The anchor is designed to drive itself into the wall as it is rotated. Continue rotating the anchor until the wide end of the anchor becomes even with the surface of the wall.
- 4) Use the screwdriver to secure a screw into each installed anchor. Rotate the screw clockwise until the screw head is about 3/8" from the wall.
- 5) With the help of another person, lift the item against the wall and align and engage the D rings with the two protruding screws.



### CARE INSTRUCTIONS:

- Dust often with a soft, dry cloth
- To protect lacquered finish, do not apply polish or household cleaners

Thank you for your purchase.  
stores / catalog / [www.potterybarnkids.com](http://www.potterybarnkids.com)  
1.800.290.8181