

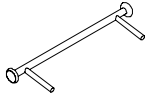
P O T T E R Y B A R N

Hotel Marble Top Floor Storage

- Please read all instructions before beginning assembly.
- Save all packing materials until mounting is complete to avoid accidentally discarding smaller parts or hardware.
- Keep all parts and plastic bags out of the reach of children.
- For your safety and ease, assembly by two people is recommended.

Hardware included:

1. Towel Bar (2pcs)



3. Spring Washer (4pcs)



2. Philip Head Bolt (4pcs)

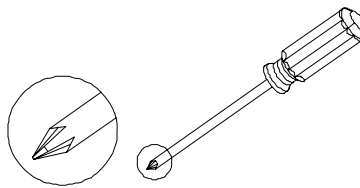


4. Span Washer (4pcs)



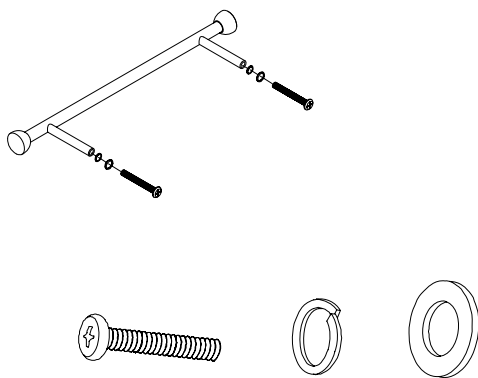
Tool Required (Not Included):

Phillips Head Screwdriver (1pc)

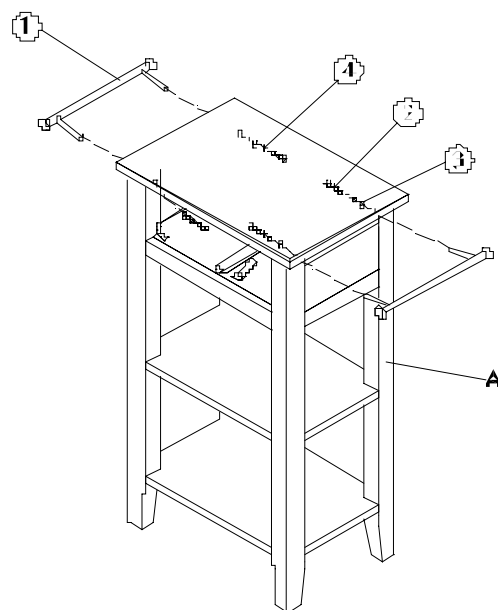


Assembly instructions:

- 1 Pull the drawer half way out of the frame while pressing down on white nylon drawer stopper under drawer box. Pull drawer completely out of frame. .
- 2 Use a philip head screwdriver to detach the pre-installed bolt (2) which has been inserted with spring washer (3) and span washer (4) into the towel bar. Picture 1.
- 3 Hold one towel bar against the side of the frame; making sure its holes are aligned with the predrilled holes in the frame. Thread the bolt (2) through the spring washer (3) and span washer (4). Fasten towel bar to frame by inserting hardware into towel bar from underside of frame. Picture 2.



Picture 1

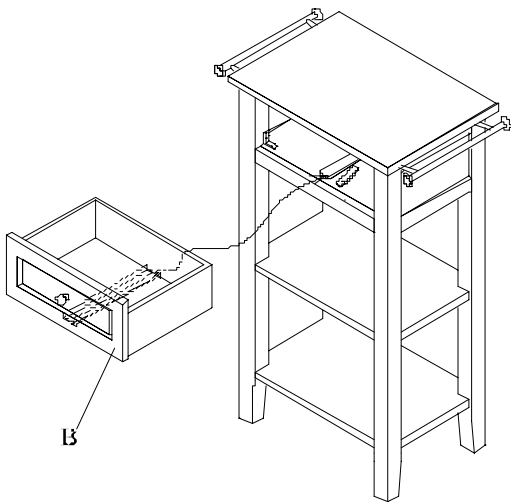


Picture 2

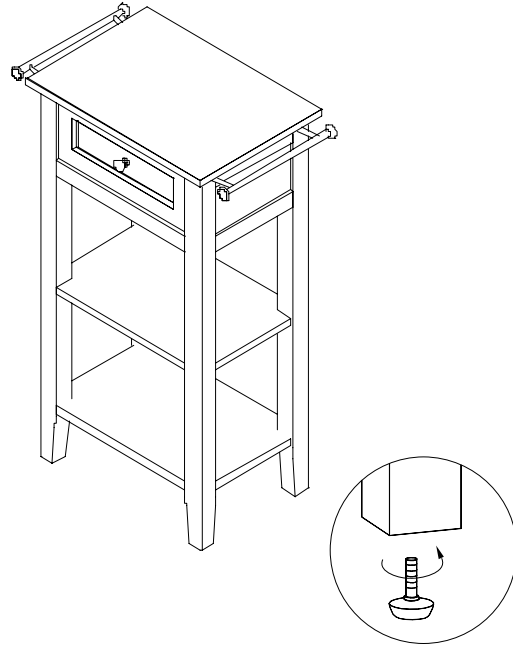
POTTERY BARN

Hotel Marble Top Floor Storage

4. Repeat step 3 to attach the second towel bar.
5. Slide the drawer box back into the frame. Picture 3



Picture 3



Picture 4

Levelers:

The levelers are pre-installed on the legs and adjust as needed to make sure the storage cabinet is level. Turn counter-clockwise to increase height, clockwise to decrease height. Picture 4.

Care Instructions:

Wipe cabinet and marble top with a soft, dry cloth. To protect the finish, avoid the use of all chemical and household cleaners and abrasives as they may damage finish.

thank you for your purchase

stores | catalog | www.potterybarn.com