

P O T T E R Y B A R N

Hudson Daybed and Hudson Daybed with Trundle

Pre-Assembly:

- ❖ Please read all instructions carefully before assembly.
- ❖ For your safety and ease, assembly by two people is recommended.
- ❖ Carefully lay out and identify all parts and hardware prior to assembly.
- ❖ Save all packing materials until assembly is complete to avoid accidentally discarding small parts or hardware.

Part Included:

BOX 1

- (1) Headboard (A)

BOX 2

- (1) Footboard (B)

BOX 3

- (2) Side rails (C1, C2)
- (1) Front Rail (C3 for daybed with trundle)
- (1) Slat Roll (D)

For Daybed with Trundle: Metal Trundle will be in separate box

Hardware Enclosed:

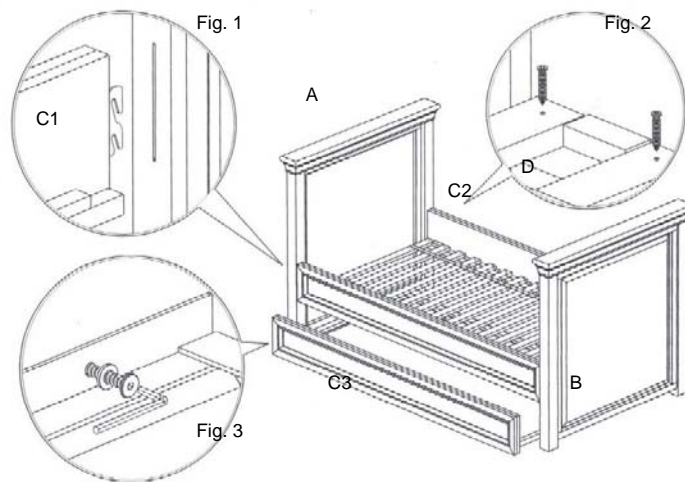
- (34) Wood screws $\frac{1}{4}$ x 1" (includes 2 additional screws)
- (4) Flat Head Screw M.6 x $\frac{7}{8}$ " (for daybed with trundle)
- (4) Flat Washer (for daybed with trundle)
- (1) Allen Wrench

Assembly instructions:

1. Attach side rails (C1, C2) to headboard (A) and footboard (B), placing hook into slot. Fig. 1)
2. Lay the slat roll (D) in place so the pre-drilled holes on the end of each slat lines up with the pre-drilled holes on the side rail lip.
3. Secure the slats by inserting the wood screws. Tighten screws with a Phillips screwdriver. (Fig. 2) Assembly is complete.

For Daybed with Trundle:

4. Install Metal Trundle on front rail (C3) using the flat head screws and flat washers. Tighten with Allen wrench. (Fig. 3)
5. Assembly is complete.



Care Instructions:

- For daily cleaning, dust with a dry, soft cloth. Avoid the use of chemical and abrasive cleaners. Wipe up spills immediately.

thank you for your purchase