

POTTERY BARN

SANTORINI MEDICINE CABINET RECESSED VERSION

Assembly Instructions

NOTE: PROFESSIONAL INSTALLATION REQUIRED

Important Safety Instructions:

- Please read all instructions carefully before assembling.
- For your safety, assembly by two people is recommended.
- The maximum individual shelf weight capacity is 20lbs. Do not exceed the load capacity to avoid damaging.

Parts Included:

- (3) Shelf (A)

Hardware:

- (6 X 2) Shelf peg (b)
- (4) Mounting screw (c)

Pre-Assembly:

1. Remove all parts from the box and lay out on a clear carpeted or scratch-free work surface. (The shipping box provides an ideal work surface) This will avoid damaging any parts during assembly. Do not dispose of any contents until assembly is complete to avoid accidentally discarding small parts.
2. Use the parts lists above to identify and separate each of the pieces included.
3. The illustrations provided allow for easier assembly when used in conjunction with the assembly instructions.
4. Contact your local hardware store to determine the mounting hardware needed.

Assembly Instructions:

1. Determine the desired level for the shelf. Place the shelf pegs (b) into the pre-drilled holes.
2. Carefully insert the shelf (A) into the cabinet and gently rest the shelf onto the shelf pegs. Repeat for both shelves.

Figure 1

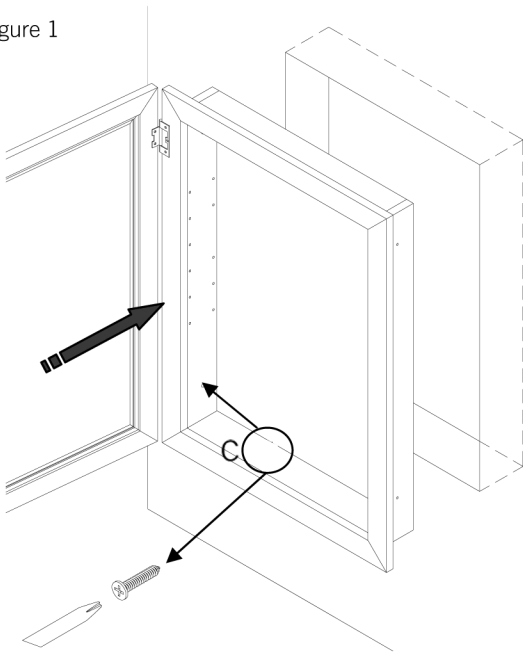
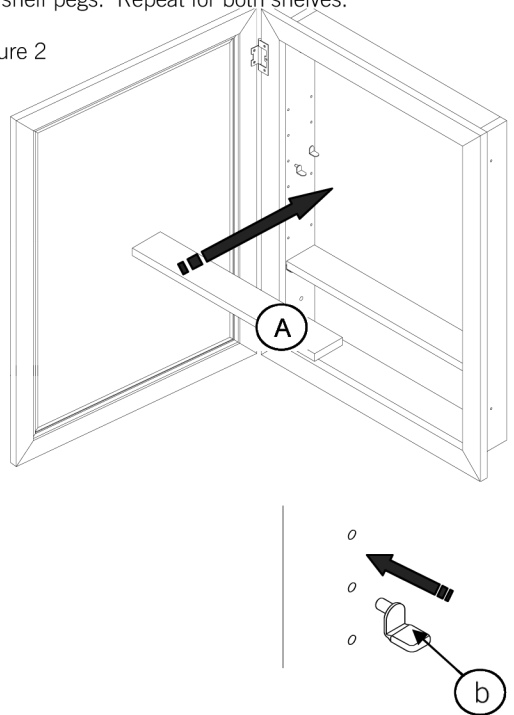


Figure 2



Professional Mounting Instructions:

1. After measuring the recessed portion of cabinet, make a cut out in the wall measuring **500mm W x 69mm D x 763mm H** (approximately **19 3/4" x 2 3/4" x 30"**).
2. Place the cabinet into the wall. With a pencil, mark the location of the 4 screw holes. Use a carpenter's level to ensure that the cabinet will be level.
3. Mount the cabinet to the wall with the proper hardware (c)

Due to uneven wall the cabinet may not sit level causing the door to misalign. If this occurs, determine which corner is not level and follow these steps:-

1. Carefully elevate the cabinet slightly and put a shim (not provided) to fill the gap.
2. Check door alignment and adjust until the cabinet sits firmly against the wall.

Care Instructions:

- Dust with a clean, soft cloth
- Avoid the use of chemicals and harsh cleaning agents