

# P O T T E R Y B A R N

## Jenner Wall Shelf

### Parts Included:

- A) TWO Side Brackets
- B) ONE Crossbar (with Hooks)
- C) TWO Screws (Short)
- D) THREE Screws (Long)
- E) THREE Drywall Anchors
- F) ONE Tempered glass (Large)
- G) ONE Tempered glass (Small)

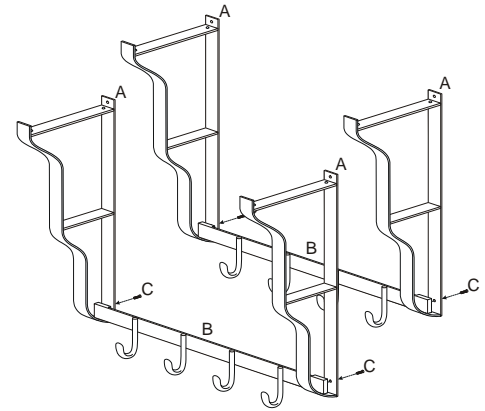
### Tools Needed:

- Screwdriver
- Pencil
- Level
- Stud-Finder

The hardware included with this item is meant for Drywall and stud mount only. If your wall is made from another material such as concrete or plaster, please consult your local hardware store for assistance in selecting the correct hardware.

**Maximum total weight capacity for this product is 80 pounds (36.3 Kg), 20 pounds (9.1 KG) per individual shelf & a maximum of 10 pounds (4.5 Kg) per hook.**

This item is shipped unassembled and must be assembled before installation. The item includes a frame and two glass shelves. The frame is made up of two side brackets which eventually support the shelves and a crossbar that includes pre-attached hooks and a centrally-located wall-side keyhole bracket. The crossbar is connected to the side brackets using screws as described below:

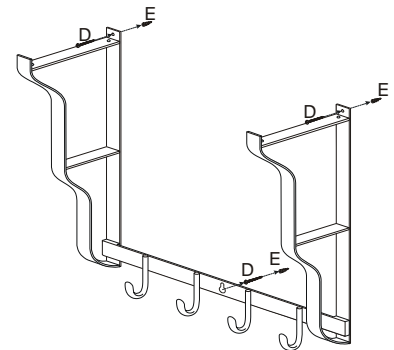


### Assembly:

- A) Use the short screws (C) and a screwdriver to secure the lower end of a side bracket to each end of the crossbar. Make sure that the hooks are facing down, as shown. Try to keep the side brackets even and parallel to each other and then tighten the short screws.

### Mounting Instructions:

1. Hold the provided paper template at a desired location on wall and use a level to ensure that the template is level and then mark the wall through the template at the three small black dots (two through holes and one keyhole location). Remove the template from the wall. The resulting marks on the wall are the insertion points for the hardware.
2. The anchors we include with this item work well with dry wall (or sheetrock), but cannot penetrate wood. Therefore we have to use a stud-finder to determine if any of the three marks of Step (1) happen to align with a wall stud. If either of the upper marks align with a stud, follow the below steps. If the lower central mark aligns with a stud, use a screwdriver to secure only a screw (not an anchor) at this lower mark. Rotate the screw clockwise until the head is about 3/8 from the wall.
3. For each mark that does not align with a stud, install an anchor by positioning the anchor tip at the mark. Use a screwdriver to rotate the anchor clockwise while you push it into the wall. The anchor will drive itself into the wall as it is rotated. Continue to rotate the anchor until the wide end is even with the wall surface.
4. If you installed an anchor at the lower mark, use the screwdriver to secure a screw therein. Rotate the screw clockwise is about 3/8" from the wall.
5. Preferably with the help of two patient people, lift the frame assembly against the wall so that the keyhole bracket of the crossbar receives the lower installed screw. Once fully engaged, level the frame assembly using a bubble level so that the holes located at the top of each side bracket align with each installed anchor (or aligned stud). Use the provided screws to secure the side brackets to the wall by passing each screw through the hole of the bracket and into the aligned anchor. Use the screwdriver to rotate each screw clockwise until tight.
6. Carefully position the large glass shelf on the upper supports of the frame assembly and the smaller glass shelf on the lower supports.



### Care Instructions:

Wipe with a soft, dry cloth. Do not use strong chemical or abrasive cleaners.

*thank you for your purchase*  
stores | catalog | [www.potterybarn.com](http://www.potterybarn.com)