

P O T T E R Y B A R N

HAMPTON WALL SHELF Mounting Instructions

Note:

For safe mounting, it is essential to use the proper hardware for your wall type. Contact your local hardware store for assistance if necessary. For your safety and ease, installation by two people is strongly recommended.

Mount to wood studs whenever possible. Use a stud finder to locate stud in mounting positions. If mounting locations align with stud, use stud mounting screws. If there is no stud, toggle anchors and toggle screws should be used.

Mounting Instructions: (Illustration 1)

1. Hold cabinet at desired location. With a pencil, mark on the wall the top outside corners. These marks will be used to determine the location of the mounting hardware.
2. Measure down from the top of the cabinet to the top of both keyhole notches. Record these measurements on the wall, using the marks in step one as guide.
3. Measure in from the side of the cabinet to the top of both keyhole notches. Again, record these measurements on the wall. Align the two measurements until they intersect. This is the insertion point of your mounting hardware. Use a carpenter's level to ensure the cabinet will be level.

Dry Wall Mounting

4. Place a #2 Phillips screwdriver into recess of the toggle anchor. Do not "push" the anchor. It is designed to bore into the wall like a drill bit. Slowly turn the anchor clockwise while applying pressure until the flange just touches the wall. Keep turning clockwise until one arrow on head is pointing to the 12 o'clock position. Insert toggle screw into toggle anchor turning clockwise. You will feel a slight resistance. Continue turning screw until the screw head touches the anchors flange. Tighten screw until it becomes difficult to turn. At this point the internal pivot will have engaged the backside of the dry wall. Leave approximately $\frac{1}{2}$ " between the back of the screw head and the wall.
5. Mount cabinet by fitting the lower hole of keyhole slots over screw heads and down until the top of the keyhole slots rest on the screws. You may need to tighten or loosen screws slightly to allow cabinet to fit snugly against wall.

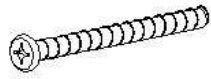
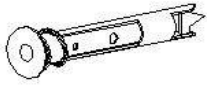
Stud Mounting

6. Insert stud mounting screws into wall using Phillips screwdriver or drill. Leave approximately $\frac{1}{2}$ " between the back of the screw head and the wall. Mount cabinet as in step 5 above.

Plastic Plugs Installation: (Illustration 2)

7. Insert plastic plugs (D) into screw holes on the cabinet. Push in with index finger.

Hardware Included:

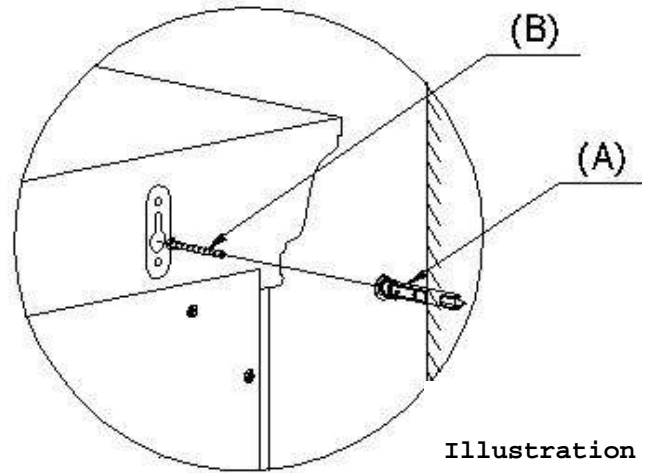


(2) Toggle Anchor (A)
(B)

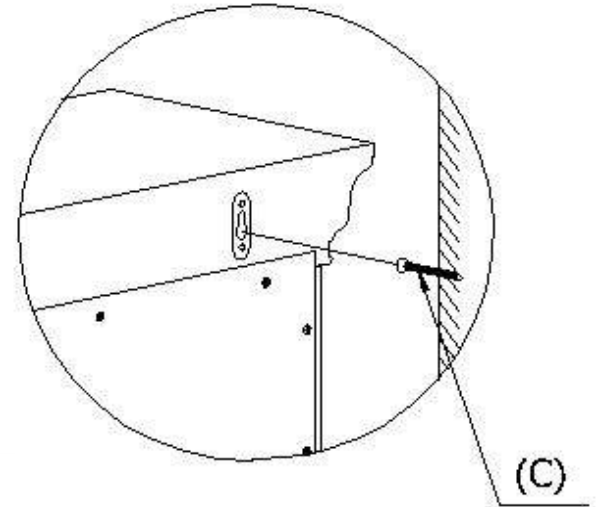
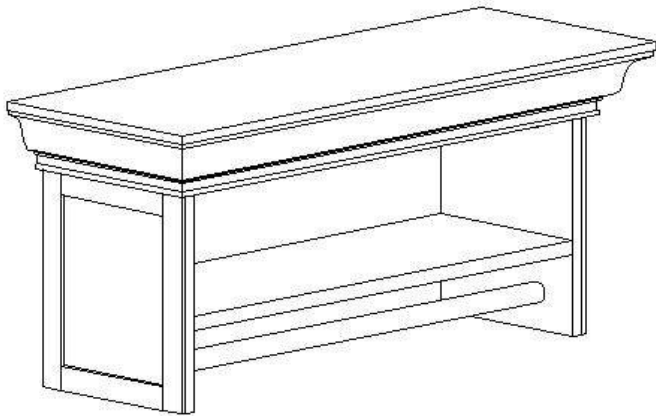
(2) Toggle Screw



(2) Stud Mounting Screw (C) (2) Plastic P
(D)

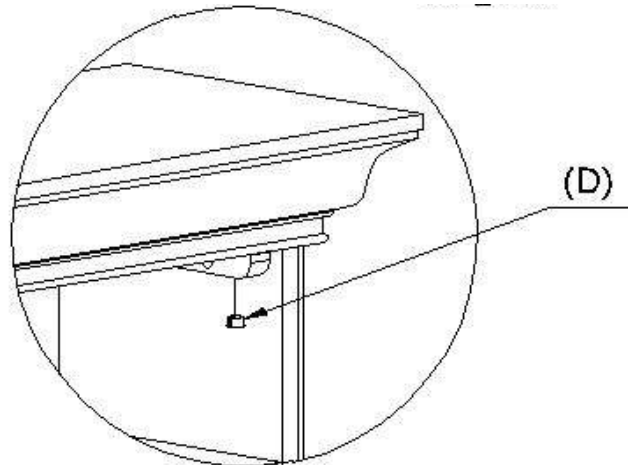


Illustration



Care Instructions:

Wipe with a soft, dry cloth. To protect the finish, do not apply household cleaners or abrasives.



Illustration