

P O T T E R Y B A R N

HUDSON BED Queen / King / Cal King

Pre-Assembly:

- ❖ Please read all instructions carefully before assembly.
- ❖ For your safety and ease, assembly by two people is recommended.
- ❖ Carefully lay out and identify all parts and hardware prior to assembly.
- ❖ Save all packing materials until assembly is complete to avoid accidentally discarding small parts or hardware.

Part Included:

BOX 1

- (1) Headboard (A)

BOX 2

- (1) Footboard (B)

BOX 3

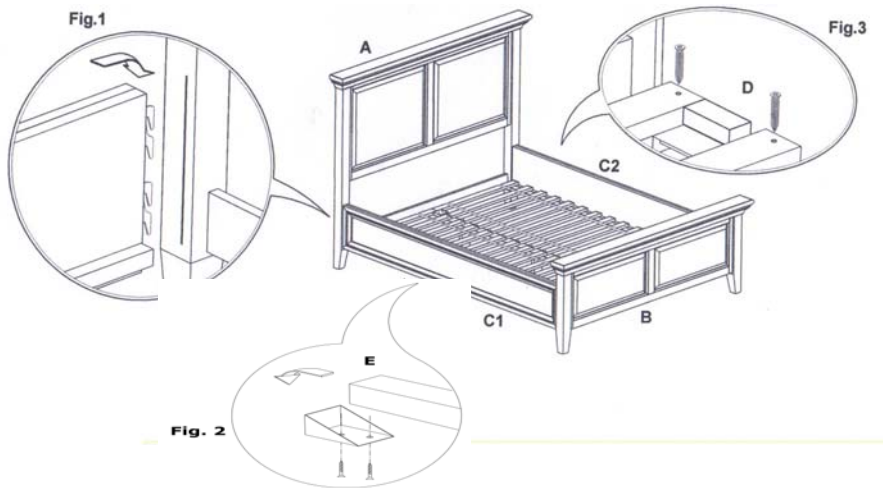
- (2) Side rails (C1, C2)
- (1) Slat Roll (D)
- (1) Center Support Rail & Legs (E)

Hardware Enclosed:

- (38) Wood screws $\frac{1}{4}$ x 1" (includes 2 additional screws)

Assembly instructions:

1. Attach side rails (C1, C2) to headboard (A) and footboard (B), placing hook into slot. (Fig. 1)
2. Place center support rail & legs (E) into the brackets found at the center of headboard and footboard. (Fig. 2)
3. Lay the slat roll (D) in place so the pre-drilled holes on the end of each slat line up with the pre-drilled holes on the side rail lip. (Fig.3)
4. Secure the slats by inserting the wood screws. Tighten screws with a Phillips screwdriver. (Fig.3)
5. Assembly is complete.



Care Instructions:

- For daily cleaning, dust with a dry, soft cloth.
- Avoid the use of chemical and abrasive cleaners.
- Wipe up spills immediately.

thank you for your purchase