

# P O T T E R Y B A R N

## PIEDMONT MAGAZINE RACK

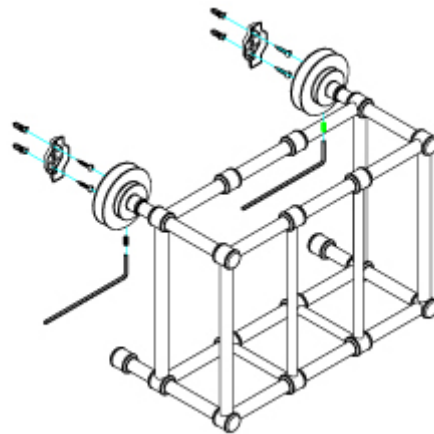
Note: For safe mounting, it is essential to use the proper hardware for your wall type. Be sure to consult your local hardware store to determine the hardware needed for your wall type (plaster, drywall, concrete, etc.). Mount to wood studs whenever possible.

### Parts Included:

- 4 8mm x 40mm Screws
- 4 Zinc anchors
- 2 Mounting plates
- 2 Mounting brackets
- 2 Hex screws
- 1 Allen wrench
- 1 Paper Template
- 1 Magazine Rack

### Mounting Instructions:

1. Pre-assemble magazine rack within the mounting brackets and plates to determine desired location on wall. With a pencil, mark the location of the screw holes. (These marks will be used to determine the location of your mounting hardware.) Remove from wall. Use a carpenter's level or measure up from the floor at each mark to ensure the brackets will be level.
2. Attach mounting plate onto wall using screws and wall anchors provided or the proper hardware for your wall type.
3. Slide mounting brackets onto mounting plates. Secure to plates by tightening Hex screw with Allen wrench.



### Care Instructions:

- Wipe with a soft, dry cloth.
- To protect the finish, do not use household cleaners or abrasives.

Thank you for your purchase  
stores | catalog | [www.potterybarn.com](http://www.potterybarn.com)