

P O T T E R Y B A R N

Sussex Single Globe Sconce Assembly Instructions

Important Safety Instructions:

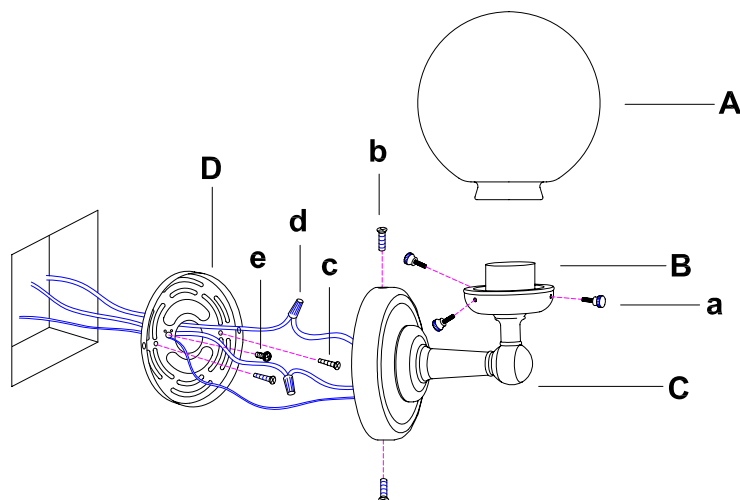
- These instructions are provided for your safety. It is important that they are read carefully and completely before assembling fixture.
- This fixture has been rated for up to (1) 60-watt maximum TYPE B standard bulb (not included). To avoid the risk of fire, do not exceed the recommended wattage.

Parts Enclosed:

- (1) Glass shade (A)
- (1) Socket (B)
- (1) Sconce base (C)
- (1) Mounting plate (D)

Hardware included:

- (3) Socket screws (a)
- (2) Plate screws (b)
- (3) Mounting screws (c)
- (3) Plastic wire connectors (d)
- (1) Green ground screw (e)



To install you will need:

- Screwdriver
- Electrical tape

To Assemble:

1. SHUT OFF THE MAIN ELECTRICAL SUPPLY FROM THE MAIN FUSE BOX/CIRCUIT BREAKER.
2. Gently pull the wiring from the outlet box and allow wires to hang. Thread the wires through the center hole on the mounting plate (D).
3. Attach the mounting plate (D) to the outlet box using the two mounting screws (c). Carefully inspect the sconce's fixture wires. The NEUTRAL FIXTURE WIRE is white. The HOT FIXTURE WIRE is black. The bare copper wire is the GROUND WIRE.
4. Attach the GROUND WIRE from the fixture to the GROUND JUNCTION BOX WIRE from the outlet box (usually green or bare wire). Fasten each together with a plastic wire connector (d) and wrap the connection with electrical tape. Be sure that no wire strands are exposed. If your outlet box DOES NOT have a GROUND WIRE, be sure to insert the green ground screw (e) into the mounting plate (D), and wrap the fixture's bare ground wire around the ground screw. IT IS IMPERATIVE THAT THE OUTLET BOX IN YOUR HOME BE PROPERLY GROUNDED!
5. Connect the NEUTRAL FIXTURE WIRE to the NETURAL JUNCTION BOX WIRE (usually white). Fasten each together with a plastic wire connector (d) and wrap the connection with electrical tape. Be sure that no wire strands are exposed.
6. Connect the HOT WIRE to the HOT JUNCTION BOX WIRE (usually black). Fasten each together with a plastic wire connector (d) and wrap the connection with electrical tape. Be sure that no wire strands are exposed. DO NOT REVERSE THE HOT AND NEUTRAL CONNECTIONS OR SAFETY WILL BE COMPROMISED.
7. Attach the sconce base (C) to the affixed mounting plate by first aligning the pre-drilled holes of mounting plate (D) with the pre-drilled holes of the sconce's back plate. Insert the plate screws (b) provided and tighten with a screwdriver.
8. Insert (1) 60-watt Type B bulb (not included) into the socket (B). DO NOT EXCEED SPECIFIED WATTAGE.
9. Unscrew the socket screws (a) and place the shade (A) onto the socket cup. Attach carefully to avoid breaking the glass shade (A). Turn the socket screws (a) clockwise until tight.
10. Restore power to junction box and test fixture.
11. Assembly is complete.

Care Instructions:

- Wipe with a soft, dry cloth only
- Avoid the use of harsh chemicals or abrasives