

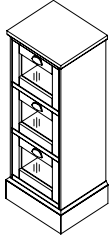
POTTERY BARN

Petaluma Floor Storage

Important Note: Please read all instructions carefully and completely before beginning assembly.

Pre-installation: Remove all parts and hardware from boxes along with any protective packaging. Identify each part and each piece of hardware included. Do not discard any contents until after installation is complete to avoid accidentally discarding small parts or hardware. Keep all parts out of the reach of children.

Parts Included:



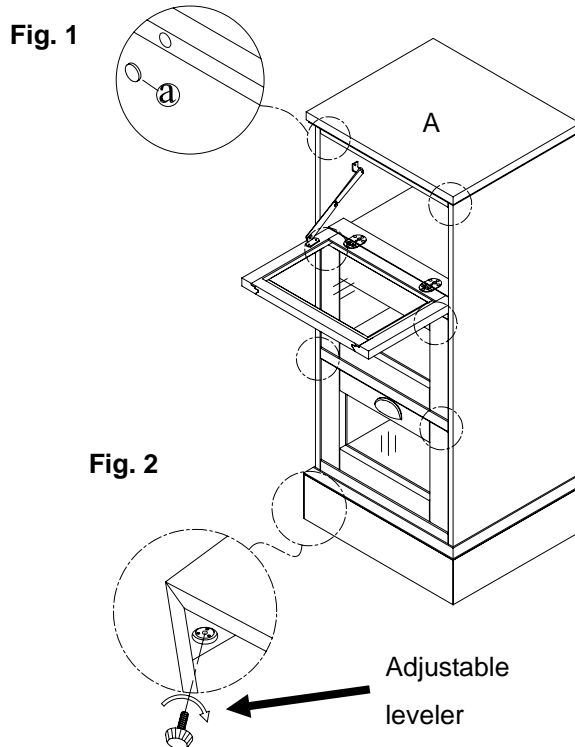
A. Wooden Cabinet (1pc)

Hardware Included:



a - Rubber Pad (6pcs)

1. Attach the adhesive rubber disc (a) over the magnet in the wooden cabinet (A) (Optional). See **Fig. 1**.



2. Adjusting Levelers:

Due to an uneven floor the furniture may not sit level due causing it to wobbles. If the piece wobbles, determine which corner does not touch the ground correctly. With two people follow these steps:

- (1) Carefully lift the item slightly to provide access to the levelers attached to the bottom. (**Fig. 2**).
- (2) Turn the levelers until adequate contact will be made with the floor. Gently set down the piece and check stability.
- (3) Repeat steps until furniture sits firmly on the ground.

Care Instructions:

Wipe cabinet with a soft, dry cloth.

To protect the finish, avoid the use of all chemical and household cleaners and abrasives as they may damage finish.