

POTTERY BARN

Hotel Medicine Cabinet Recessed - Regular Assembly Instructions

Note: Professional installation required

Important safety instructions:

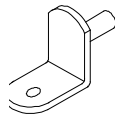
- Please read all instructions carefully before assembling. For your safety, assembly by two people is recommended.
- The maximum individual shelf weight capacity is 20lbs. Do not exceed the load capacity.

Parts included:	Tools required (not included):
(A) Cabinet (1pc) (B) Glass Shelf (3 pcs)	Phillips head screwdriver Carpenter's level Pencil

Hardware Included:



(C) Door Knob (2pcs)
Rubber Sheet (1 pc)



(D) L-Shape Peg (12 pcs)



(E) Mounting Screw (4 pcs)



(F)

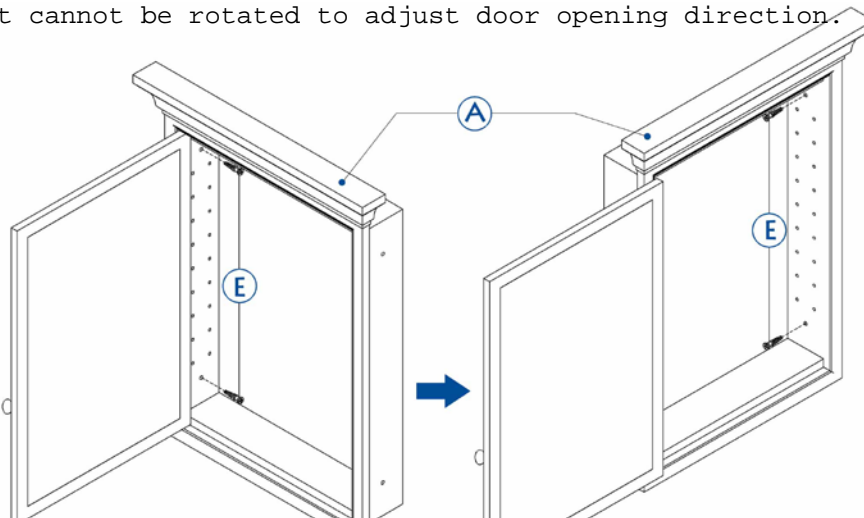
Pre-Assembly:

- Remove all parts from the box and lay out on a clear carpeted or scratch-free work surface. (The shipping box provides an ideal work surface). This will avoid damaging any parts during assembly. Do not dispose of any contents until assembly is complete to avoid accidentally discarding small parts. Use the parts lists above to identify and separate each of the pieces included.
- Contact your local hardware store to determine the proper mounting hardware needed for your wall type.
- Keep all parts and plastic bags out of the reach of children.

Professional Mounting Instructions:

1. After measuring the recessed portion of cabinet, make a cut out in the wall measuring approximately 19"W x 3.6"D x 26.5"H.
2. Place the cabinet (A) into the wall. With a pencil, mark the location of the 4 mounting screw (E) holes. Use a carpenter's level (not included) to ensure that the cabinet will be level.
3. Insert mounting screws (E) through the holes on the side panels of the cabinet (A). Using a Phillips head screwdriver, screw the mounting screws into the wall stud or wood support structure.

Note: Cabinet cannot be rotated to adjust door opening direction.

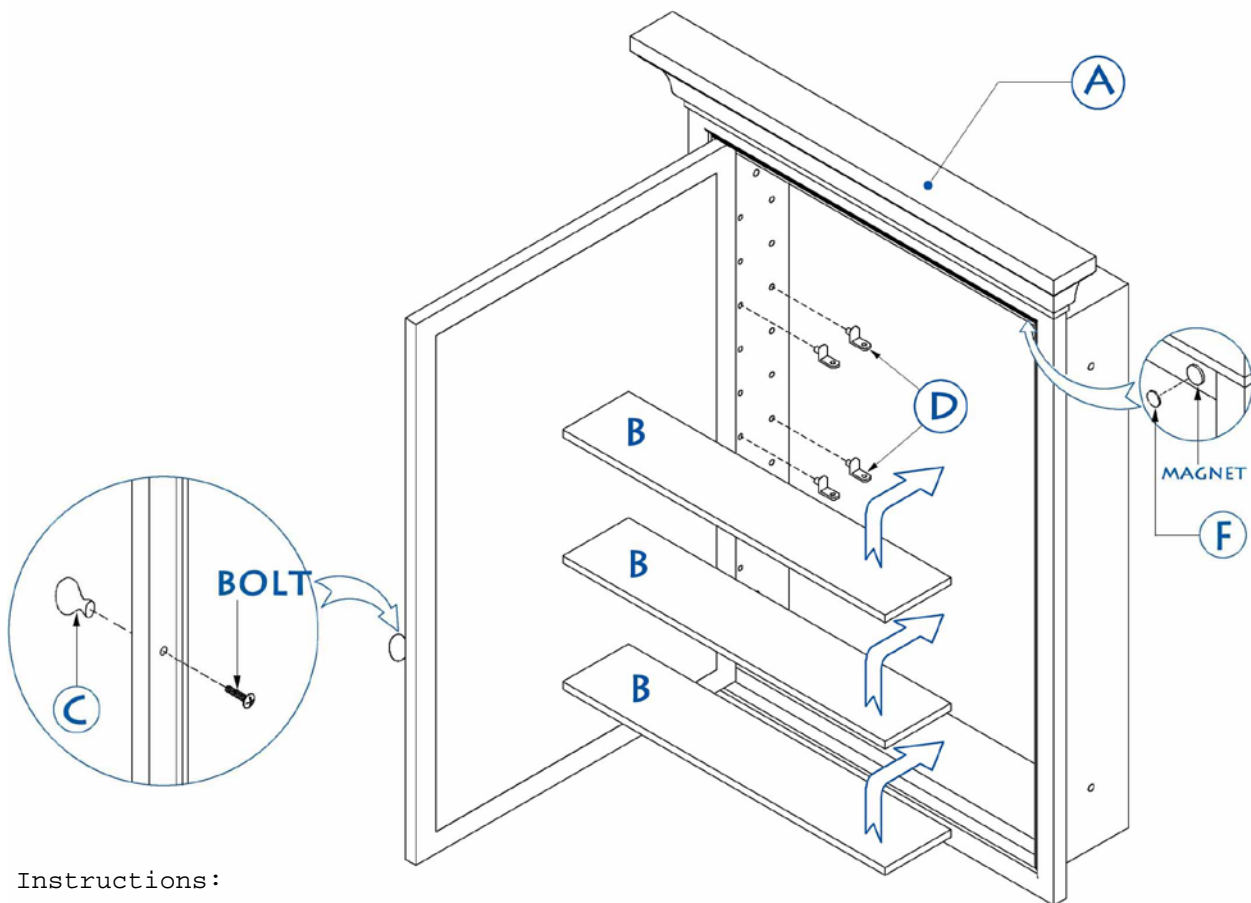


LEFT SIDE RECESSED PORTION
PORTION

RIGHT SIDE RECESSED

Instructions:

1. With a Phillips head screwdriver, release the Knob bolt (attached) on the inside of the door by turning counterclockwise. This detaches the pre-attached knobs. To attach Door Knobs (C) use a Phillips head screwdriver (turning clockwise) to screw the knob bolt on the inside of door.
2. Insert the L-shape peg (D) into the pre-drilled holes on the interior side of the wooden cabinet (A) at desired level. Gently place glass shelf (B) onto L-shape peg (D).
3. Attach the rubber sheet (F) into the magnet in the wooden cabinet (A) (Optional).



Care Instructions:

- Wipe cabinet with a soft, dry cloth.
- To protect the finish, avoid the use of all chemical and household cleaners and abrasives as they may damage finish.

