

POTTERY BARN

Ashland Towel bar 18"and 24" Assembly Instructions

Note: For safe mounting, it is essential to use the proper hardware for your wall type. Be sure to consult your local hardware store to determine the hardware needed for your wall type (plaster, drywall, concrete, etc.). Mount to wood studs whenever possible. Use a stud finder to locate stud in desired shelf location. If the mounting plate locations align with stud, use provided stud mounting screws. If there is no stud, the toggle anchors/toggle screws are required.

Parts and Hardware Included:

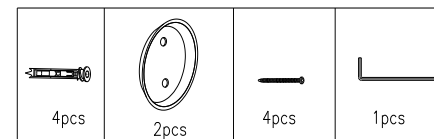
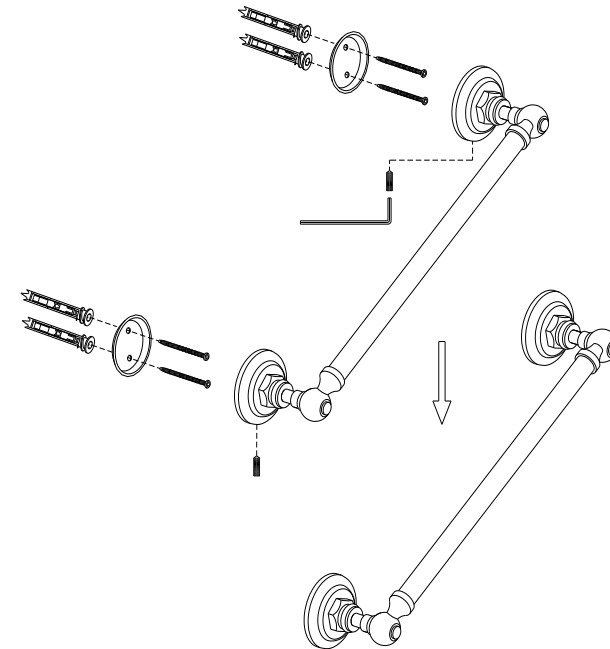
1pc	Mounting template	2pcs	Mounting plates
4			Toggle screws (for dry wall only)
4 pcs	Toggle anchors	4pcs	Wall mounting brackets
1 pc	Towel bar	2pcs	Stud mounting screws
1 pc	Allen wrench	4pcs	

Mounting Instructions:

1. Hold mounting template at desired location. With a pencil, mark on the wall the screw holes location. These marks will be used to determine the location of your mounting hardware.
2. Remove mounting template. Use a carpenter's level or measure up from the floor at each mark to be sure the brackets will be level.
3. Use a Phillips screwdriver to insert the toggle anchors. Do not "push" or drive the anchor into the wall, it is designed to bore into the wall like a drill bit. Slowly turn the anchor clockwise while applying pressure until the flange just touches the wall. Keep turning clockwise until one of the arrows on the flange is pointing to the 12 o'clock position.
4. Insert the toggle screw into the toggle anchor turning clockwise. At this point, you will feel a slight resistance. This is the point where the toggle screw is engaging the pivoting portion of the anchor. Keep turning screw clockwise until the screw head touches the flange. Tighten the screw until it becomes difficult to turn. At this point the internal pivot will have engaged the backside of the dry wall. Remove the anchor screw

turning counter-clockwise.

5. Align the mounting plates over the anchors, and re-insert toggle screws with Phillips screwdriver until tight.
6. Place towel bar into mounting brackets and onto mounting plates. Tighten pre-assemble hex screw with Allen wrench.



Note: Do not load more than 10lbs on towel bar.

Care Instructions:

Wipe with a soft, dry cloth. To protect the finish, do not use household cleaners or abrasives.

thank you for your purchase
stores | catalog | www.potterybarn.com