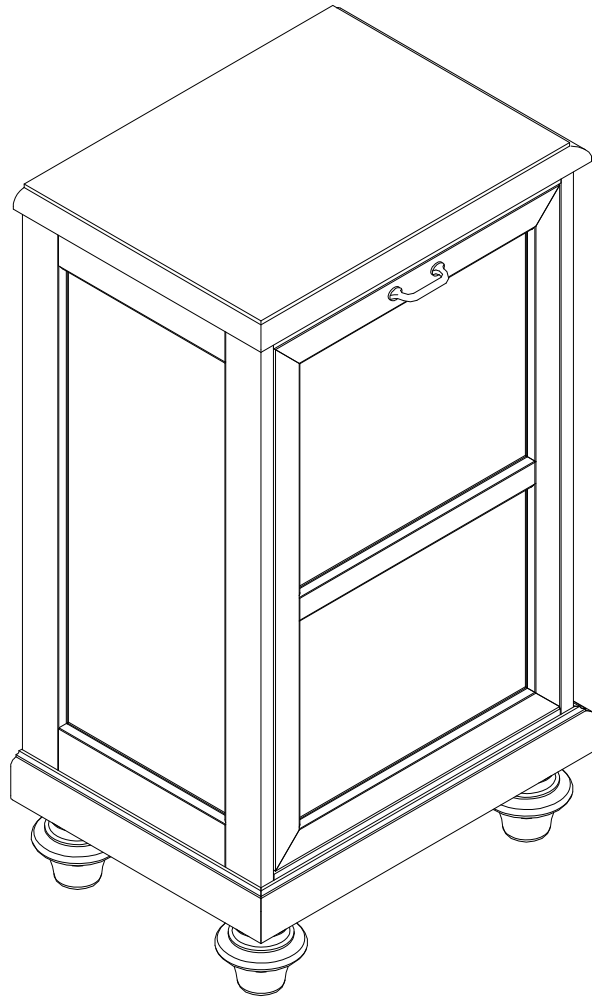


# POTTERY BARN



## MAXWELL LAUNDRY HAMPER

**Important Safety Instructions:**

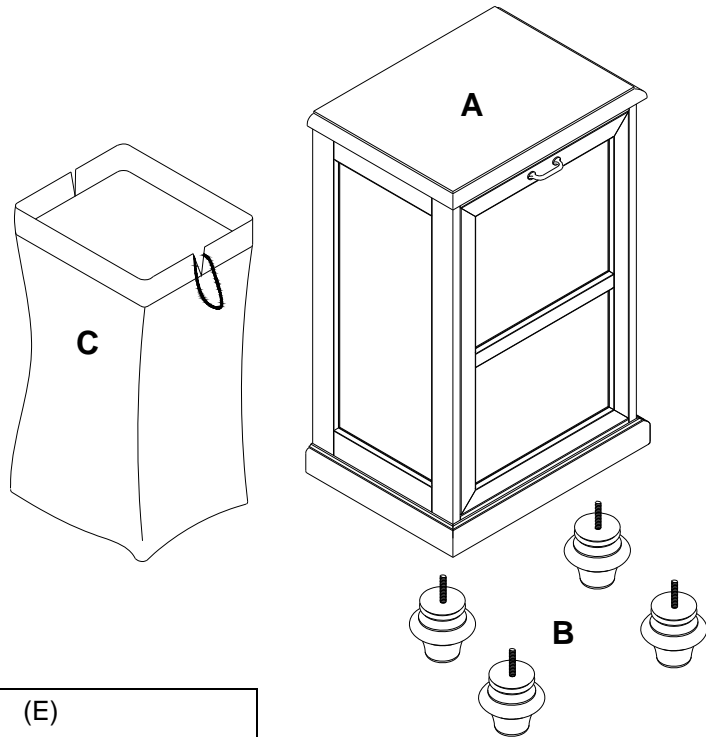
- Please read all instructions carefully before assembling.
- For your safety, assembly by two or more adults is strongly recommended.
- Keep instructions for future use.
- Use only vendor supplied hardware to assemble. Using unauthorized hardware could jeopardize the structural integrity of the item.
- The mounting hardware included with this item is meant for dry wall/stud mounting only. If your walls are made from something other than drywall or wood such as concrete, brick or plaster, please consult your local hardware store for assistance in selecting the appropriate hardware.
- This item is secured to the wall using either expanding toggles and screws for drywall or just the screws if a mounting hole happens to align with a wall stud.

**Pre-assembly:**

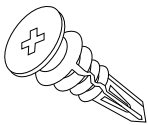
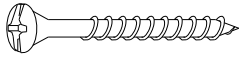
- Remove all parts and hardware from the box and lay out on a clear carpeted or scratch-free work surface, as this will avoid damaging parts during assembly. The shipping box provides an ideal work surface.
- Do not dispose of any packaging or contents of the shipping carton until assembly is completed to avoid accidentally discarding small parts or hardware.
- Use the parts and hardware lists below to identify and separate each of the pieces included.
- The illustrations provided allow for easier assembly when used in conjunction with the assembly instructions.
- The use of power tools to aid in assembly is not recommended. Power tools can damage hardware and split wood.

**Parts Included:**

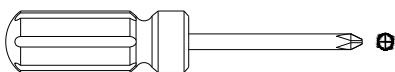
- (A) Hamper Cabinet 1 x
- (B) Leg 4 x
- (C) Removable Bag 1x



**Hardware Included:**

<p>(D) Toggle</p>  <p>1x</p>	<p>(E) Toggle Screw</p>  <p>Dia. 4*38mm</p> <p>1x</p>
---	--

**Tools Required (not included):**

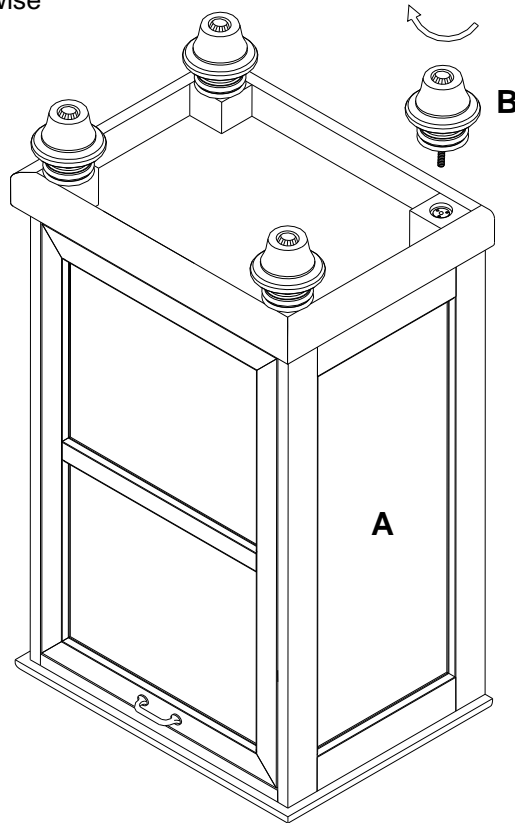


Phillips Screwdriver

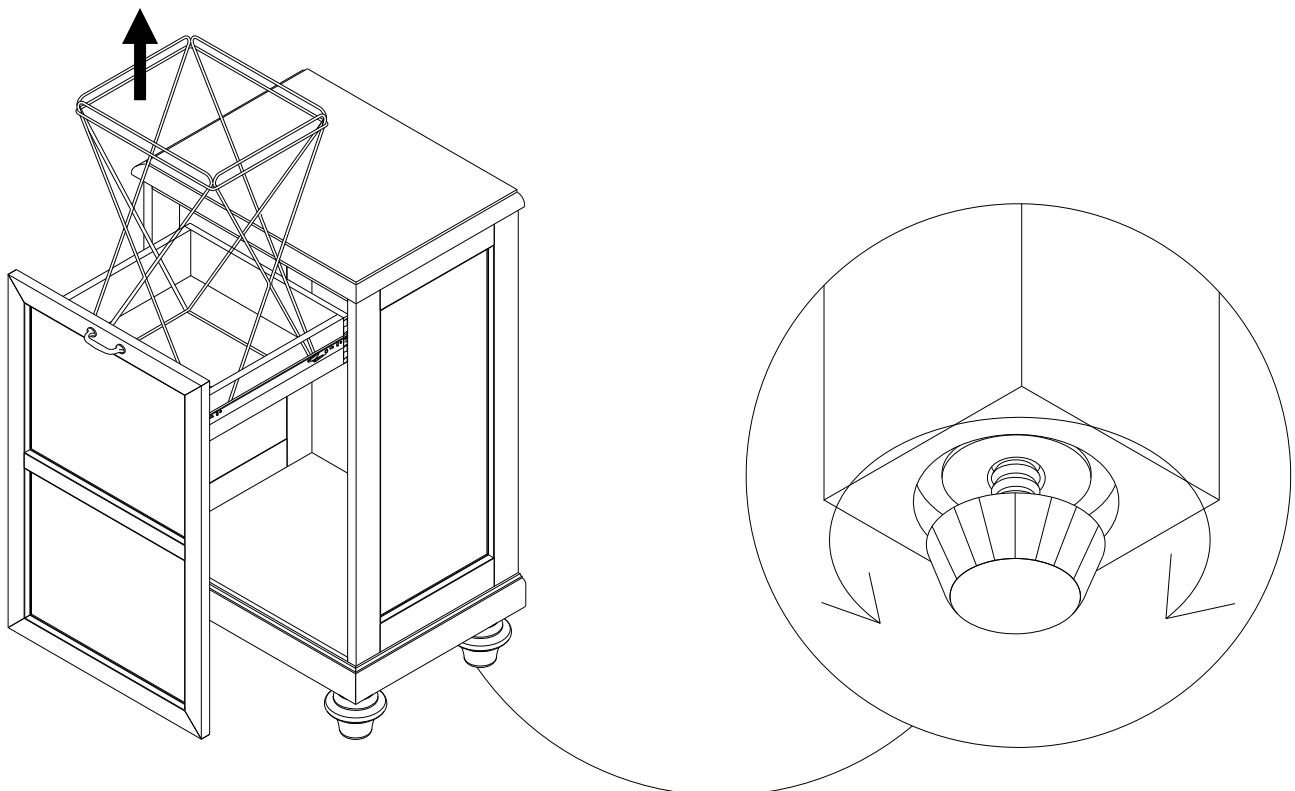
Stud Finder

**Assembly Instruction Steps:**

1. Carefully turn the Hamper Cabinet (A) down on a carpet or scratch free surface. Screw the Legs (B) to the Cabinet by turning clockwise

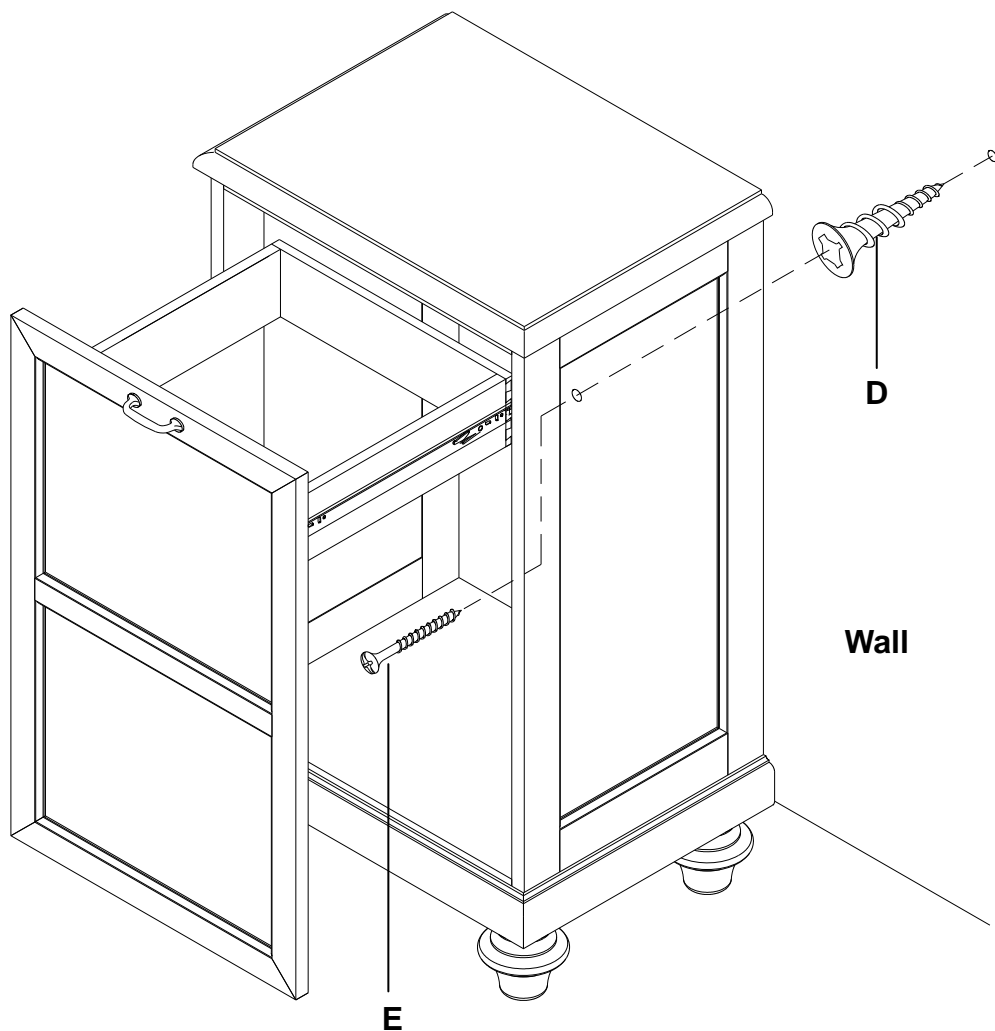


2. Gently turn the Cabinet upright, open the drawer, and take out the metal frame as shown. If needed, adjust the levelers located at the base of each leg to make the cabinet level, turning the levelers clockwise / counter-clockwise until adequate contact is made with the floor.

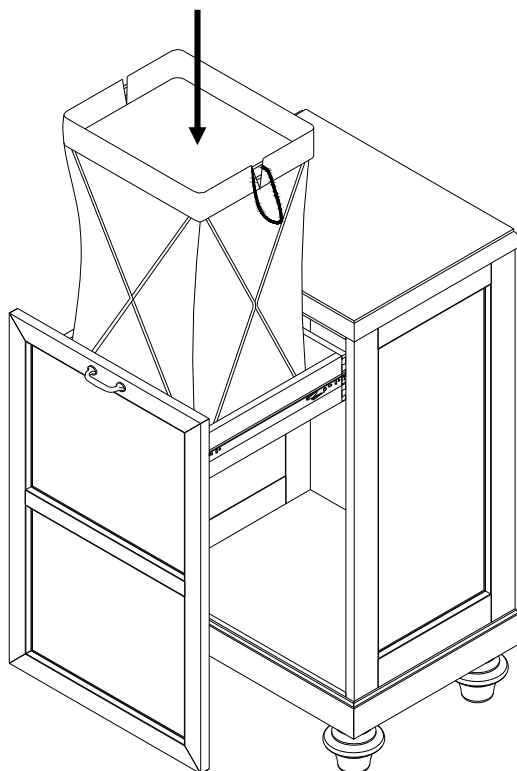
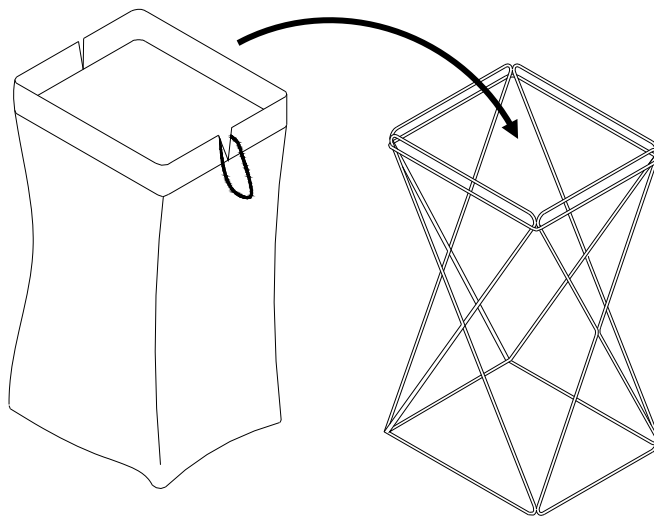


3. **Fix the Hamper to the wall.**

- 1) Position the cabinet against the wall at the desired location. Adjust the cabinet so that it is level and then use a sharp pencil, or a screw to mark the wall through appropriate pre-drilled holes on back panel of the Cabinet. This mark is the insertion mark for the provided hardware.
- 2) The provided toggle is needed for drywall application, but cannot penetrate into wall studs (wood). Therefore, we recommend that you use a stud finder to determine if any of the insertion marks align with a wall stud. If so, only a screw will be used at that mark. If not, then both a toggle and a screw will be used.
- 3) For mark that do not align with a wall-stud, use a screwdriver to engage a toggle and position the toggle tip against the wall at the insertion mark. Gently push the toggle into the wall as you rotate the toggle clockwise. Continue rotating until the large flange of the toggle is flush with the wall.
- 4) Using the supplied toggle screw (E) secure the Cabinet to the installed toggle (D) or directly into the wall if the hole aligns with a wall stud. Rotate screw clockwise until tight.



4. Place the Removable Bag (C) into the metal frame as shown, and then put them back into the drawer. Close the drawer, assembly is complete!



**Care Instructions:**

- Dust often using a clean, soft, dry and lint-free cloth.
- Blot spills immediately and wipe with a clean, damp, cloth.
- We do not recommend the use of chemical cleansers, abrasives or furniture polish on our lacquered finish.
- Hardware may loosen over time. Periodically check to make sure all connections are tight.  
Re-tighten if necessary.

Thank you for your purchase  
Stores | catalog