
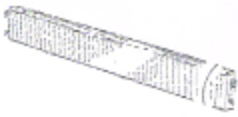
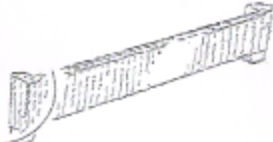

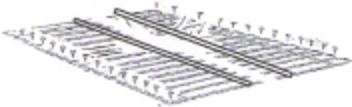





POTTERY BARN

SEAGRASS SLEIGH BED ASSEMBLY INSTRUCTION

- Please read all instruction before beginning assembly.
- For ease of assembly two people are recommended.
- Save all packing materials until assembly is complete to avoid the accidental discarding of smaller parts or hardware.



Parts Included:		
 <p>(1) Head Board</p>	 <p>(2) Side Rails</p>	 <p>(1) Foot Board</p>
 <p>(1) Center Brace</p>	 <p>(2 SETS) 16 PCS SLATS</p>	
Hardware Included		Tools Required
 <p>(4) Metal hook</p>	 <p>(32) Philip screw</p>	 <p>(1) Screw Driver</p>