

P O T T E R Y B A R N

Vintage Asymmetric Mirror

Mounting Instructions

Hardware Included: Two Anchors
Two Screws

Tools Required: Phillips Screwdriver, Level
Pencil, Stud Finder

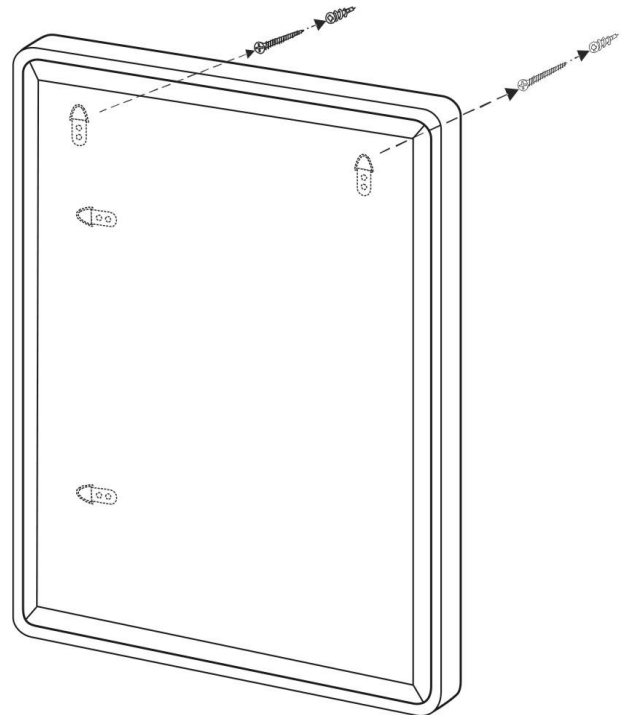
The hardware included with this item is meant for dry wall mounting only. If walls are concrete, brick or plaster, please consult your local hardware store for assistance.

This item includes two pairs of D-rings on the rear surface that are used to mount the mirror to a wall in either of two orientations (portrait & landscape). Firstly, determine which orientation you prefer and then select & use the appropriate pair of D-rings for mounting.

Mounting Instructions:

Before you get started, use a tape measure to measure the exact distance between the two selected D-rings (measure from the center of each D-ring). This measurement is "**Distance A**".

- 1) With the back of the mirror facing away from the wall, hold the mirror at a desired location and orientation on a wall. Use a level to ensure that the mirror is level and then use a pencil to mark the wall on each side of the product adjacent to each D-ring so that the pencil marks are all in alignment with the D-rings. Remove the mirror from the wall.
- 2) Connect the two marks of Step (1) with a slight pencil line and then use a level to make sure that line is level (adjust if necessary). Now use the pencil and the tape measure to make two "insertion marks" centered along this line that are spaced apart a distance equal to "Distance A". These are the insertion points for the mounting hardware.
- 3) The provided anchors cannot penetrate wood. Therefore we have to determine if the marks of Step (2) happen to align with a wall stud (use a stud finder to determine this). If either does, do not use an anchor at the mark. Instead, use a screwdriver to secure a provided screw directly into the wall at this mark. Rotate the screw clockwise until the screw head resides about 3/8" from the wall.
- 4) For marks that do not align with a stud, install a provided anchor into the drywall first and then the screw. To install the anchor, use the screwdriver to engage the anchor and then position the anchor tip against the wall at the mark. Firmly push the anchor into the wall as you rotate it clockwise. The anchor is designed to drive itself into the wall as it is rotated. Continue rotating the anchor until the wide end of the anchor becomes even with the surface of the wall. Do not over-tighten.
- 5) Use the screwdriver to secure a screw into each installed anchor. Rotate the screw clockwise until the screw head is about 3/8" from the wall.
- 6) With the help of another person, lift the item against the wall and align and engage the D-rings with the two protruding screws.



CARE INSTRUCTIONS:

- Dust often with a soft, dry cloth.
- To protect lacquered finish, do not apply polish or household cleaners.

Thank you for your purchase!
Stores / catalog / www.potterybarn.com