

POTTERY BARN

Hudson Headboard

Pre-Assembly:

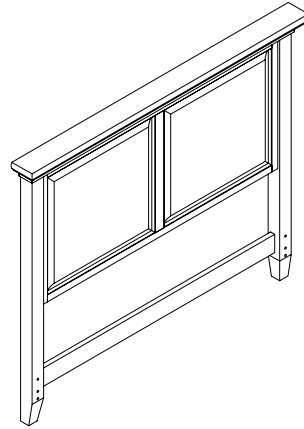
- Please read all instructions carefully before assembly.
- For your safety and ease, assembly by two people is recommended.
- Carefully lay out and identify all parts and hardware prior to assembly.
- Save all packing materials until assembly is complete to avoid accidentally discarding small parts or hardware.

Parts Included:

- (1) Hudson Headboard

Hardware Packet included:

- (2) Allen Key/Allen Wrench (A)
- (6) 1/4"x2-1/2" Allen Bolts (B)
- (6) 1/4"x15x17x9 Allen Nuts (C)
- (6) 1/4"x11mmx2mm Spring Washer (D)
- (6) 1/4"x16mmx1mm Flat Washer (E)



Tool Needed:

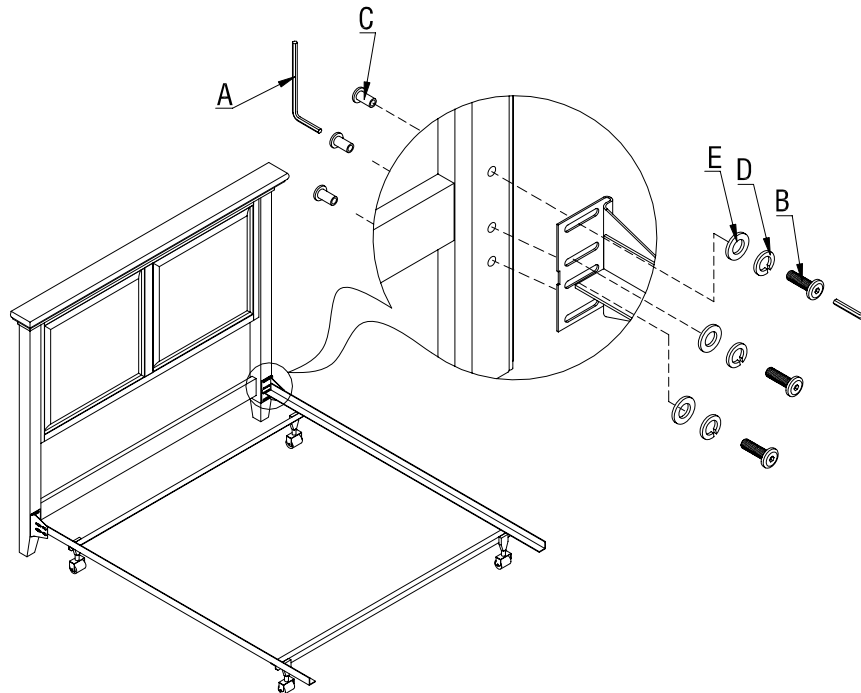
- Philips screwdriver (not provided)

Required for Assembly:

- Pre-assembled bed frame (not included)

Assembly Instructions:

1. Hold headboard upright and tilted slightly towards the faceplates of the pre-assembled bed frame.
2. Align the slots in the faceplates with the pre-drilled holes in the legs of the headboard.
3. Insert an (B) Allen bolt with (E) Flat washer and (D) Spring washer into faceplate slots and through the pre-drilled holes in front.
4. Insert an (C) Allen nut at the back to thread the (B) Allen bolt
5. Repeat steps until all Allen bolts and Allen nuts are in place.
6. Tighten Allen bolts and Allen nuts by using the enclosed (A) Allen key and wrench. Periodically tighten all connections.



Care Instructions:

- To clean, wipe with a soft damp cloth. Always avoid the use of chemical and abrasive cleaners.
- Wipe spills immediately.

thank you for your purchase