

#### Pre-assembly:

- **Before beginning installation, use the parts list to identify each of the components included.**

Care: Clean faucet with soapy water and a soft cloth or sponge. Rinse thoroughly with water. Wipe dry. Drying immediately after use helps prevent lime deposits from forming. To protect the finish, do not use abrasive agents or harsh cleansers. If using a cleaning agent, it is best to first test on a small inconspicuous spot before applying solution to entire faucet.

**thank you for your purchase**

stores | catalog | [www.potterybarn.com](http://www.potterybarn.com)

## POTTERY BARN

### Cole Pressure Balance Tub & Shower Faucet

#### Installation Instructions

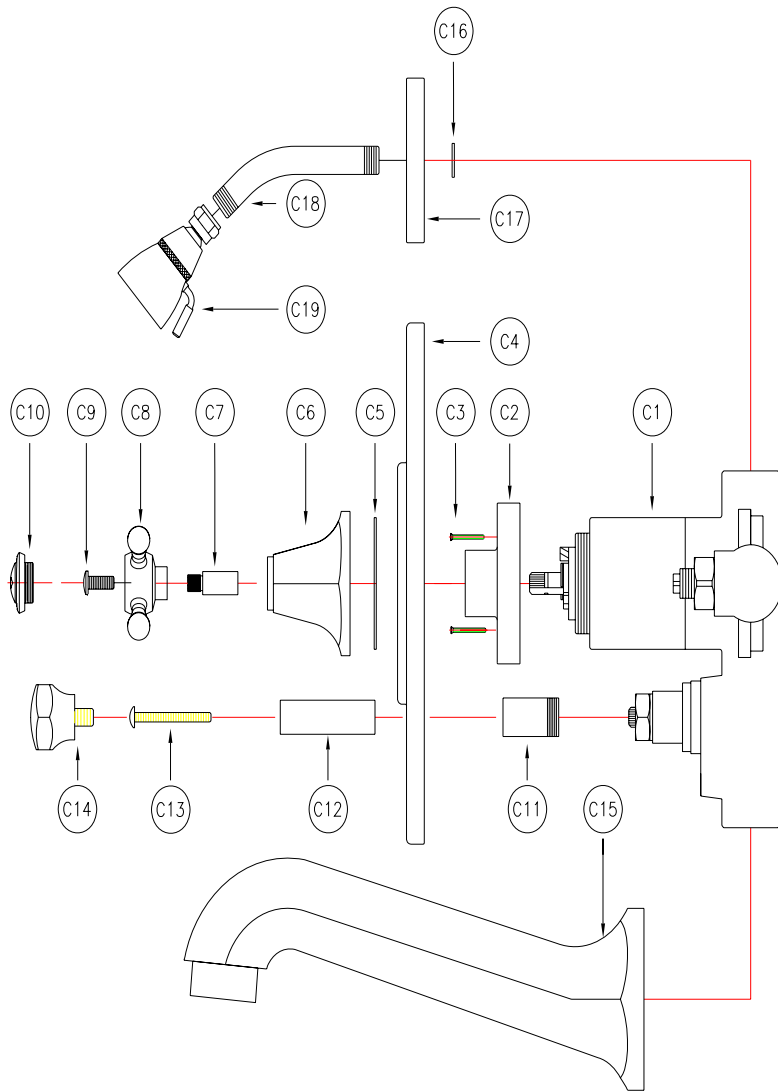
#### Model # RV-208C

#### Professional Installation Required

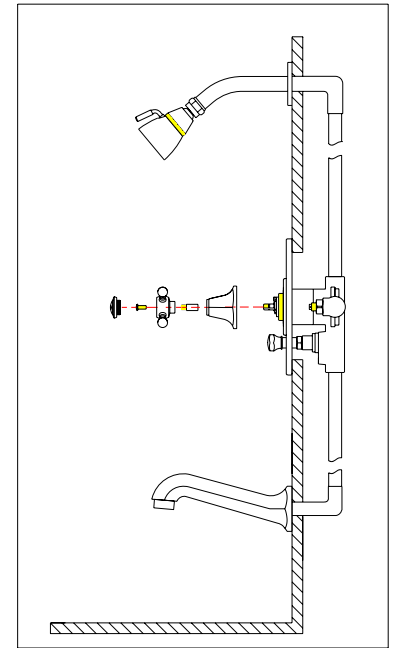
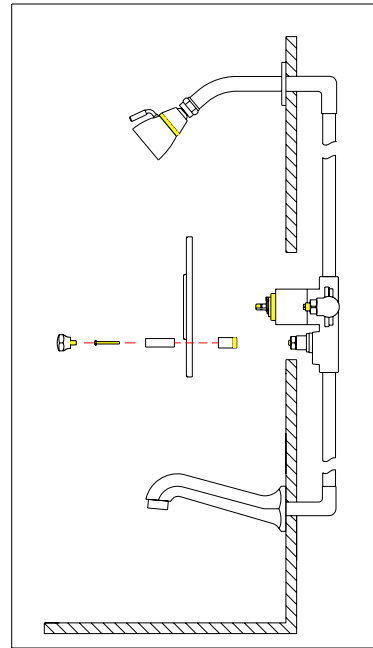
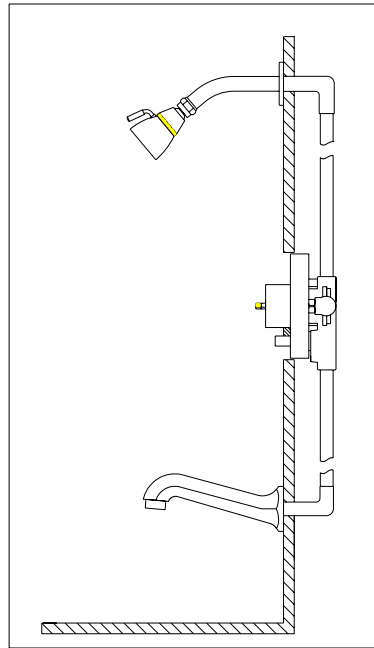
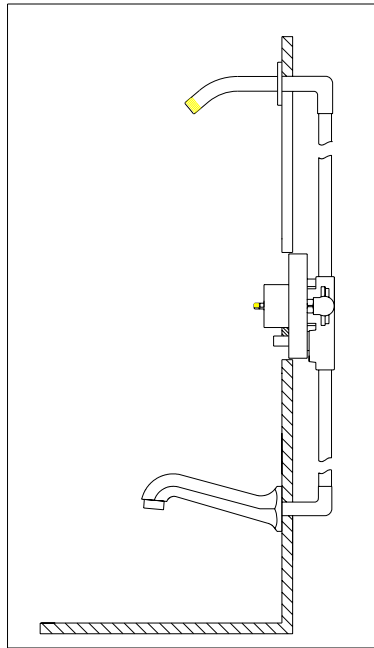
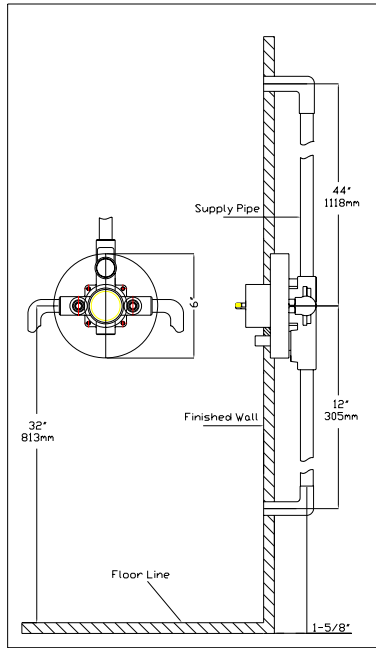
#### Important Safety Instructions:

- **Please read all instructions carefully and completely before beginning installation.**
- Remove all parts and hardware from the box and lay out on a clear workspace, along with any plastic protective packaging.
- Do not dispose of any packaging or contents until assembly is complete to avoid accidentally discarding small parts or hardware.

Flow Rates: Minimum 2.4 GPM



PARTS LIST		
NO.	DESCRIPTION	Q'TY
C1	VALVE	1
C2	PLASTIC PLATE	1
C3	PLASTIC PLATE SCREW	2
C4	FACE PLATE	1
C5	PLATE O-RING	1
C6	HANDLE BASE	1
C7	STEM EXTENSION	1
C8	CROSS HANDLE	1
C9	HANDLE SCREW	1
C10	END CAP	1
C11	DIVERTER SLEEVE	1
C12	DIVERTER HANDLE	1
C13	DIVERTER SCREW	1
C14	DIVERTER CAP	1
C15	SPOUT	1
C16	O-RING	NOT INCLUDED
C17	FLANGE	NOT INCLUDED
C18	SHOWER ARM	NOT INCLUDED
C19	SHOWER HEAD	NOT INCLUDED



Install valve(C1), making sure the 'up' outlet is facing up. Connect water supplies to valve (C1). Note: Hot water to left side and cold water to right side. Use compound or Teflon tape on all threaded connections. Valve (C1) rough-in is 1-5/8" ± 1/2" from centerline of supplies to face of finished wall. Plastic plate (C2) on valve should be flush with finished wall.

Slip the O-ring (C16) and flange (C17) onto the shower arm (C18). Connect shower arm (C18) to the supply pipe. Wrap Teflon tape on threads of the pipe and thread the spout (C15) onto the wall. Do not attach showerhead (C19) to shower arm until after you have flushed the system. If no shower is to be installed, use a 1/2" plug to close top opening of valve(C1). If no spout (C15) is to be installed, use a 1/2" plug to close bottom opening valve(C1). After all connections are made: Test and flush the system. Turn on the water and check connections for any leaks. Place handle on the valve stem

and flush lines by running hot and cold water uninterrupted for one minute. Remove handle. Turn off the water and connect the showerhead (C19).

Unscrew the plastic plate screws (C3) on the plastic plate (C2). Remove the plastic plate (C2). Screw the diverter sleeve (C11) to valve (C1) body and position the face plate (C4) onto the valve(G1) body. Install the diverter handle (C12) into the diverter hole of the face plate. Tighten diverter screw (C13) then screw on the diverter cap (C14).

Screw handle base (C6) into the valve (C1) stem. Attach stem extension (C7) and cross handle (C8). Tighten handle screw (C9) to stem. Screw on end cap (C10).