

# POTTERY BARN

## Hudson Pedestal Table

### Pre – Assembly:

- Please read all instructions carefully before assembly.
- Carefully lay out and identify all parts and hardware prior to assembly.
- Save all packing materials until assembly is complete to avoid accidentally discarding small parts or hardware.

### Parts included:

- (1) Base (A)
- (1) Leg (B)
- (1) Cross Rail (C)
- (1) Table Top (D)

### Hardware Enclosed:

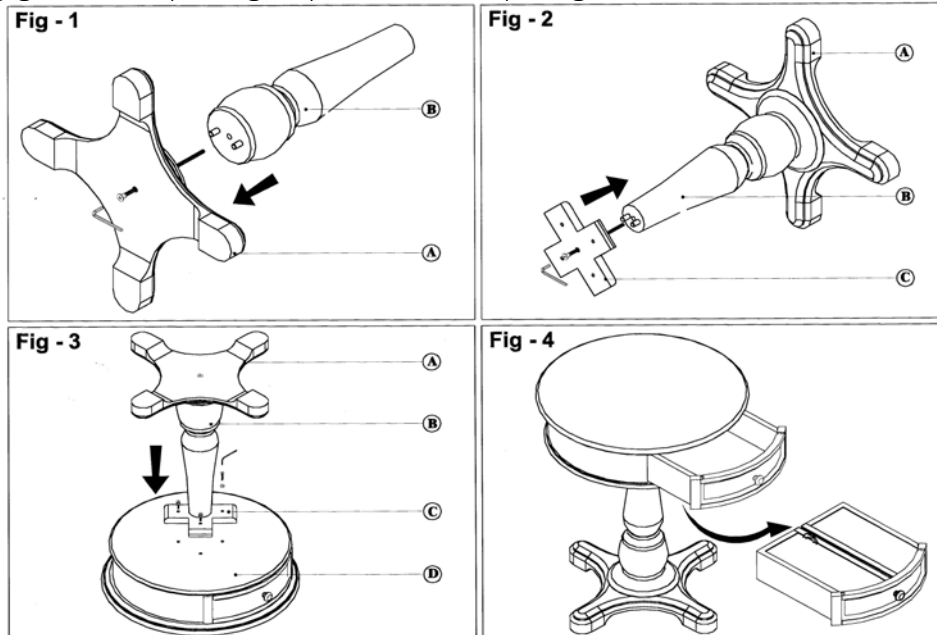
- (2) Sleeve Nut M8
- (2) Tread Bolt M8 x 3 ¾”
- (4) Countersunk Screw M6 x 1 ¼”
- (4) Countersunk Collar 13 mm
- (1) Allen Wrench 4 mm
- (1) Allen Wrench 5 mm

### Assembly instructions:

1. Attach leg (B) to the base (A) using sleeve nut and tread bolt. Make sure dowel guides are placed in each hole. Tighten with 5 mm Allen wrench. (Fig. 1)
2. Place the cross rail (C) onto the leg (B). Make sure dowel guides are placed in each hole. Tighten with 5 mm Allen wrench. (Fig. 2)
3. Gently lay the table top (D) upside down on a soft surface. Attach leg to the table top using countersunk screw and countersunk collar on each hole. Make sure all hardware is properly placed and firmly attached. Tighten with 4 mm Allen wrench. Carefully place table in standing position. Assembly is complete. (Fig. 3)

### Drawer removal instructions:

1. Grasp drawer and pull partially open. (Fig. 4)
2. Locate plastic drawer stop attached to the wooden drawer runner below the drawer box. Pull out. Remove drawer.
3. Re-engage drawer stop to original position before replacing drawer.



### Care Instructions:

- For daily cleaning, dust with a dry, soft cloth. Avoid the use of chemical and abrasive cleaners.

thank you for your purchase