

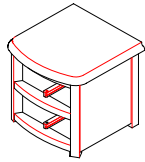
# POTTERY BARN

## charlotte bedside table

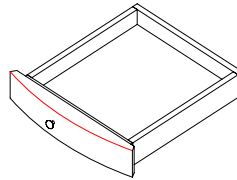
### Pre-assembly:

- Please read all instructions carefully before beginning assembly
- Save all packing materials until the table is fully assembled to avoid accidentally discarding any small parts or hardware. Use the parts and hardware lists to identify and separate each of the components included.
- Use caution if using power tools to aid in assembly. Tools can split wood or strip hardware when not used properly.

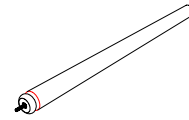
### Parts Included:



(1) bedside box - A



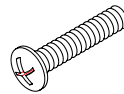
(2) drawers - B



(4) legs - C



(2) wood knob - D

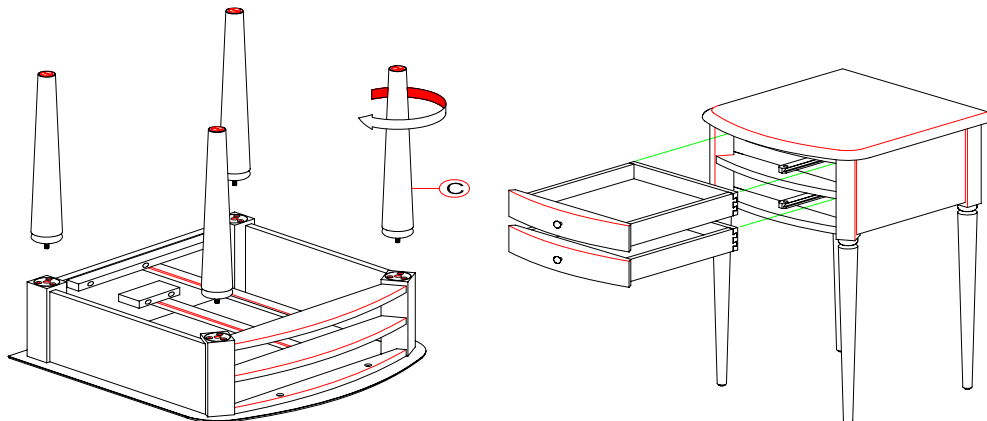
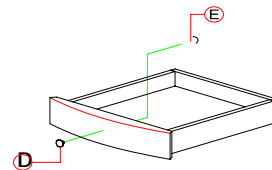


(2) knob screws - E



(4) leg levelers –  
pre-attached

### Assembly Instructions:



1. Place the bedside box upside down on a soft, protected surface. Insert legs into predrilled holes at each corner of bedside box. Tighten to secure.
2. Remove the drawer knobs and screws from hardware package. Place the drawer knob onto the front of drawer. Tighten screw to the knob. Place drawers into box.

Care: Dust often with a soft, dry cloth.

thank you for your purchase  
stores | catalog | [w.potterybarn.com](http://w.potterybarn.com)