

FEATURES

- Diaphragm cartridge maintains water temperature within $\pm 2^{\circ}$
- Compensates for water pressure fluctuations preventing scalding
- Flow rate: 6-7 gpm at 80 psi
- Solid brass construction
- Warranty:
 - Limited lifetime warranty (residential use)
 - One year (commercial use)
- Standard finishes:
 - polished chrome
 - satin nickel
 - polished nickel
 - antique bronze
- Listed by IAPMO, CSA, NSF, and other municipalities
- Shipping weight (lbs.): 13
- Shipping dimensions(in.): 23x13x9

Parts Checklist		
Carefully remove all parts from the box. The following parts should be included.		
ID #	Description	Qty
1	Shower arm	1
2	Shower arm flange	1
6	Shower head	1
7	Tub spout flange	1
9	Tub spout	1
12	Face plate SS-PFP900 (shower only) SS-PFP925 (shower with diverter)	1
16	Diverter knob and post (for SS-PFP925 only)	1
20	Handle trim	1

IMPORTANT INSTALLATION INFORMATION

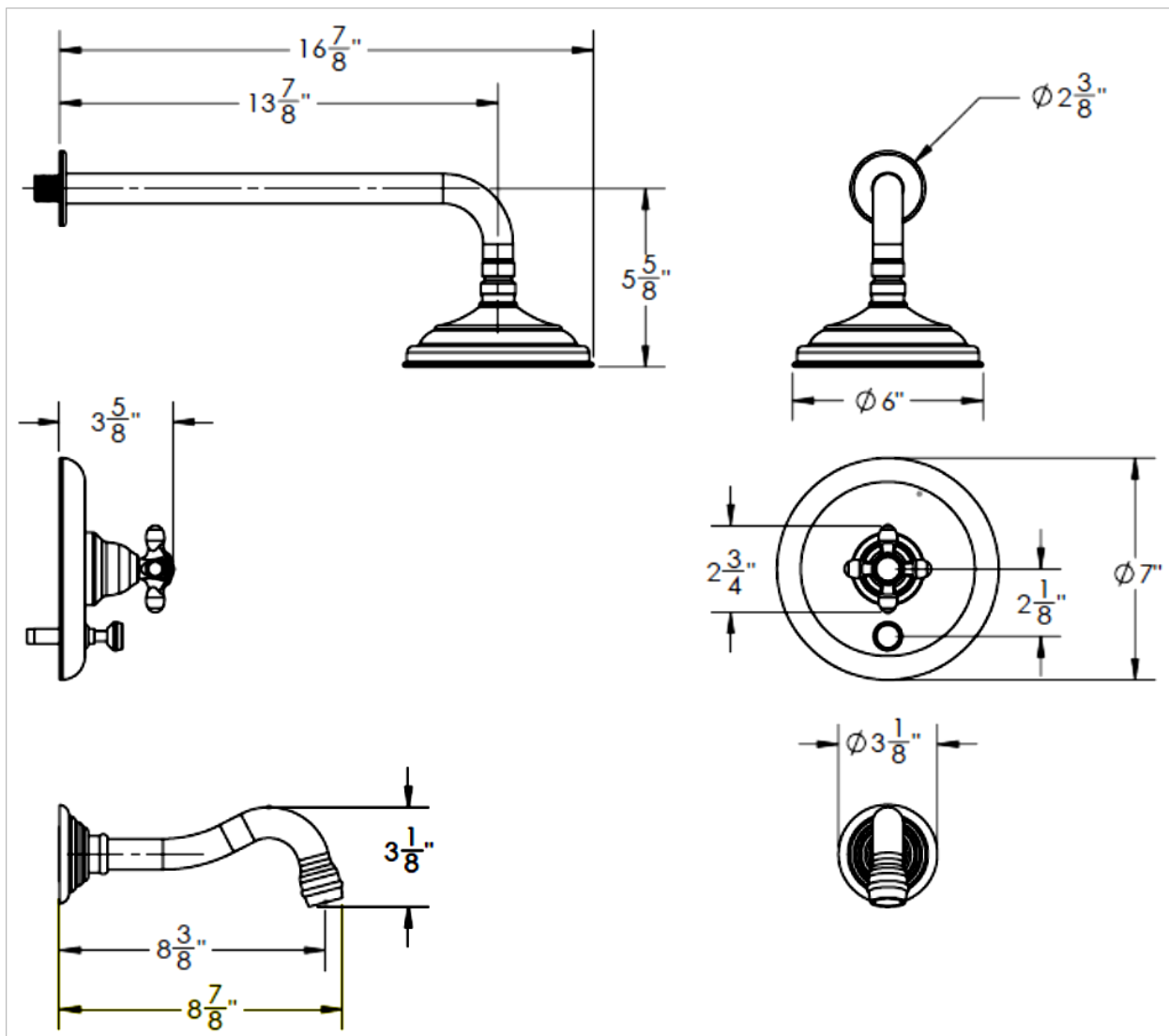
Professional Installation Required

- USE TEFLON TAPE OR PIPE SEALANT FOR THREADED CONNECTIONS
- DO NOT USE PLUMBER’S PUTTY ON ANY OF THE BRASS COMPONENTS
This will cause the finish to tarnish and void the warranty. A non-corrosive Alkoxy Silicone is recommended.
- DURING SWEATING OF LINES DO NOT OVERHEAT CASTING
Overheating may cause damage to internal mechanism
- COPPER ADAPTORS MAY BE REQUIRED TO COMPLETE YOUR INSTALLATION

1. **Ensure valve is properly installed according to Installation Sheet provided with valve.**
Note: Specification from finished wall to tip of broached stem is 4".

2. **Fit faceplate onto valve.**
Note: for tub/shower valves with diverter, screw diverter knob and post (16) onto diverter stem.

3. **Insert handle trim onto stem broach so that escutcheon (20) rests against faceplate (12) and slight clearance is left for handle (20) to rotate freely.**
Note: When fitting handle it may be necessary to shorten broach stem and/or threaded nipple to eliminate gap between handle and escutcheon.



For technical support, please call 1-888-779-5176