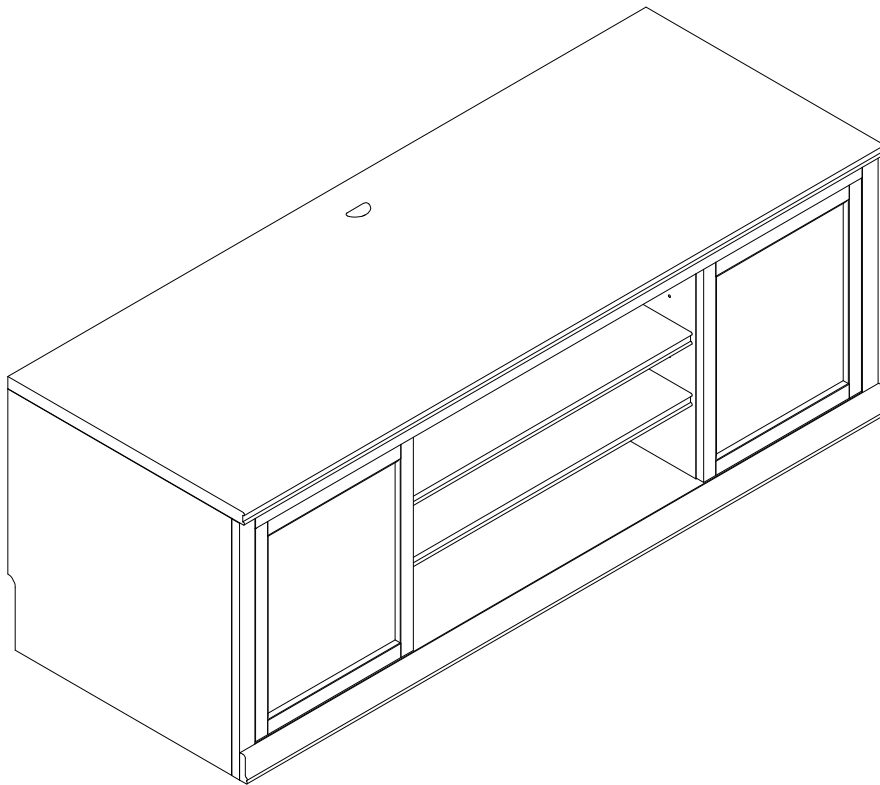


POTTERY BARN



LOGAN LARGE TV STAND

Imported by :
Pottery Barn
3250 Van Ness, San Francisco, CA 94109

⚠ WARNING

For use with televisions weighing 200 lbs / 90.9 (Kg) or less with a maximum width of 62 inches / 157.4 (cm) which represents the overall width or inside dimension of the unit the TV will be placed on.
Attention : this unit is not rated for use with a CRT type television.

⚠ WARNING

Death or serious injury may occur when children climb on audio and/or video equipment furniture. A remote control or toys placed on the furnishing may encourage a child to climb on the furnishing and as a result the furnishing may tip over on to the child.

⚠ WARNING

Relocating audio and/or video equipment to furniture not specifically designed to support audio and/or video equipment may result in death or serious injury due to the furnishing collapsing or over turning onto a child.

All other support shelves should not be loaded more than 25 lbs.

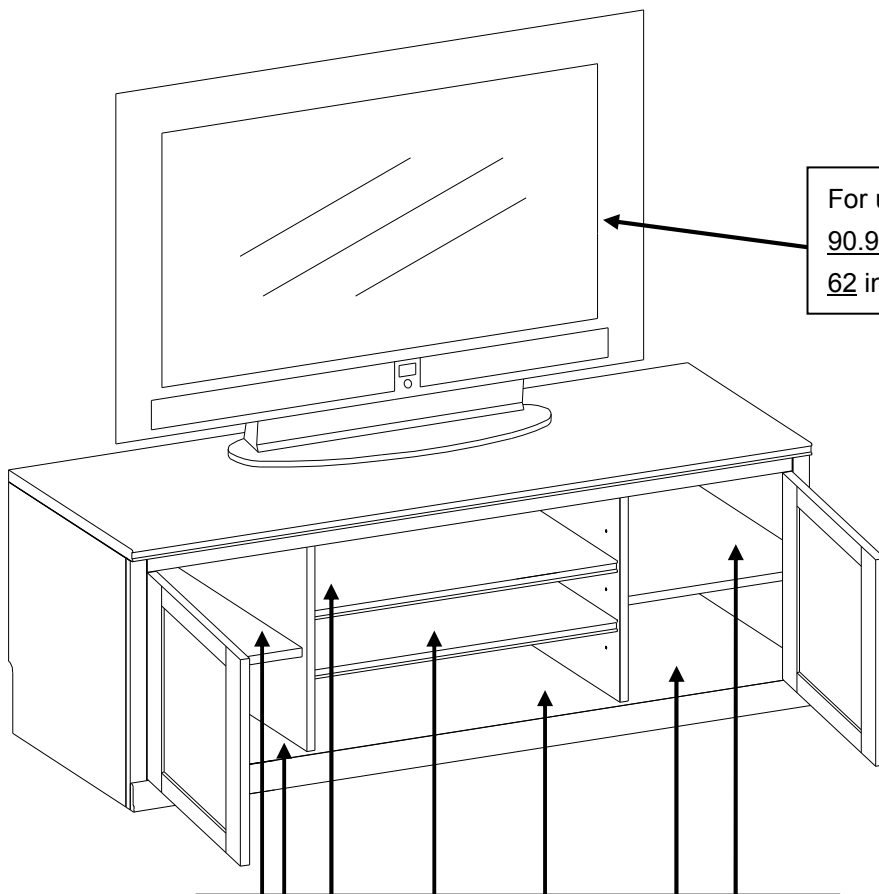
DO NOT EXCEED RECOMMENDED LOAD. Use with heavier televisions may result in instability causing tip over resulting in death or serious injury.

Please use caution when using electrical equipment. Improper use could result in the risk of fire, electric shock or injury to persons associated with the use of this unit during operation, user-maintenance, loading, storage, and, as applicable, electrical issues including grounding or double-insulation.

Electronic components generate heat that may cause damage to the equipment. Please refer to the manufacturer's owner's manual for space and ventilations requirements.

Do not allow children under 16 years to move cart.

04-000077-3



For use with televisions weighing 200 lbs / 90.9 (Kg) or less with a maximum width of 62 inches (157.4 cm).

Product weighing 25 pounds (11.3 kg) maximum per shelf.

Important Safety Instructions:

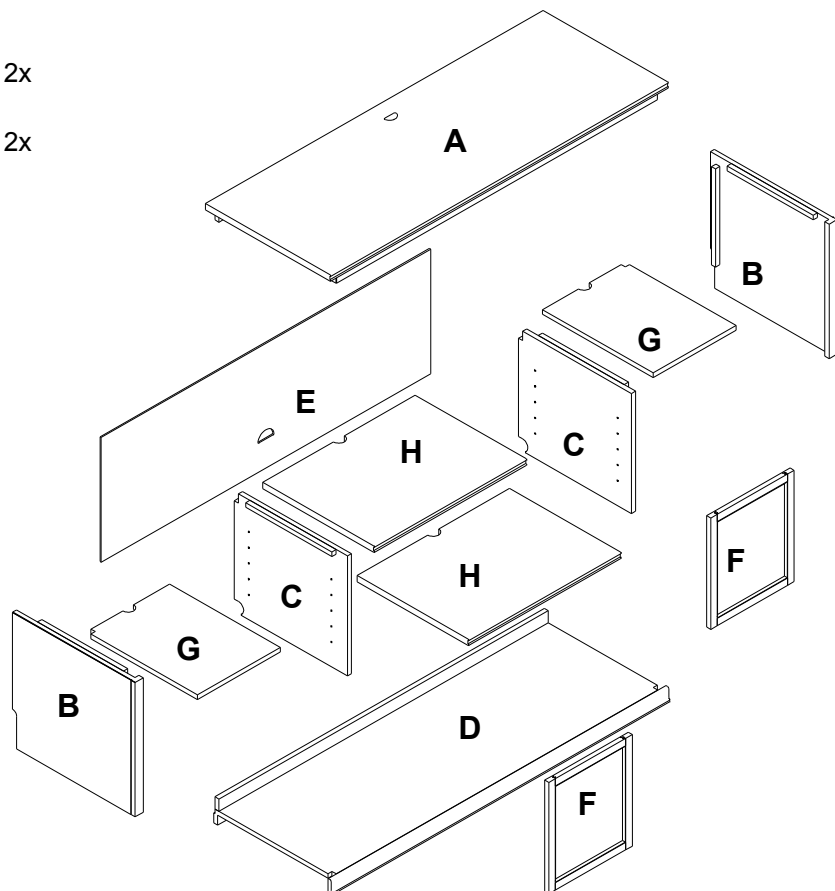
- Please read all instructions carefully before assembling.
- For your safety, assembly by two or more adults is strongly recommended.
- Keep instructions for future use.
- Use only vendor supplied hardware to assemble. Using unauthorized hardware could jeopardize the structural integrity of the item.

Pre-assembly:

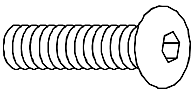
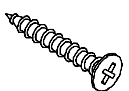
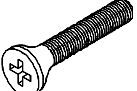
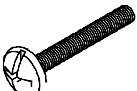
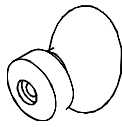
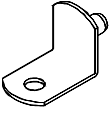
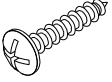

- Remove all parts and hardware from the box and lay out on a clear carpeted or scratch-free work surface, as this will avoid damaging parts during assembly. The shipping box provides an ideal work surface.
- Do not dispose of any packaging or contents of the shipping carton until assembly is completed to avoid accidentally discarding small parts or hardware.
- Use the parts and hardware lists below to identify and separate each of the pieces included.
- The illustrations provided allow for easier assembly when used in conjunction with the assembly instructions.
- The use of power tools to aid in assembly is not recommended. Power tools can damage hardware and split wood.

Parts Included:

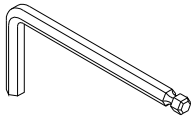
(A)	Top Panel	1x
(B)	Side Panel	2x
(C)	Partition Panel	2x
(D)	Bottom Panel	1x
(E)	Back Panel	1x
(F)	Door	2x
(G)	Small Adjustable Shelf	2x
(H)	Large Adjustable Shelf	2x



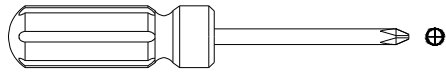
Hardware Included:

<p>(a) Bolt</p>  <p>Dia. 1/4"x1-1/8"L 16x</p>	<p>(b) Wood screw</p>  <p>#8x5/8"L" 24x</p>	<p>(c) Bolt</p>  <p>M4x5/8"L 8x</p>	<p>(d) Bolt</p>  <p>Dia. 5/32"x7/8"L 2x</p>	<p>(e) Handle</p>  <p>2x</p>	<p>(f) Shelf Pin</p>  <p>16x</p>
<p>(g) Wood Screw</p>  <p>Dia.3 x 16mm 16x</p>	<p>● Anti-Tip Kit</p> 				

Tools Required:



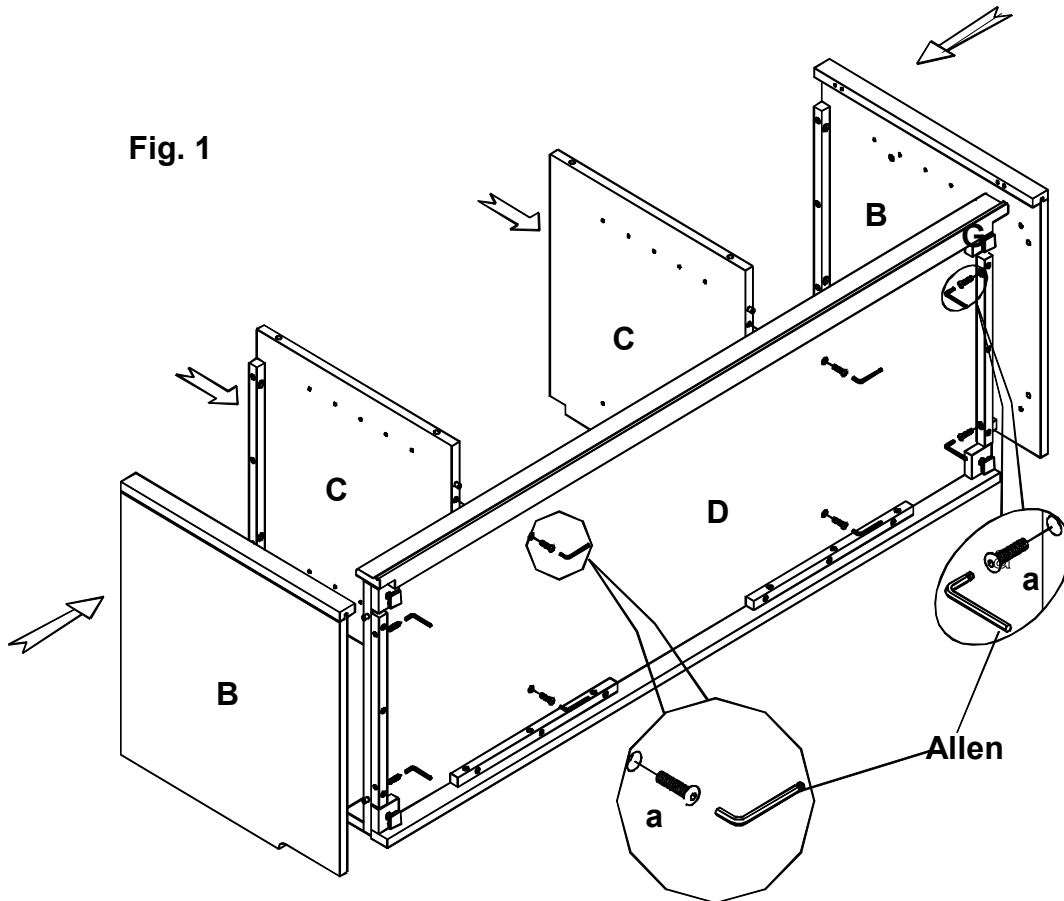
Allen Wrench 4mm 1x



Phillips Head Screwdriver (not included)

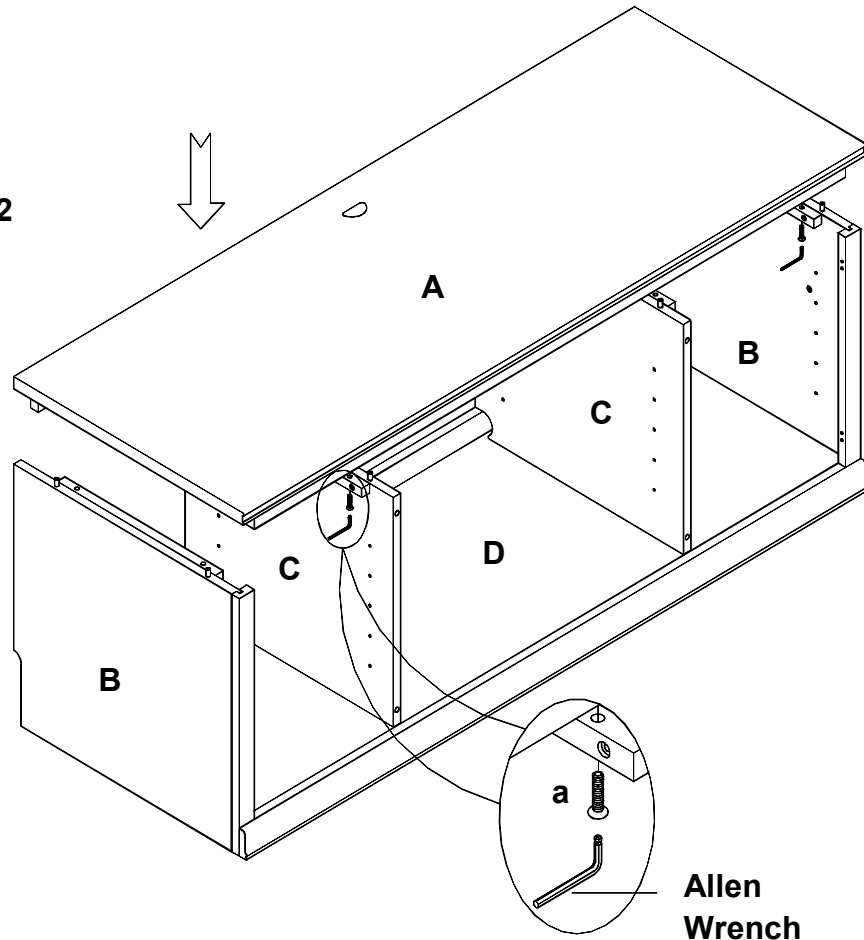
Assembly Instruction Steps:

1. Attach the Side panel (B) and the Partition panel (C) to the Bottom panel (D) using Bolts (a) as shown in **Fig.1** .Tighten by hand first. Securely tighten all bolts with Allen Wrench, but do not over tighten the Bolts.

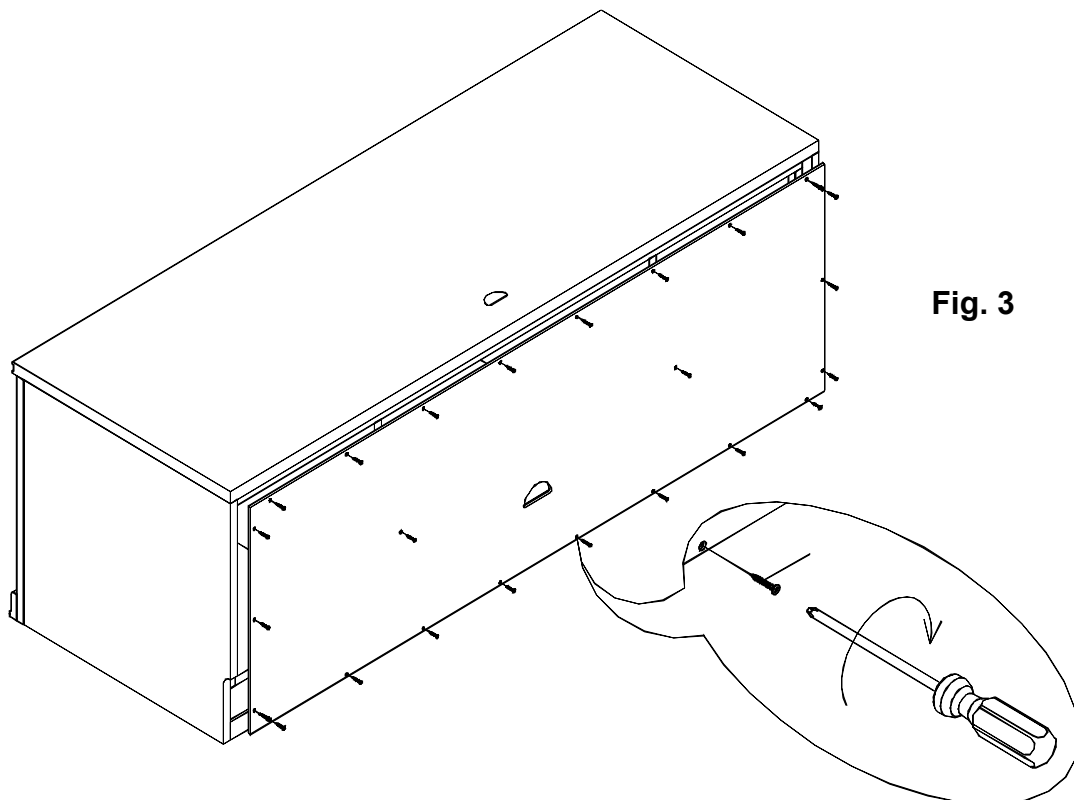


2. Attach the Top panel (A) to the assembled pedestal using Bolts (a) as shown in **Fig.2**. Tighten by hand at first. Securely tighten all Bolts with Allen Wrench, but do not over tighten the Bolts.

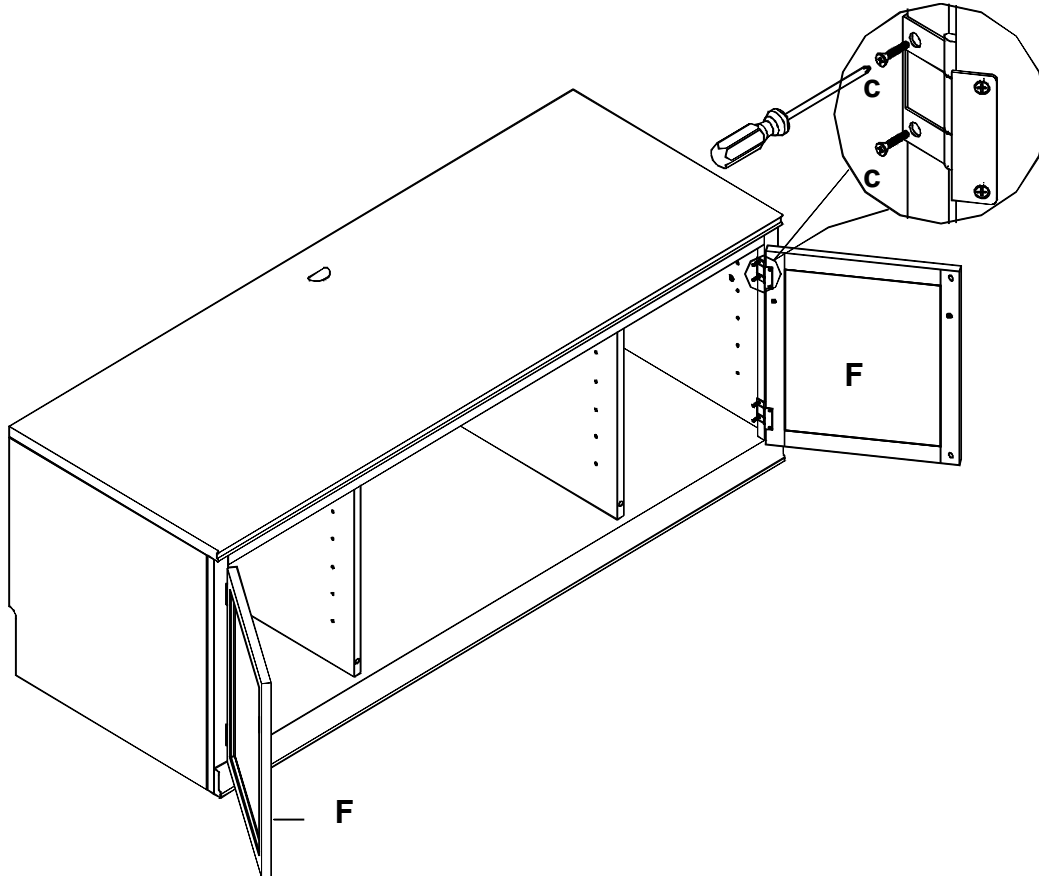
Fig. 2



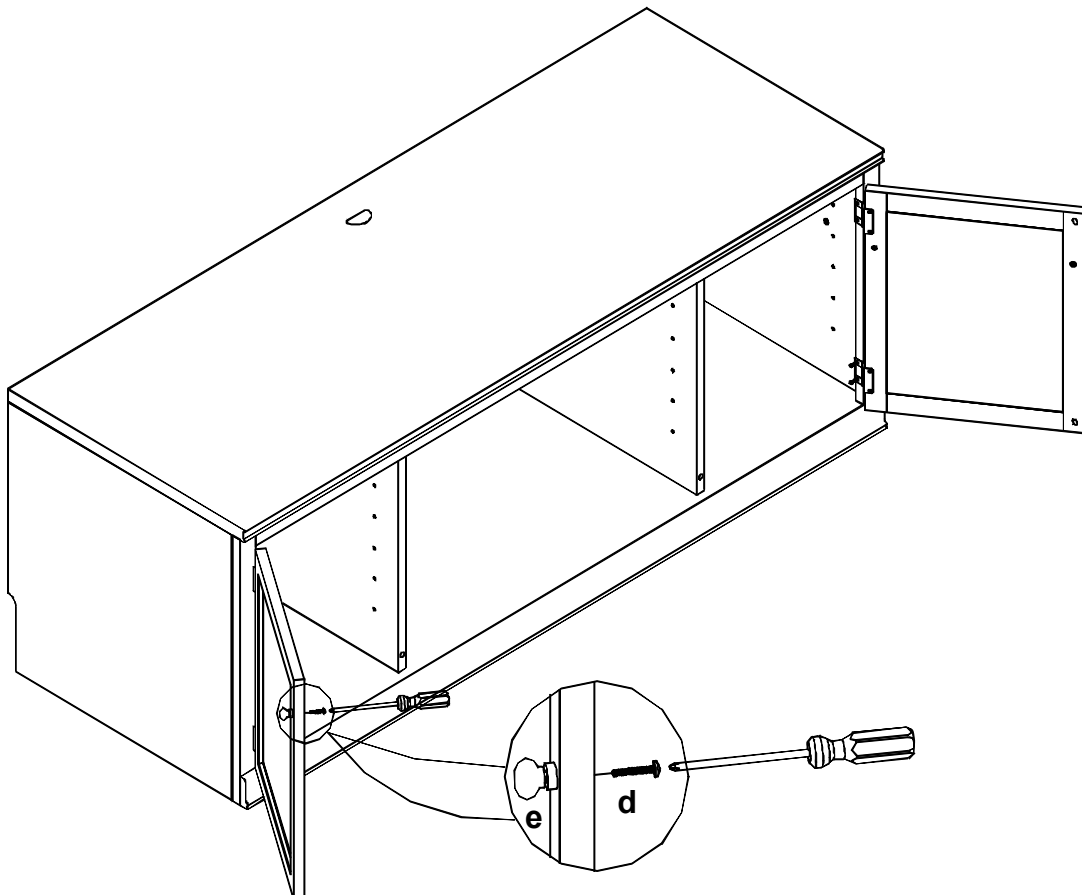
3. Attach the Back Panel (E) to the assembled pedestal using Wood Screw (b) as shown in **Fig.3**. Securely tighten with Phillip screwdriver.



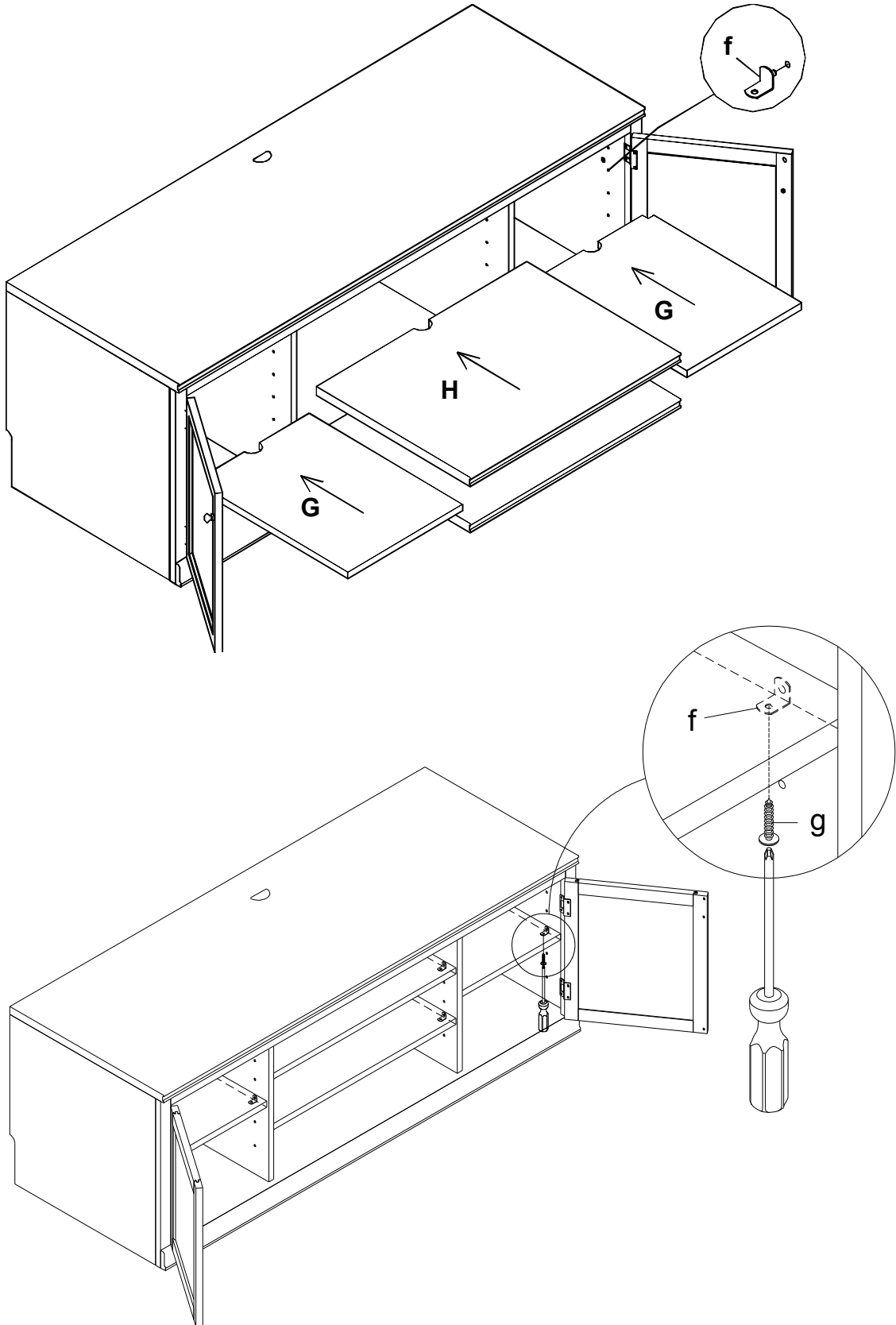
4. Attach the Door (F) onto the Side Panel (B) of assembled pedestal using Bolt (c) .Securely tighten with Philip screwdriver.



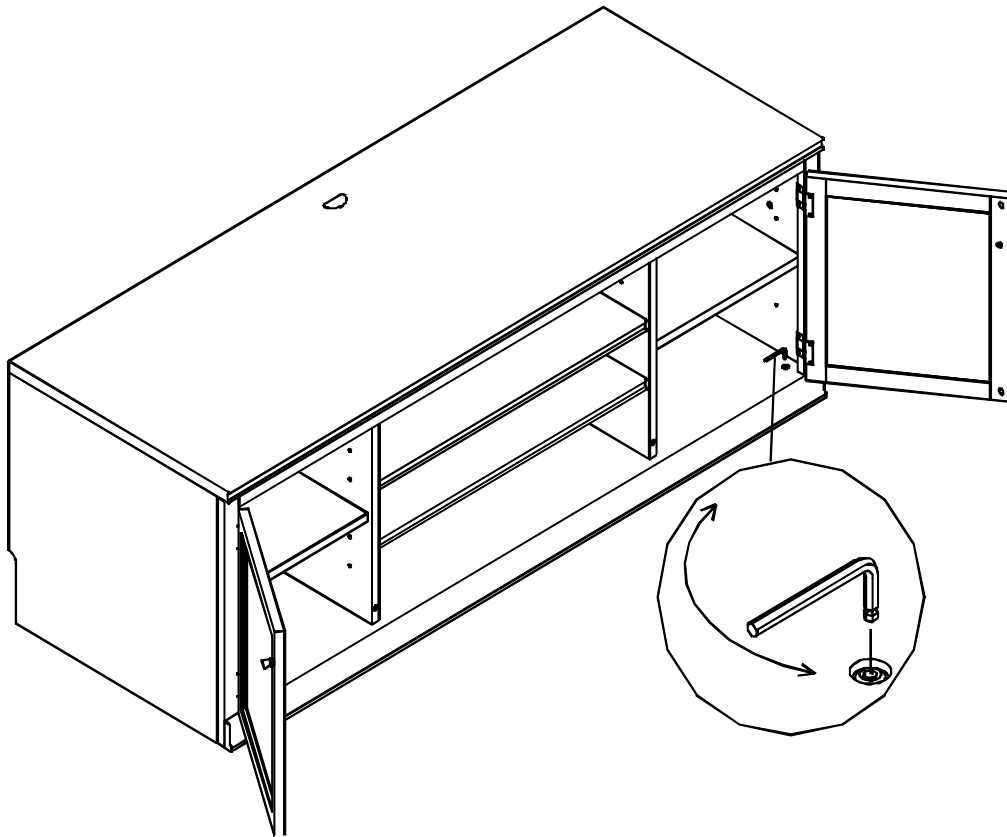
5. Attach the Handle (e) to the Door (F) using Bolt (d) .Securely tighten with Philip Screwdriver.



6. Determine the desired height for the shelf. Insert the Shelf Pin (f) into the pre-drilled holes as shown below. Gently lay the Shelf (G & H) onto the Shelf Pins. and use wood screws (g) to secure the shelf. If willing to change the position of a shelf, first remove the screws from the shelf pins (f) at bottom of shelf and repeat Step 6.



7. If the Furniture still wobbles, open the Side Door (F) and adjust the levelers through the holes at the four corners with Allen Wrench.



NOTE: USE THE ANTI-TIP KIT PROVIDED TO SAFELY SECURE YOUR PRODUCT(S). FOLLOW THE INSTRUCTIONS PROVIDED TO PREVENT SERIOUS INJURY FROM TIPPING FURNITURE.

Care Instructions:

- Dust often using a clean, soft, dry and lint-free cloth.
- Blot spills immediately and wipe with a clean, damp, cloth.
- We do not recommend the use of chemical cleansers, abrasives or furniture polish on our lacquered finish.
- Hardware may loosen over time. Periodically check to make sure all connections are tight. Re-tighten if necessary.

Thank you for your purchase
Stores | catalog

WILLIAMS-SONOMA INC.

3250 Van Ness, SF CA 94109, US

CANADIAN DISTRIBUTION ADDRESS/ ADRESSE DE DISTRIBUTION CANADIENNE / DIRECCIÓN DE DISTRIBUCIÓN EN CANADÁ:
3401 Dufferin St. Space 215, Toronto, Ontario, M6A 2T9, CA

FURNITURE TIPPING RESTRAINT

WARNING: This product is only a deterrent. It is not a substitute for proper adult supervision. Manufacturer assumes no liability for improper installation or excessive loads placed on screws, brackets or straps.

Young children may be injured by tipping furniture and the use of a tipping restraint is highly recommended.

When properly installed, this restraint will provide protection against tipping of furniture. This tipping restraint **MUST** be secured to a wall-stud or wall structure of similar strength.

Hardware included:

(2) Brackets

(1) Nylon Strap

(2) Long Stud Mounting Screws

(2) Short Furniture-Side Mounting Screws

Note: For safe mounting it is essential to use the proper hardware for your wall type. The included hardware is for drywall or stud mounting only. For other wall types (e.g., plaster, concrete and brick) please consult your local hardware store for fastener advice.

To install:

1) LOCATING THE STUDS: Use a stud finder to locate the vertical wooden studs within your wall located behind the final position of the furniture item. Mark the stud locations with a light pencil-mark.

2) MOUNTING THE FURNITURE-SIDE BRACKET: Move the furniture item close to the wall to its final position. Use pieces of tape or a pencil to transcribe the stud locations of the wall onto the furniture item. Move the furniture item again so you can access its back and use the marks to locate a suitable mounting point for the furniture-side bracket. Make sure that the bracket is secured to a firm portion of the furniture frame and as high as possible. Remember: The furniture-side bracket must be positioned near a wall stud. Using a pencil, and the bracket as a guide, mark "screw marks" on the furniture item through the bracket holes.

Use a 3/32" drill bit to drill pilot holes into the furniture item at the "screw marks". Use the TWO Short screws to secure the furniture-side bracket. This bracket can be positioned either vertically or horizontal as necessary (See Figure 1).

3) MOUNTING THE WALL-SIDE BRACKET: Position the wall-side bracket along the selected stud mark so that it will be adjacent the furniture-side bracket when the furniture item is moved to its final position. The wall-side bracket should be about ONE inch lower than the furniture-side bracket (See Figure 3). Use the TWO Long screws to secure the wall-side bracket to the wall. Remember to position the wall-side bracket vertically so that both screws will engage the selected wall stud (See Figure 2).

4) ATTACHING THE STRAP: When both brackets are securely attached, move the furniture to its final desired position and thread the strap through the openings of each bracket and also through the ratcheting "buckle". Tighten the strap until several "clicks" are heard. The furniture item is now securely tethered to the wall.

Note: If you must move the furniture item, you can release the strap by depressing the lever arm located at its buckle and simultaneously withdrawing the strap from the buckle. Make sure to reconnect the strap once the furniture item is returned to its previous position.

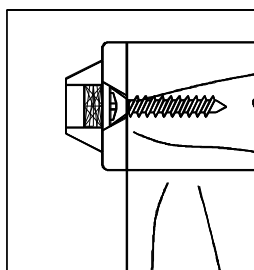


Figure 1

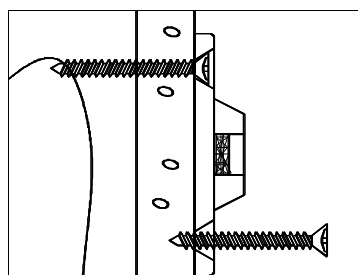


Figure 2

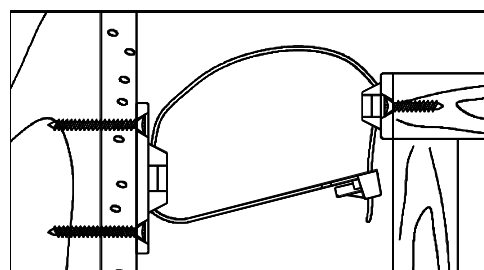


Figure 3