

P O T T E R Y B A R N

Benchwright Single Sink Console Assembly Instructions

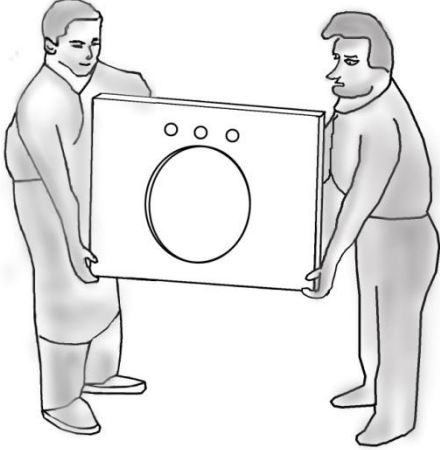
VANITY TOP Handling Instructions

CAUTION:

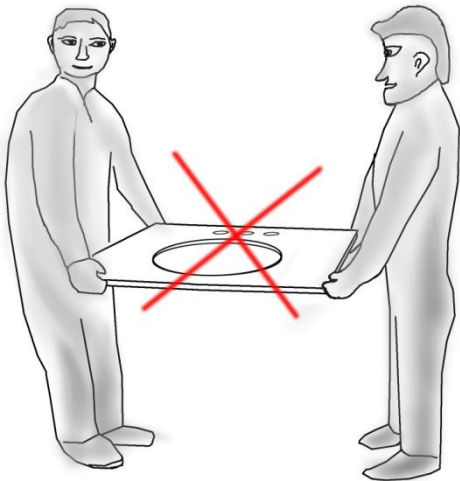
Keep natural stone material in it's packing until installation and store on its edge.

When removing natural stone product from its package, always ensure it is removed vertically on its long edge.

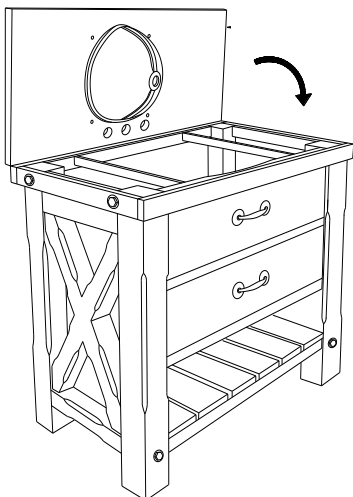
***Always carry natural stone product vertically on its long edge.**



***Carrying natural stone flat WILL cause them to crack or break.**



***Place top as close as possible to the final desired location.**



Note: Avoid moving the top after it has been set into place

POTTERY BARN

Benchwright Single Sink Console Assembly Instructions

- Please read all instructions before beginning assembly.
- For your safety and convenience, assembly by two people is recommended.
- Use the parts and hardware lists to identify and separate each of the components included.
- Save all packing materials until assembly is complete to avoid the accidental discarding of smaller parts or hardware.
- Remove all parts and hardware from the box and lay out on a clear carpeted or scratch-free work surface, as this will avoid damaging parts during assembly. The shipping box provides an ideal work surface.
- Keep instructions for future used.

TOOLS:

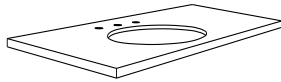


(1) Allen Key

PARTS:



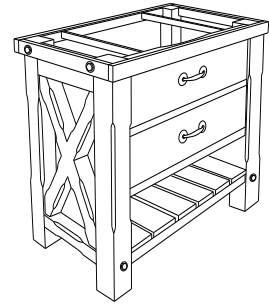
(1) Basin - A



(1) Marble top - B



(1) Back splash - C



(1) Console base - D

HARDWARE:



(4) Bolt-E



(4) Spring washer-F



(4) Flat washer - G



(4) L shape bracket - H

Assembly Instructions:

1. Carefully turn the marble countertop (B) up on a carpet or scratch-free surface. Position the basin (A) over the marble top cut-out. Make sure the basin is centered to the marble top cut-out. Attach basin to marble top by placing L shape brackets (H) and insert bolts (E) with spring washers (F) and flat washers (G). Tighten by Allen key provided. But **DO NOT** over tighten. Repeat for the other basin. (Fig. 1)

Note: position the basin (A) squarely under the cut-out before fixing L shape brackets, do not tighten the brackets at this stage
Apply a continuous bead of high quality silicone or acrylic based bath sealant to the basin rim where it will contact the countertop

DO NOT USE PLUMBERS PUTTY OR ANY OIL BASED SEALANT AS THIS WILL STAIN THE MARBLE.

Note: Do not use adhesives or adhesive sealants.

Draw the basin rim up to the countertop until it is snug

CAUTION: TO AVOID BREAKAGE, DO NOT OVER-TIGHTEN WITH ALLEN KEY.

Immediately wipe away any excessive sealant.

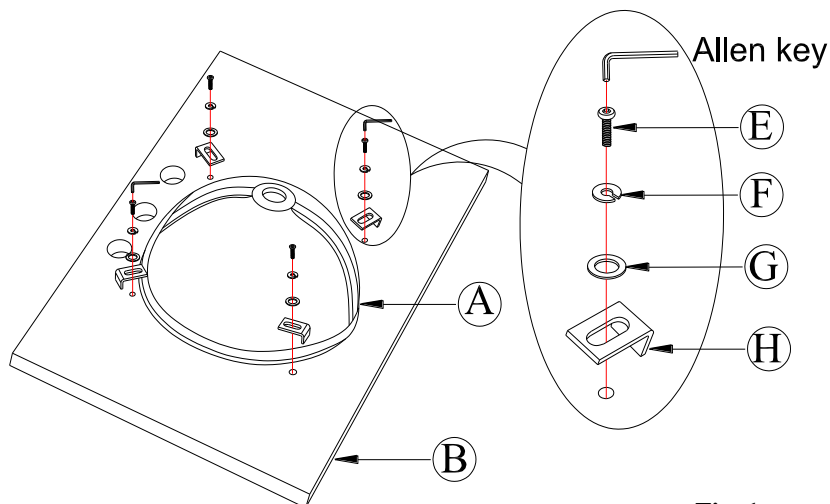


Fig. 1

- Carefully lift up the marble top (B) with basin attached to place it onto the console base (D). Let the marble top lies flatly on top of the console base (D). (Fig.2)

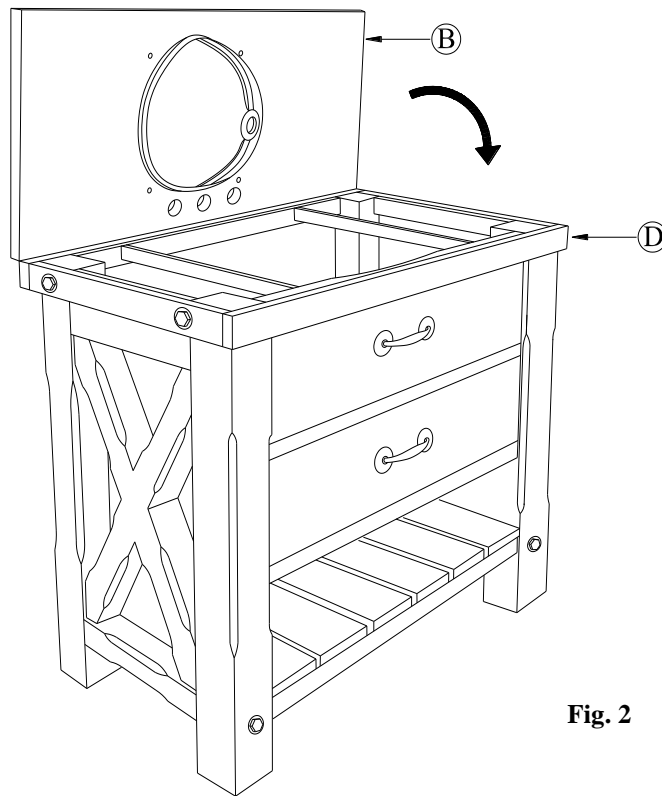


Fig. 2

Caution: For safe handling, 2-3 people are recommended.

Adjust the basin position to make sure drain holes are right on top of the cut-out for drainpipe on the shelf. Now secure the basin tightly.

Avoid moving the top after it has been set into place. Allow the top to dry a minimum of 24 hours to allow for proper adhesion to the console.

- Use high quality silicone or acrylic based bath sealant to install back splash (C) in place (Fig.3), clean up any excess immediately with a clean damp rag. **DO NOT USE PLUMBERS PUTTY OR ANY OIL BASED SEALANT AS THIS WILL STAIN THE MARBLE.** Wipe off any excess wax or residue that may have accumulated around sink area.

Caution: Do not allow children to stand on lower shelf or drawer.

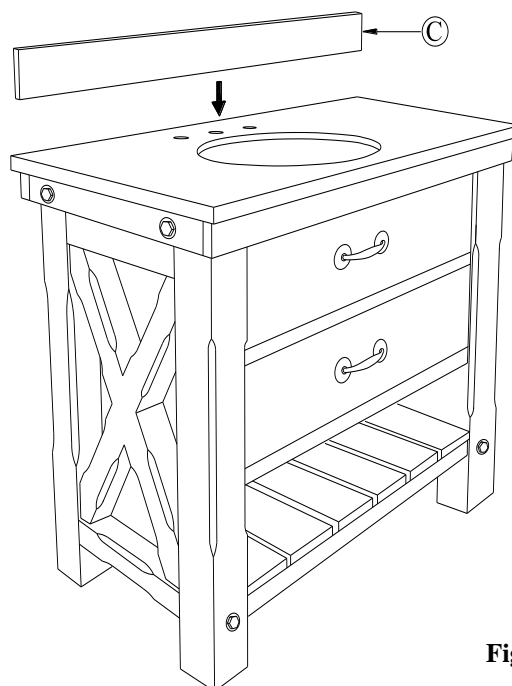


Fig. 3

4. Assembly is complete. (Fig.4)

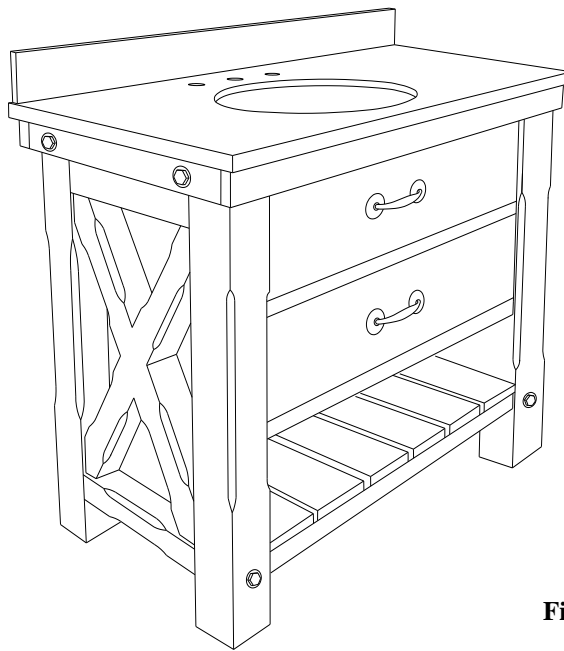


Fig. 4

Adjusting Levelers:

Due to an uneven floor the furniture may not sit level due causing it to wobbles. If the piece wobbles, determine which corner does not touch the ground correctly. You may follow these steps:

1. Carefully lift the item slightly to provide access to the levelers attached to the bottom.
2. Turn the levelers until adequate contact will be made with the floor. Gently set down the piece and check stability.
3. Repeat steps until furniture sits firmly on the ground.

Console Base Care Instructions:

- Dust with a clean, soft damp cloth and wipe dry immediately.
- Avoid the use of chemicals and harsh cleaning agents

Marble Care Instructions: Marble is a natural material. The amount of veining and coloration will vary which is part of its inherent beauty. Marble is sensitive to acid, as it's kind of natural stone, and consists mainly of calcium carbonate; please remove wine or fruit juice immediately from the surface of marble top. We strongly advise to avoid using acidic cleaners.

To maintain the marble top:

Consult with a professional at your local home supply store regarding sealer. Re-apply sealer every two years.

Clean frequently with a clean soft damp cloth. Use a mild liquid detergent and warm water.

Avoid all types of abrasive cleaners and rough cleaning pads. Do not use any products that contain acids on the marble as this can cause the finish to dull. Liquid spills should be cleaned up promptly.

Placing protective pads on the bottom of any heavy objects will help prevent scratching of the marble surface.

Do not place extremely heavy items on the marble top.

Thank you for your purchase.
stores | catalog | www.potterybarn.com