

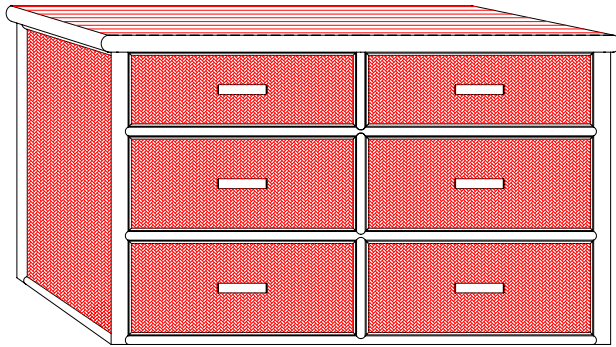
# POTTERY BARN

## CLASSIC RATTAN DRESSER Assembly Instructions

- Please read all instruction before beginning assembly.
- For ease of assembly, assembly by two people is recommended.
- Save all packing materials until assembly is complete to avoid accidentally discarding smaller parts or hardware.

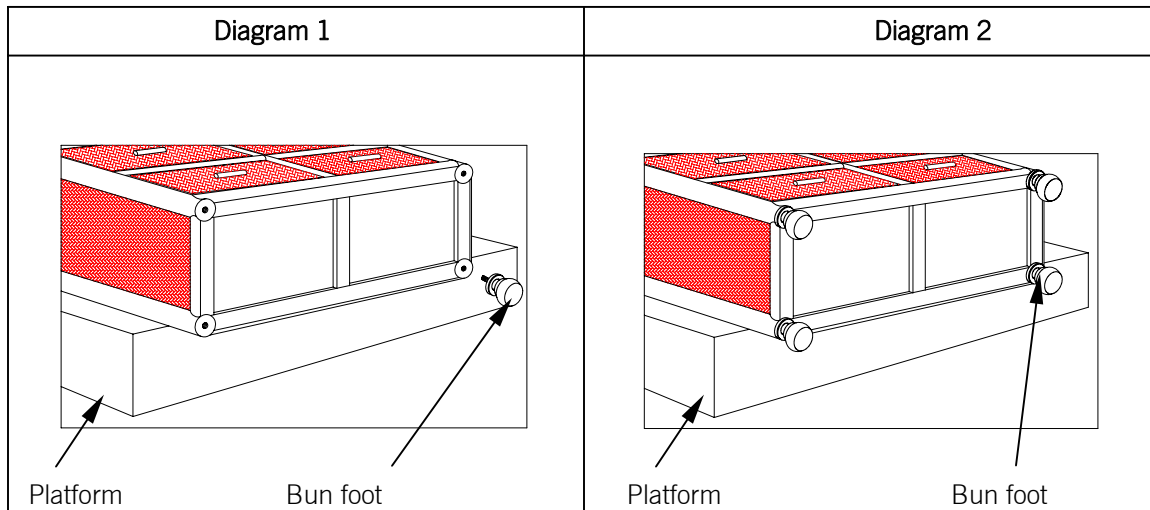
### Parts Included:

- (1) Dresser
- (4) Feet



### Attachment of bun foot to dresser:

1. Gently lay dresser onto its side on a platform or table with a soft cover to prevent from scratching the surface of the back. Diagram 1.
2. Align one foot to a pre-drilled hole in dresser bottom. Screw in foot until tight. Repeat for the remaining feet. Diagram 1 and 2.
3. Carefully pull dresser up to a standing position.



### Care Instruction:

- For daily cleaning, wipe with a soft damp cloth. Wipe dry immediately.
- To protect the finish, avoid the use of chemicals and harsh cleaning agents.