

# P O T T E R Y B A R N

## Pendant Light Antique Silver Assembly Instructions

### IMPORTANT SAFETY INSTRUCTIONS:

- These instructions are provided for your safety. It is very important that they are read carefully and completely before installing fixture.
- We strongly recommend that a professional electrician install all direct wired fixtures.
- This fixture has been rated for up to 40-watt Max TYPE A bulb.
- To avoid the risk of fire, do not exceed the recommended wattage.

### Pre-Assembly:

- For your safety and convenience, assembly by two persons is recommended.
- Remove all parts and hardware from box along with any plastic protective packaging. Do not discard any contents until after assembly is complete, to avoid accidentally discarding small parts or hardware.

### Hardware Included:

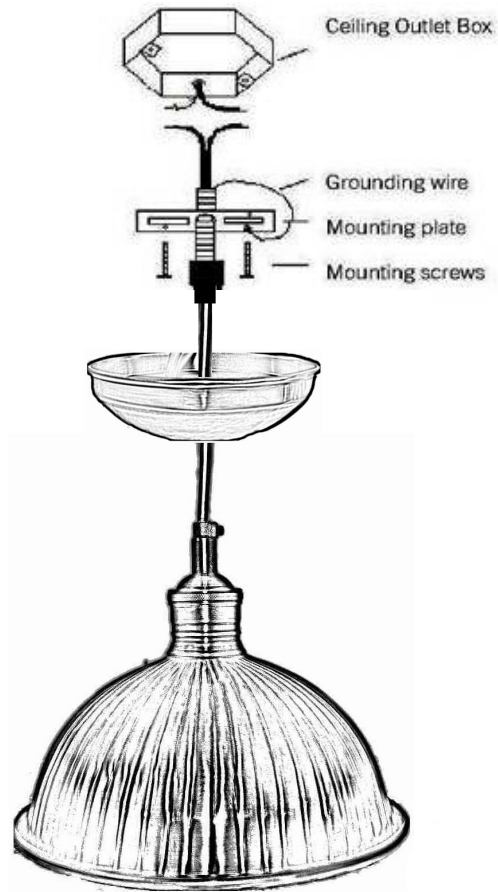
- (1) Pendant
- (1) Upper fixture pole with threaded nipple
- (1) Chain
- (1) Canopy
- (1) Mounting plate
- (2) Mounting screws
- (1) Ground screw

### To Install You Will Need:

- Screwdriver
- Pliers
- Electrical tape
- Plastic wire connectors (included)

### To Install:

1. SHUT OFF THE MAIN ELECTRICAL SUPPLY FROM THE FUSE BOX / CIRCUIT BREAKER.
2. Unscrew the canopy down the chain.
3. Gently pull the wiring down from the ceiling outlet box. Identify the three wires:
  - **HOT WIRE** - usually has a black covering.
  - **NEUTRAL WIRE** - usually has a white covering
  - **GROUND WIRE** - usually has a bare copper or green covering.
4. Carefully inspect the pendant's three fixture wires:
  - The **NEUTRAL WIRE** has white covering.
  - The **HOT WIRE** has black covering. This is also marked '+' by a tag.
  - The **GROUND WIRE** has Green covering and is already connected to Ground Screw near the mark 'GND' on mounting plate.
5. Wrap the **GROUND WIRE** of the outlet box around the ground screw near the mark "GND" on the mounting plate. Tighten with a screwdriver. If your outlet box DOES NOT have a **GROUND WIRE**, leave the fixture's ground wire as is, attached to the green ground screw.  
**IT IS IMPERATIVE THAT THE OUTLET BOX IN YOUR HOME BE PROPERLY GROUNDED.**
6. Connect the **NEUTRAL WIRE** of the fixture to the **NEUTRAL WIRE** of the outlet box. Fasten with a plastic wire connector. Wrap with electrical tape. Be sure no wire strands are exposed.
7. Connect the **HOT WIRE** of the fixture to the **HOT WIRE** of the outlet box. Fasten with a plastic wire connector. Wrap with electrical tape. Be sure no wire strands are exposed.
8. Gently tuck the wire connections completely into the ceiling outlet box.
9. Attach the mounting plate to the ceiling outlet box with two mounting screws using a screwdriver.
10. Raise the canopy, and rotate it clockwise until it is flush with the ceiling.
11. Insert 40W Max Type-A bulb (not included).
12. Restore power to the main electrical supply.
13. Assembly is complete.



Care Instructions:

- Wipe with a soft dry cloth.
- Do not use abrasives or household cleaners.

**WARNING:** This lighting fixture contains lead, a chemical known to the State of California to cause cancer, birth defects and other reproductive harm. Wash hands after installing, handling, cleaning or otherwise touching this light fixture.