

# POTTERY BARN

## HOTEL RECESSED MEDICINE CABINET - REGULAR

### Assembly Instructions

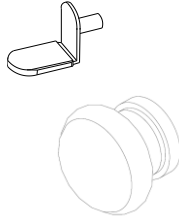
#### Note: Professional Installation Required

#### Important Safety Instructions:

- For safe mounting, it is essential to use the appropriate hardware for your wall type (plaster, drywall, concrete, etc.)
- Contact your local hardware store to determine the hardware needed.
- Mount to wood studs whenever possible.
- Two people are recommended for safety and ease of mounting.
- The maximum individual shelf weight capacity is 20 lbs. Do not exceed the load capacity to avoid damaging.

#### Hardware Included:

- (8) Shelf Brackets  
- A
- Knob



- Note: A total quantity of four (4) #8 wood screws (not supplied) of appropriate/sufficient length are

#### Pre-Assembly

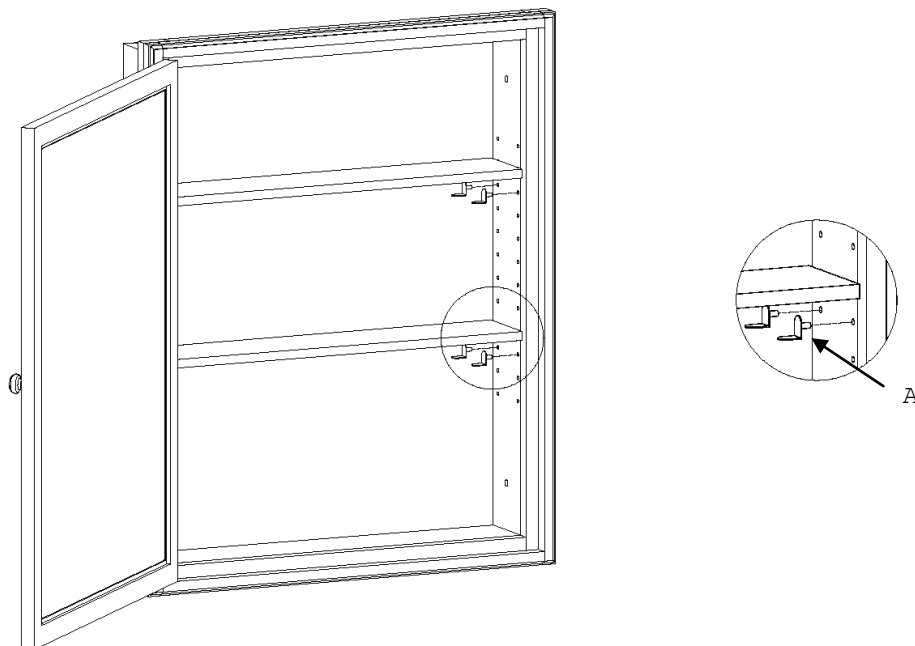
- Please read all instructions before beginning assembly.
- Save all packing materials until mounting is complete to avoid accidentally discarding smaller parts or hardware.
- Keep all parts and plastic bags out of the reach of children.

#### Professional Mounting Instructions:

1. After measuring the recessed portion of cabinet, make a cut out in the wall measuring 470 mm W x 89 mm D x 572 mm H (approximately 18-1/2" W x 3-1/2" D x 22-1/2" H).
2. Place the cabinet into the wall. With a pencil, mark the location of the 4 screw holes. Use a carpenter's level to ensure that the cabinet will be level.
3. Mount the cabinet to the wall with the proper hardware for your wall type.

#### Shelf Installation:

1. Insert shelf brackets into the corresponding holes at desired level.
2. Align the bottom slots of each glass shelf with the corresponding pegs. Push down to secure.



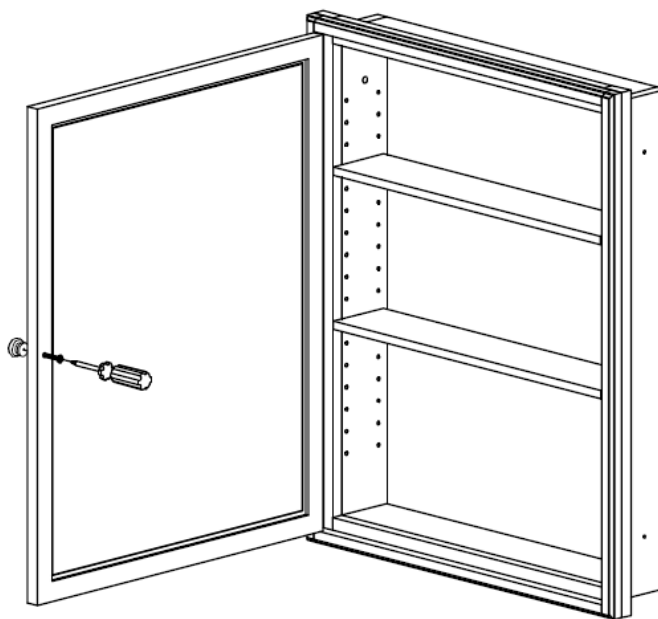
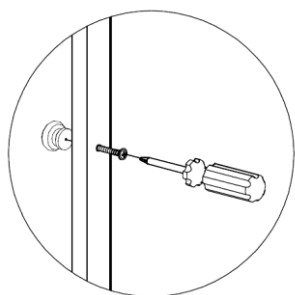
### Knob Installation:

#### 1. Removal:

Hold the door knob. Using a screwdriver, unscrew the screw by turning in a counter-clockwise direction.

#### 2. Installation:

Hold the door knob at the pre-drilled hole. Using a screwdriver, attach the knob with the screw by turning in a clockwise direction.



### Care Instructions:

- Wipe cabinet with a soft, dry cloth.
- Avoid cleaners and abrasives as they may damage finish.
- Use a small amount of glass cleaner and a soft cloth to clean glass shelves.

Thank you for your purchase

stores | catalog | [www.potterybarn.com](http://www.potterybarn.com)