

# POTTERY BARN

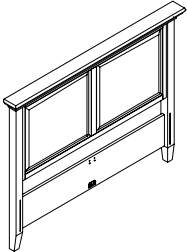
## Hudson Full Bed Assembly Instructions

### Pre-Assembly:

- Please read all instructions carefully before assembly.
- For your safety and ease to assemble the products by two people is recommended.
- Carefully lay out and identify all parts and hardware prior to assembly.
- Save all packing materials until assembly is complete to avoid accidentally discarding small parts or hardware.

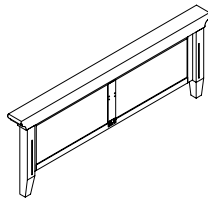
### Parts Included:

#### □ **BOX 1:**



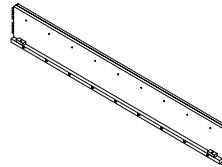
A. Headboard (1pc)

#### □ **BOX 2:**



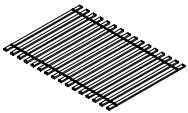
B. Footboard (1pc)

#### □ **BOX 3:**



C. Siderails (2pcs)

#### □ **BOX 3:**



D. Slat roll (1pc)

### Hardware included:

- (1) Allen Key (E and J)
- (32)#8x30mm Phillips head screws (F)

### Tools Needed:

- Philips screwdriver (not provided)

### Assembly Instructions:

1. Determine the desired height of the side rail lips. The lips have been pre-attached to the lower position (box spring level) on each side rail. Fig. 3. Note: Lips may be adjusted to the higher position (platform level – makes box spring optional) by removing the Allen bolts and re-attaching lips to the higher set of pre-drilled holes. Fig. 4. Tighten with Allen Key (J).
2. Attach each side rail hooked end to into the corresponding slots of the Headboard and Footboard. Be sure the ledges of the side rails are facing inward. Fig. 1.
3. Place slat roll on side rail ledges and roll out so the pre-drilled holes on the end slat line up with the pre-drilled holes on the side rail ledges. (Binding should face UP). Attach the cross-slats in place by inserting the 32 phillips wood screws (F) and tightening with Phillips screwdriver. Box spring level assembly is complete. Fig. 2.

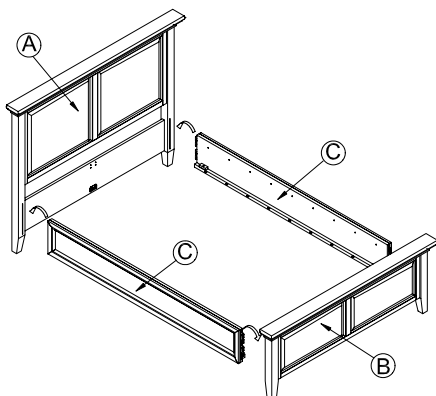


Figure #1

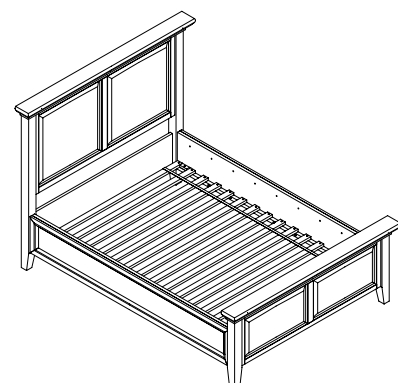


Figure #2

**For platform level:**

1. Adjust side rail lips to the higher position (platform level) by removing the pre-attached Allen bolts (L) and re-attaching lips to the higher set of pre-drilled holes. Fig. 4. Tighten with Allen Key (E).
2. Attach each side rail hooked end to into the corresponding slots of the Headboard and Footboard. Be sure the ledges of the side rails are facing inward.
3. Place slat roll on side rail ledges and roll out so the pre-drilled holes on the end slat line up with the pre-drilled holes on the side rail ledges. (Binding should face UP). Attach the cross-slats in place by inserting the 32 phillips wood screws (F) and tightening with Phillips screwdriver. Platform level assembly is complete. Fig. 5.

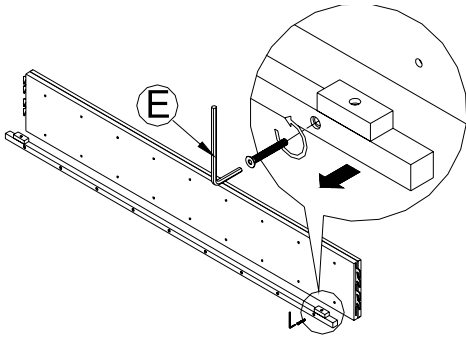


Figure #3

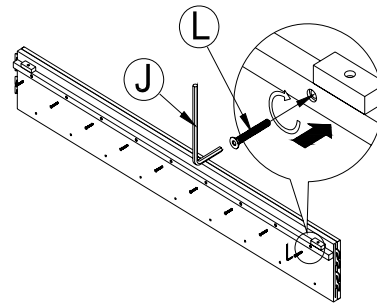


Figure #4

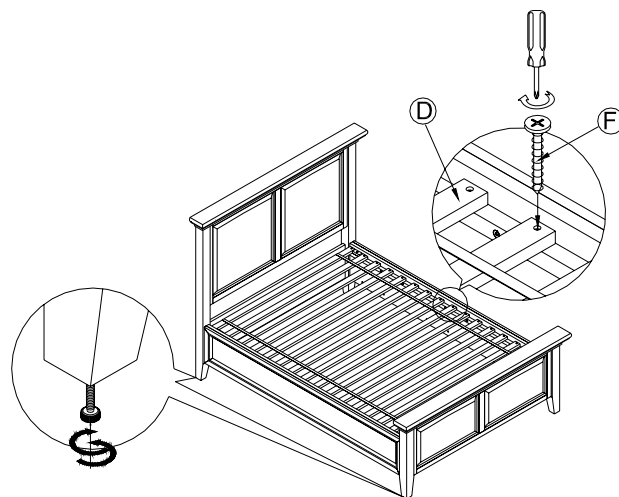


Figure #5

Note: If the floor is uneven, adjust the recessed levelers found pre-attached to the leg bottoms: Using two people, carefully grasp one side of the bed and elevate it slightly to provide access to levelers. Turn the levelers until adequate contact will be made with the floor. Carefully set the bed down. Repeat until the bed sits level and is stable. Fig. 5.

**Care Instructions:**

- To clean, wipe with a soft damp cloth. Always avoid the use of chemical and abrasive cleaners.
- Wipe spills immediately.

thank you for your purchase  
stores | catalog | [www.potterybarn.com](http://www.potterybarn.com)