

P O T T E R Y B A R N

Blaine Single Sconce

Important Safety Instructions:

- These instructions are provided for your safety. It is very important that they are read carefully and completely before assembling fixture.
- We strongly recommend that a professional electrician install all direct wired fixtures.
- This fixture has been rated for up to (1) 60-watt maximum TYPE B candelabra bulb (not included). To avoid the risk of fire, do not exceed the recommended wattage.

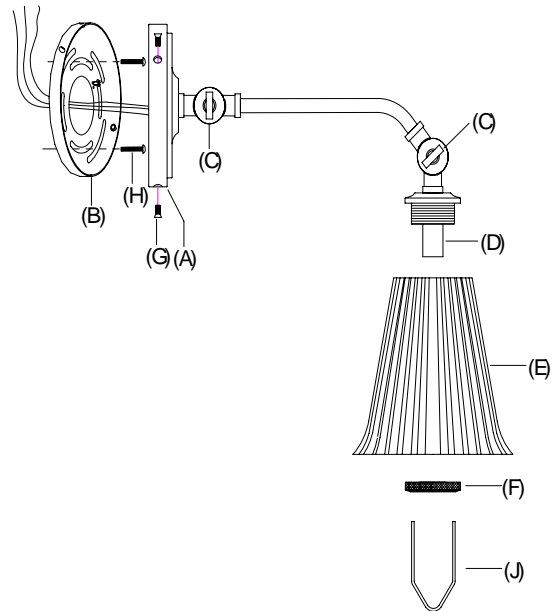
WARNING: This lighting fixture contains lead, a chemical known to the State of California to cause cancer, birth defects and other reproductive harm. Wash hands after installing, handling, cleaning or otherwise touching this light fixture.

Parts Included:

- Lighting fixture (A) including:
- (1) Mounting plate (B)
- (2) Adjustment keys (C)
- (1) Socket (D)
- (1) Ceramic shade (E)
- (1) Socket ring (F)

To Install You Will Need:

- Phillips screwdriver/Flat screwdriver
- (3) Plastic wire connectors (Enclosed)
- Electrical tape



Hardware Included:

- (3) Base screws (G)
- (2) Mounting plate screws (H)
- (1) "V" shape fork (J)

Pre-assembly:

- Remove all parts and hardware from box along with any plastic protective packaging and lay the items out on a clear work surface.
- Do not discard any contents until assembly is complete to avoid accidentally discarding small parts or hardware.

To Assemble:

1. SHUT OFF THE MAIN ELECTRICAL SUPPLY FROM THE MAIN FUSE BOX/CIRCUIT BREAKER!
2. Remove the mounting plate (B) from the fixture base (A) by unscrewing the base screws (G).
3. Gently pull the wiring from the wall outlet box and allow the wires to hang. Thread the wires through the center hole in the mounting plate.
4. Affix the mounting plate (B) to the wall outlet box with the mounting plate screws provided (H).
5. Wrap the ground wire (green) around the ground screw found on the mounting plate or connect it to the ground wire found in the wall outlet box (usually green or copper in color). If attaching to ground wire in outlet box, fasten together with a plastic wire connector and tightly wrap the connection with electrical tape to seal the connector.
6. IT IS IMPERATIVE THAT THE OUTLET BOX IN YOUR HOME BE PROPERLY GROUNDED.
7. Connect the neutral (white) fixture wire to the neutral (usually white) outlet wire. Fasten together with a plastic wire connector and tightly wrap the wire connector with electrical tape.
8. Repeat this procedure with the hot (black) wires. Always make sure that no wire strands are left outside the connectors. DO NOT REVERSE THE HOT AND NEUTRAL CONNECTIONS OTHERWISE SAFETY WILL BE COMPROMISED.
9. Attach the fixture base (A) to the affixed mounting plate (B) by aligning the holes and inserting the base screws (G). Tighten with a screwdriver.
10. Remove socket ring (F) from threaded socket (D).
11. Place ceramic shade (E) over threaded socket (D) until the socket protrudes through the opening of the shade.
12. Secure ceramic shade (E) by re-attaching the socket ring (F) to threaded socket (D). Insert the "V" shaped fork (J) into both small holes on the threaded socket ring (F) and turn clockwise to tighten. Insert bulb (not included).

To Adjust the Light Fixture:

- Loosen adjustment keys (C) by turning counter-clockwise. Adjust arm and shade to desired position.
- Tighten adjustment keys (C) by turning clockwise.

Care Instructions:

- Wipe with soft, dry or slightly damp cloth. Avoid the use of harsh chemicals and abrasives as they may damage the finish.