

# POTTERY BARN

## Florence Paper holder

*Note:* For safe mounting, it is essential to use the proper hardware for your wall type. Be sure to consult your local hardware store to determine the hardware needed for your wall type (plaster, drywall, concrete, etc.). Mount to wood studs whenever possible. Note for stud mounting the anchors are not required, use only the screws.

### *Parts Included:*

- 1 Mounting plates
- 2 Screws
- 2 Drywall anchors
- 1 Mounting brackets
- 1 Hex screw
- 1 Allen Wrench
- 1 TP Holder

### *Mounting Instructions:*

1. Hold fixture against the wall to determine desired location. Mark location of the screw holes with a pencil.
2. Remove from wall. Use a carpenter's level or measure up from the floor at each mark to be sure the bracket will be level.

### *Dry Wall Mounting*

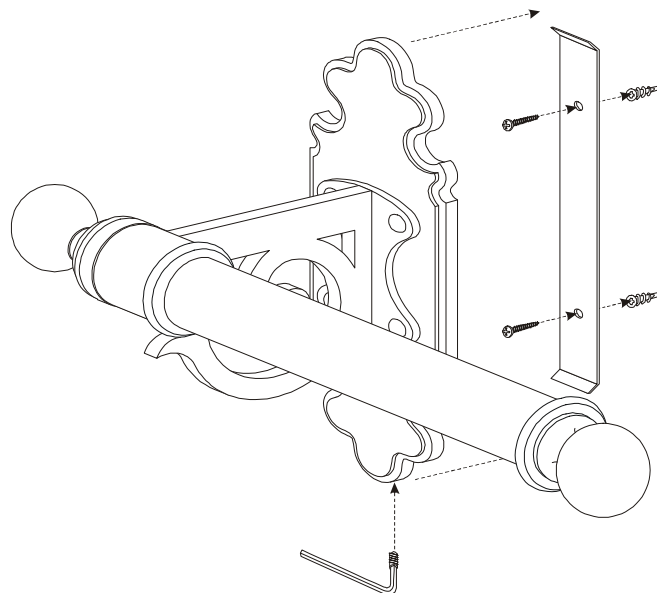
1. Use a Phillips screwdriver to insert the wall anchors, slowly turn the anchors until they are threaded into the wall.
2. Align the mounting plate on the wall over the anchors, and insert screws with Phillips screwdriver until tight (*caution. do not over tighten the screw*).
3. Slide toilet paper holder onto mounting plate.
4. Secure by tightening hex screw with Allen wrench.

### *Stud Mounting*

1. With a Phillips screwdriver (or drill) insert metal screws over the mounting plate and into the stud turning clockwise.
2. Slide mounting bracket onto mounting plate, secure by tightening small hex screw with Allen wrench.

### *Care Instructions:*

Wipe with a soft, dry cloth. To protect the finish, do not use household cleaners or abrasives.



*thank you for your purchase*  
store | catalog | [www.potterybarn.com](http://www.potterybarn.com)