

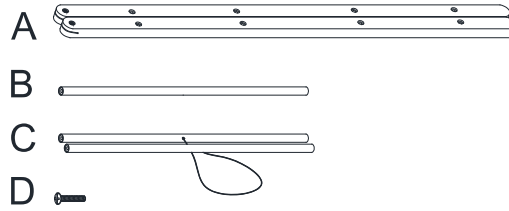
# POTTERY BARN

## Outdoor Collapsible Towel Rack

Assembly Instructions

### Parts & Hardware List:

- A. (2) Wood Stand
- B. (6) Upper Rod
- C. (1) Bottom Rods (with connecting chains)
- D. (16) Bolt



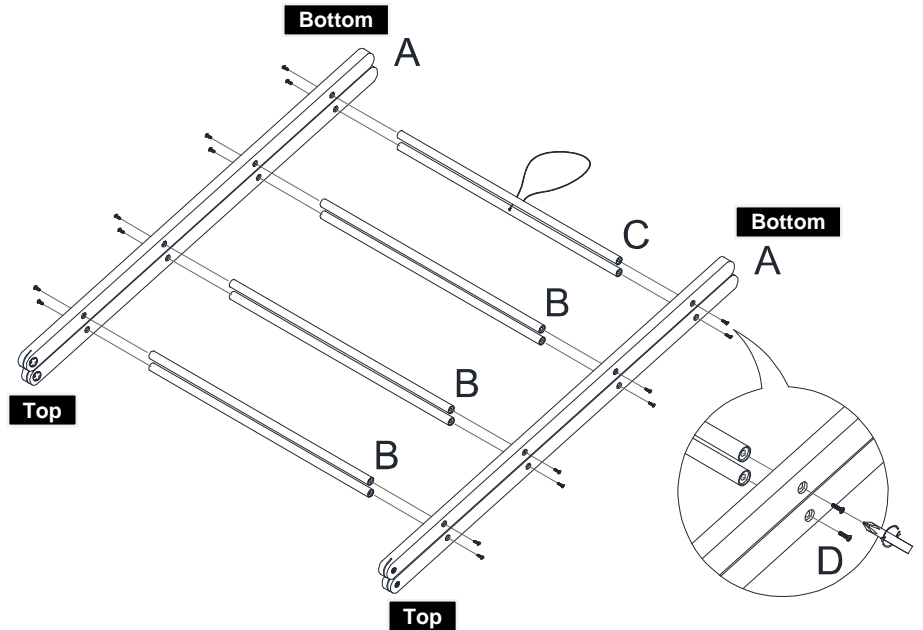
**Tools Required:** Phillips Screwdriver

### Pre-assembly:

- Please read all instructions carefully before getting started.
- Remove all parts and hardware from carton box and lay them out on a clear workspace.
- Do not discard any contents until after assembly / installation is completed to avoid accidentally discarding small parts or hardware.
- Assemble this item on a flat, protected surface.
- The use of power tools to aid in assembly is not recommended.
- The illustrations provided allow for easier assembly when used in conjunction with the assembly instructions

### ASSEMBLY INSTRUCTIONS:

1. Place the two Wood Stands (A) oppositely on a flat surface as shown (make sure the top ends of the stands are on the same side).
2. Position Upper Rods (B) and Bottom Rods (C) between the wood stands and inserting into each aligned hole at the stand, see the diagram illustrated.
3. Insert a Bolt (D) from the outside of the stand and connecting to the rods. Tighten each bolt one by one with a Phillips screwdriver.
4. Position the assembled towel rack upright and expand the bottom of the towel rack as shown. It's ready for use now.



**Maximum total weight capacity for this product is 60 pounds (27.2 kg), (10 pounds (4.5 kg) maximum per rod).**

### Care Instructions:

- Wipe with a soft, dry cloth.
- Do not use abrasive or strong chemical household cleaners.

Thank you for your purchase!  
Stores | catalog | [www.potterybarn.com](http://www.potterybarn.com)

