

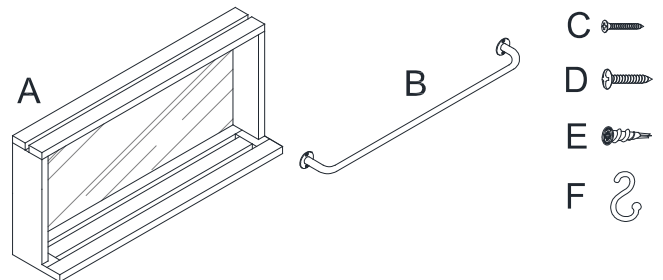
POTTERY BARN

Outdoor Mirror Shelf with Hooks

Assembly & Mounting Instructions

PARTS & HARDWARE LIST:

- A. (1) Mirror Shelf
- B. (1) Metal Rod
- C. (4) Wood Screw (short)
- D. (3) Mounting Screw (longer)
- E. (3) Drywall Anchor
- F. (4) "S" Hooks
Mounting Template



The provided mounting hardware (D, E) are meant for drywall or stud mounting only. If your wall is made from concrete, brick or plaster, please consult your local hardware store for assistance.

Tools Required:

Phillips Screwdriver, Pencil, Level, Stud Finder.

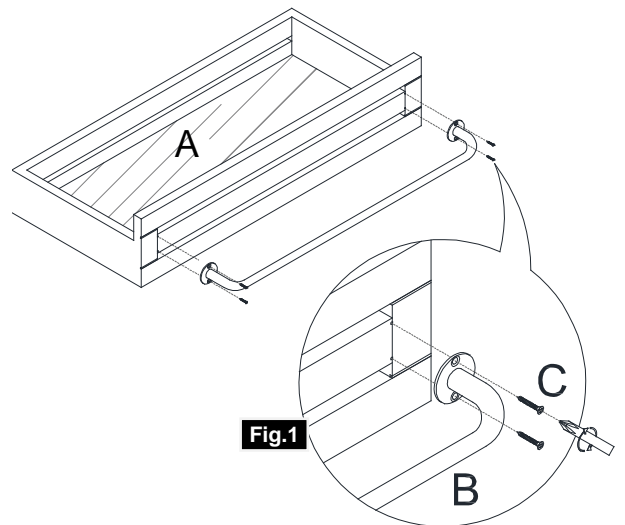
Maximum total weight capacity for this product is 30 pounds (13.6 kg), (5 pounds (2.3 kg) maximum per hook).

Pre-assembly:

- Please read all instructions carefully before getting started.
- This item is shipped unassembled. Assembly should be done prior to mount the item to the wall.
- Remove all parts and hardware from carton box and lay them out on a clear workspace.
- Do not discard any contents until after assembly / installation is completed to avoid accidentally discarding small parts or hardware.
- The use of power tools to aid in assembly is not recommended.
- The illustrations provided allow for easier assembly when used in conjunction with the assembly instructions.

ASSEMBLY INSTRUCTIONS:

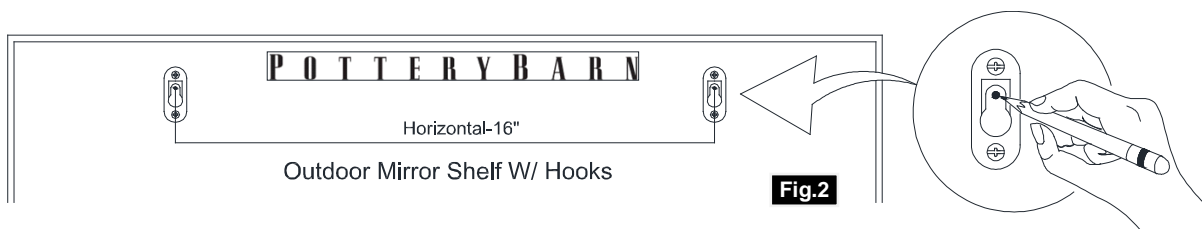
Lay the Mirror Shelf (A) on a flat surface. There are four pre-bored pilot holes located at the bottom of the shelf. Attach the Metal Rod (B) to the bottom of the shelf aligning with the pilot holes. Use a Phillips screwdriver to secure a provided Wood Screw (C) through each hole of the metal rod and rotating clockwise until tight. (see **Fig.1**)



MOUNTING INSTRUCTIONS:

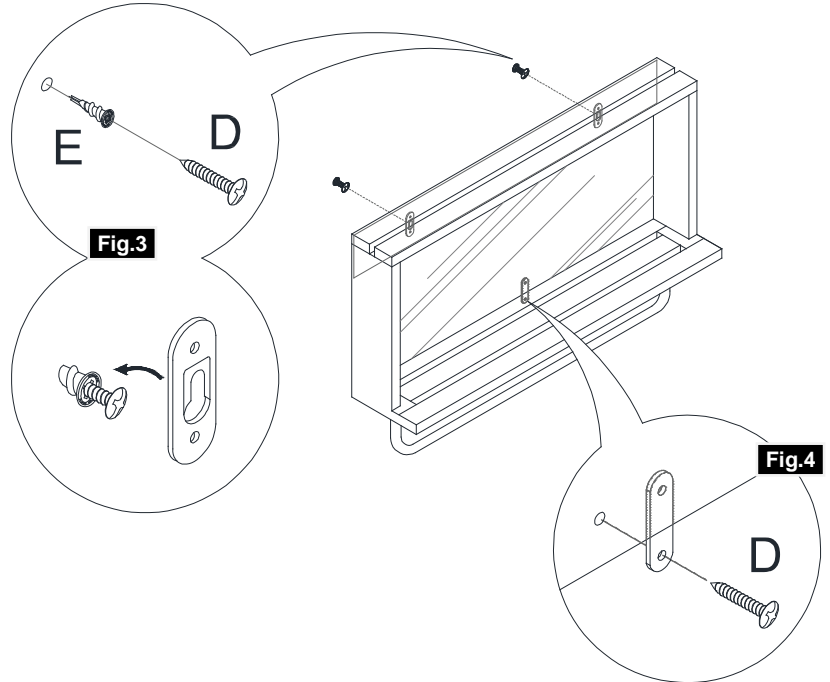
This item includes two keyhole plates on the back for supporting it against a wall. We have included a paper mounting template with this item to help you easily locate the insertion points of mounting hardware on the wall.

- 1) Position the provided paper template at a desired mounting location on wall. Use a level to ensure that the template is level and then secure it to the wall using tape or tacks. Use a sharp pencil to mark the wall by piercing the template at the two black dots located inside each keyhole, as **Fig.2** shown. Then remove the template from the wall.



- 2) Use a stud-finder to determine if any mark of Step #1 happens to align with a wall stud or not.
- 3) Install the appropriate mounting hardware at each mark following below:
 - For marks aligning with a wood stud, use a screwdriver to secure a Screw (D) directly into the wall at that mark. Rotate the screw clockwise until the screw head resides about 3/8 inch from the wall.
 - For marks that do not align with a stud, first install an Anchor (E) at each mark. To install the anchor, use a Phillips screwdriver to engage an anchor and then position the anchor tip against the wall at one of the marks. Rotate the anchor clockwise as you firmly push it into the wall. Continue rotating until the anchor's head becomes even with the wall surface – do not over-tighten the anchor. Then insert a Screw (D) into each installed Anchor (E) and use the screwdriver to rotate the screw clockwise until the screw head resides about 3/8 inch from the wall. (see **Fig.3**)

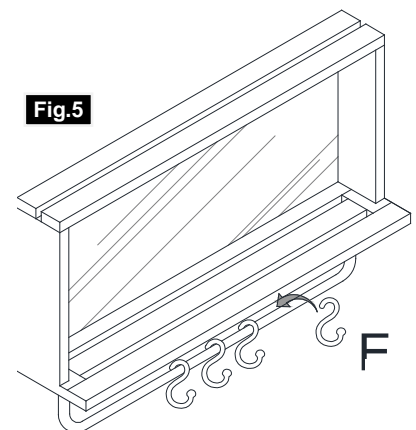
- 4) Position the item against the wall and engage the two keyholes with the protruding screw heads so that the item is supported by the screws. Gently push the item down to ensure the keyholes are engaged into place.



Secure the Tie-Down Plate to the Wall (Optional)

A tie-down plate is provided with the item to help prevent accidentally bumping the secured item off the engaged Keyholes and to further hold the item to the wall.

- 5) Rotate the tie-down plate located on the bottom of product to vertical position, as **Fig.4** shown. Mark the wall through the screw hole of the plate. Rotate the plate aside and refer to Step #3 to install a last anchor at this mark if no stud aligned. Once installed, return the tie-down plate so that the hole in the plate aligns with the installed anchor (or stud mark). Use a screwdriver to secure a screw through the plate and into the wall.
- 6) Hang the “S” Hooks (F) onto the metal rod as **Fig.5** shown. Installation done!



Care Instructions:

- To clean the mirror frame, wipe with a soft, dry cloth. Do not use abrasive or strong chemical household cleaners.
- A household glass cleaner may be used for the mirror surface – spray the cleaner on a clean cloth first and then use the cloth to clean the mirror.

Thank you for your purchase!
Stores | catalog | www.potterybarn.com