

POTTERY BARN

Ashland Hook Assembly Instructions

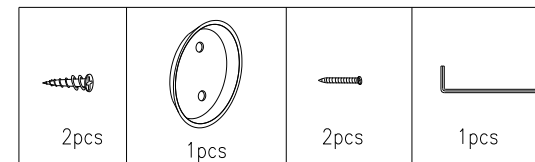
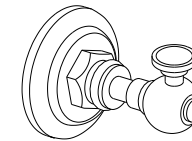
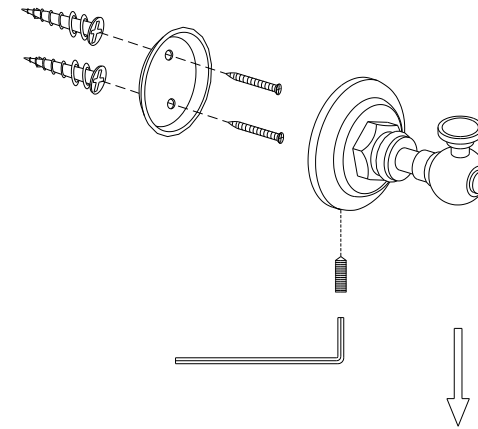
Note: For safe mounting, it is essential to use the proper hardware for your wall type. Be sure to consult your local hardware store to determine the hardware needed for your wall type (plaster, drywall, concrete, etc.). Mount to wood studs whenever possible. Note: For stud mounting the anchors are not required, use only the screws.

Parts and Hardware Included:

2pcs	Dry wall anchors	2pcs	Dry wall screws
1pc	Mounting plate	1pc	Wall hook
1pc	Allen wrench		

Mounting Instructions:

1. Hold mounting plate at desired location. With a pencil, mark on the wall the screw hole location. These marks will be used to determine the location of your mounting hardware.
2. Remove mounting plate. Use a carpenter's level or measure up from the floor at each mark to ensure hook will be level.
3. Use a Phillips screwdriver to insert the dry wall anchors. Do not "push" or drive the anchor into the wall, it is designed to bore into the wall like a drill bit. Slowly turn the anchor clockwise while applying pressure until the flange just touches the wall. Keep turning clockwise until one of the arrows on the flange is pointing to the 12 o'clock position.
4. Insert the screws into the anchors separately turning clockwise. At this point, you will feel a slight resistance. This is the point where the screw is engaging the pivoting portion of the anchor. Keep turning screw clockwise until the screw head touches the flange. Tighten the screw until it becomes difficult to turn. At this point the internal pivot will have engaged the backside of the dry wall. Remove the screw turning counter-clockwise.
5. Align the mounting plate over the anchors, and re-insert screws with Phillips screwdriver until tight.
6. Place hook onto mounting plate, tighten pre-assembled hex screw with Allen wrench.



Note: Do not load more than 20lbs on single hook.

Care Instructions:
Wipe with a soft, dry cloth. To protect the finish, do not use household cleaners or abrasives.

thank you for your purchase
stores | catalog | www.potterybarn.com