

P O T T E R Y B A R N

Harvest Sink console double Assembly instruction

- Please read all instructions before beginning assembly.
- For your safety and convenience, assembly by two people is recommended.
- Use the parts and hardware lists to identify and separate each of the component included.
- Save all packing materials until assembly is completed to avoid the accidental discarding of smaller parts or hardware.

Parts Included (Box 1):

- (1) Console (A)
- (4) Legs (B)
- (1) Middle leg (C)
- (1) Marble top (D)
- (2) Sink (E)
- (1) Marble splash(F)

Hardware Included (Box 1):

- (16) Nuts: diam 8mm (G)
- (16) Spring washers: diam 8mm (H)
- (8) bolt: diam 8mm (I)
- (8) L contacted plane(J)
- (1) Wrench (K)

Assembly instructions:

1. Carefully place the console (A) upside down on carpeted or scratch-free surface.
2. Insert the bolt of leg(B) into the pre-drilled post, tighten them deasily . Repeat the step for the remaining legs.
3. Then insert the bolt of middle leg(C) into the pre-drilled rail in the middle of console and tighten it deasily. (See Fig.1.).

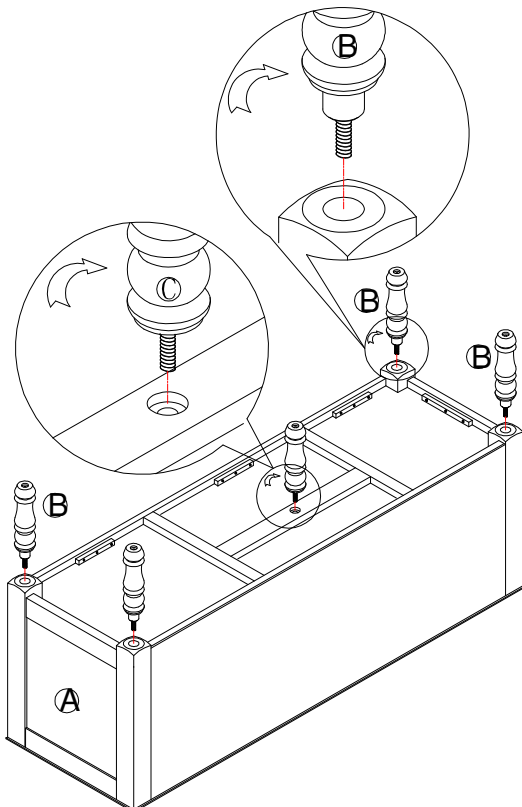


Fig. 1

4. Put the marble top (D) upside down on carpeted or scratch-free surface., put the sink(E) in place. insert the metal bolt (I) with spring washers(H) and nut(G) into the pre-drilled hole under the backside of marble top and attach the sink to marble top by using the L contacted plane(J) , spring washers (H), and nuts (G)., tighten the nut deasily. with the enclosed wrench (K). (See Fig.2.)

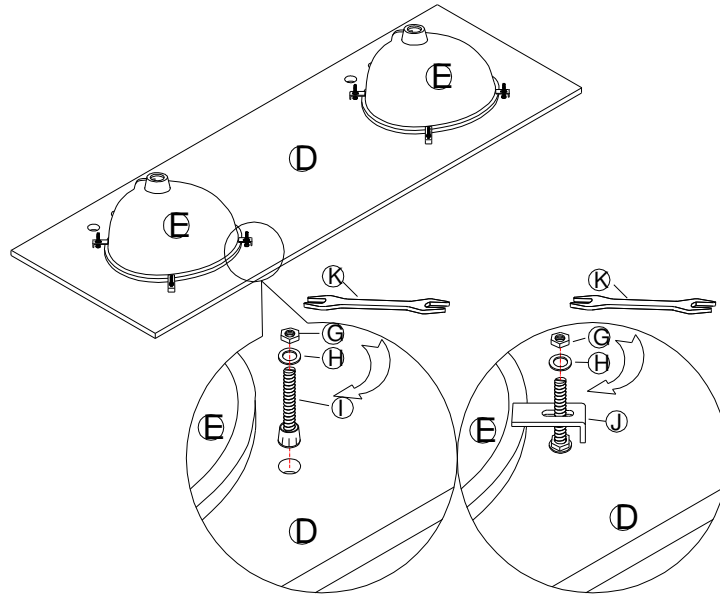


Fig.2

5. Repeat step 4 for the remaining metal bolts(D).
6. Turn the marble top up and put it on the console.. Then put the splash on the place of marble top and glue it..(See fig.3)
7. Assembly is completed.

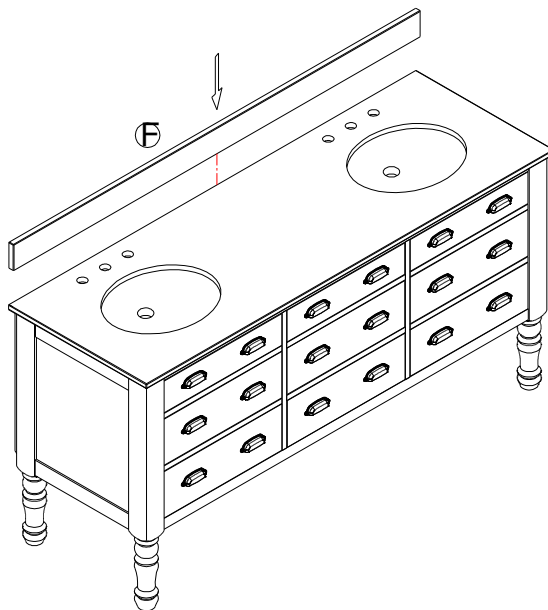


Fig.3

Adjusting Levelers:

Due to an uneven floor the furniture may not sit level due causing it to wobbles. If the piece wobbles, determine which corner does not touch the ground correctly. With two people follow these steps:

1. Carefully elevate the item slightly to provide access to the levelers attached to the bottom. (Fig.4).
2. Turn the levelers until adequate contact will be made with the floor. Gently set down the piece and check stability.
3. Repeat steps until furniture sits firmly on the ground.

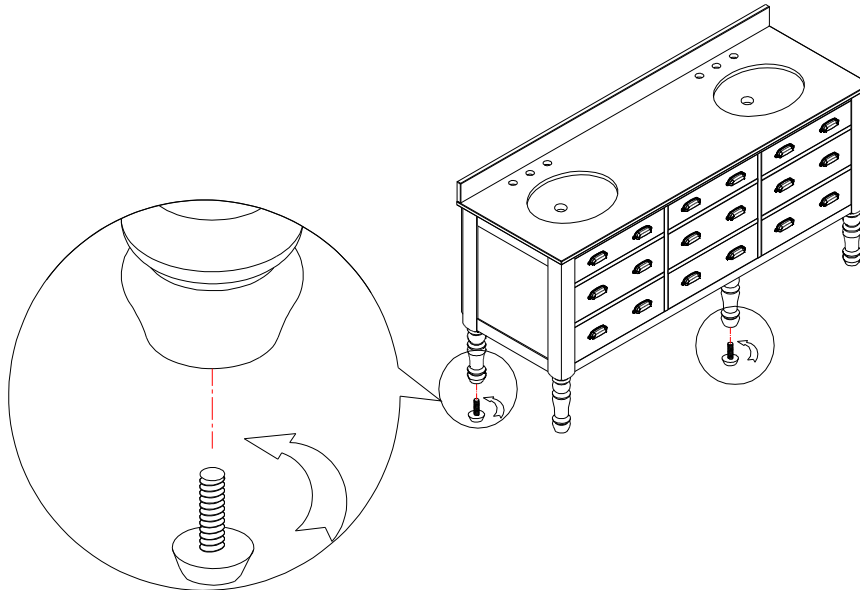


Fig.4

Care Instructions:

- Dust with a clean, soft damp cloth and wipe dry immediately.
- Avoid the use of chemicals and harsh cleaning agents.

thank you for your purchase
stores | catalog | www.potterybarn.com